
TECHNICAL SPECIFICATIONS

Heat Recovery Ventilator (HRV)

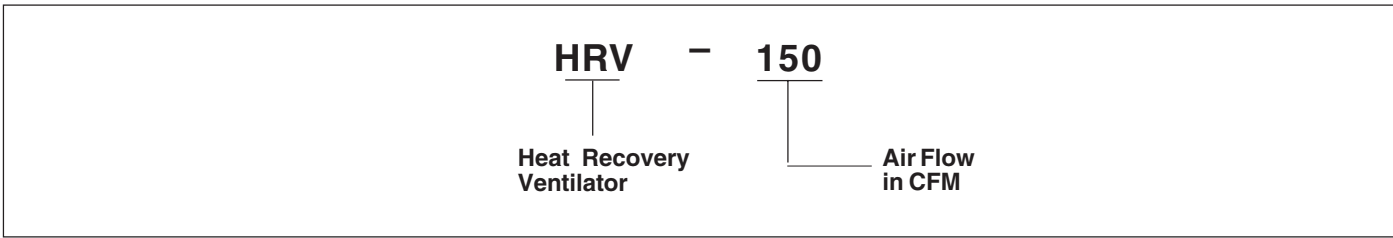
The NORDYNE Heat Recovery Ventilator is an air-to-air heat exchanger designed to exhaust stale air and supply fresh air to the conditioned space. It recovers sensible heat from the exhaust air and transfers this heat to the supply air. The HRV is especially suited for homes with excess humidity during the heating season, and is available in 150 CFM and 210 CFM sizes. The NORDYNE HRV is recognized for unsurpassed quality and superior craftsmanship. It is guaranteed to satisfy the homeowner looking for durability, reliability and performance.



STANDARD FEATURES

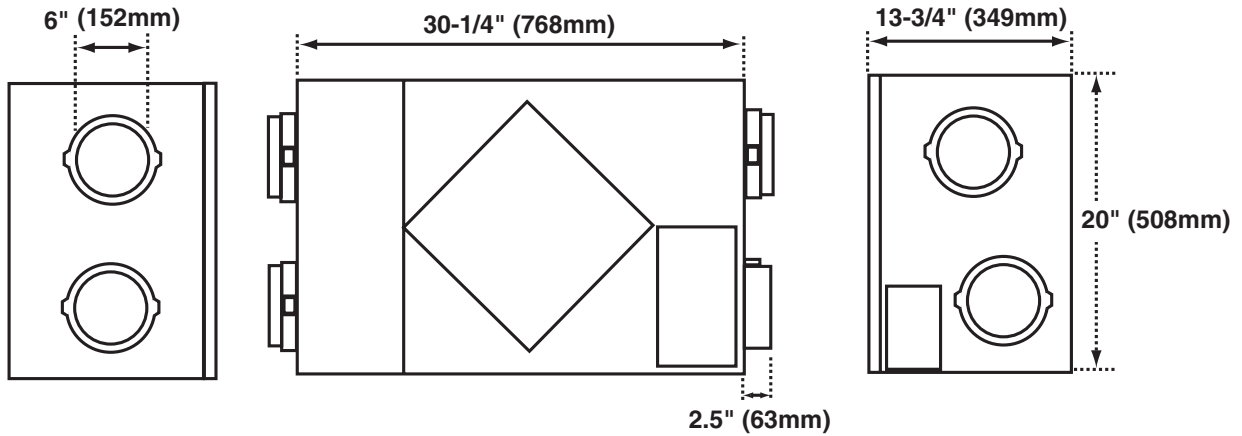
- Exclusive convertible core from an HRV to an ERV.
 - Integrated Balancing Dampers.
 - All parts removable in 5 minutes.
 - Defrost failure protection system designed to protect against damper malfunction
 - Reinforced 20 Ga. pre-painted steel cabinet.
 - Improved sliding system for core insertion
 - Deeper one piece condensation tray to prevent water leakage.
 - Aluminum framed foam filter.
 - 1 inch fiberglass insulation.
 - External electrical access on side panel.
 - Polypropylen core material.
 - UL/CUL listed.
 - HVI Certified.
 - Standard 5 year limited parts only warranty.
 - System Warranty if sold with a matched NORDYNE system.
-

MODEL IDENTIFICATION CODE

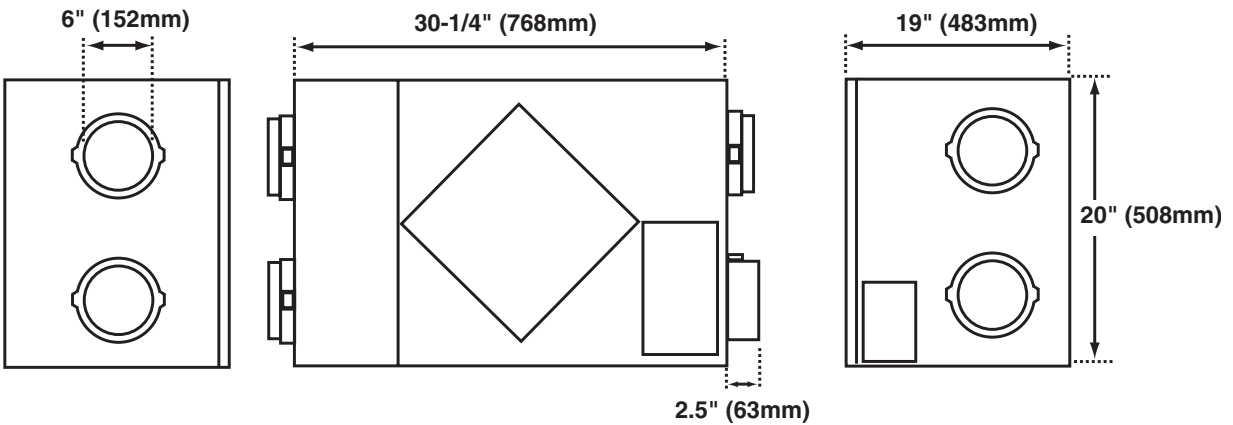


DIMENSIONS

HRV-150

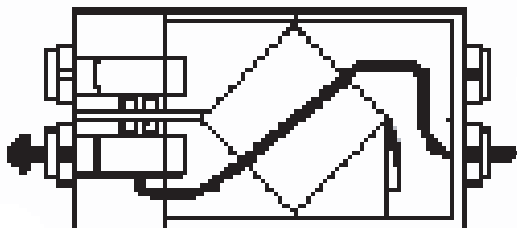


HRV-210



No Negative Pressure Defrost

Defrost system ensures that no negative pressure is created by air exhausted to outside. Ambient air is recirculated into the house.



Outside Temperature		Defrost Cycle Defrosting Min/ Operating Min.
°C	(°F)	
Warmer than -5°C	Warmer than 23°F	No defrost
-5 to -30	23 to -22	6/32
-30 & colder	-22 & colder	6/20

SPECIFICATIONS AND RATINGS

Specifications and Ratings	HRV-150	HRV-210
Assembled Weight with Core:	65 lbs	73 lbs
Supply Air Duct Connection:	6" diameter	6" diameter
Exhaust Air Duct Connection:	6" diameter	6" diameter
Drains:	1/2" fittings	1/2" fittings
Filter (size):	30 ppi washable reticulated foam 11.75"x12.87"x0.75"	30 ppi washable reticulated foam 11.75"x16.75"x0.75"
Cabinet:	20 Ga. Pre-painted steel	20 Ga. Pre-painted steel
Insulation:	1.00" aluminum foiled faced fiberglass and EPS (Expended Polystyren)	1.00" aluminum foiled faced fiberglass and EPS (Expended Polystyren)
Mounting:	Chain and hardware provided to suspend unit	Chain and hardware provided to suspend unit
Supply and Exhaust Blower Motors:	120V/60Hz/1Ph 1/12 HP RPM: 1660/1300/1050 sleeved bearings PSC Type	120V/60Hz/1Ph 1/7 HP RPM: 1660/1300/1050 sleeved bearings PSC Type
Recovery Core Surface Area:	120 sqft	166 sqft
Recovery Core Material:	Polypropylene	Polypropylene

ELECTRICAL DATA

Models	Voltage/Hertz/Phase	Maximum Fuse Size (Amp) Branch Circuit	Control Circuit Voltage	NORDYNE Part Number
HRV-150	120/60/1	15A	5V DC	918715
HRV-210	120/60/1	15A	5V DC	918716

ACCESSORY KITS

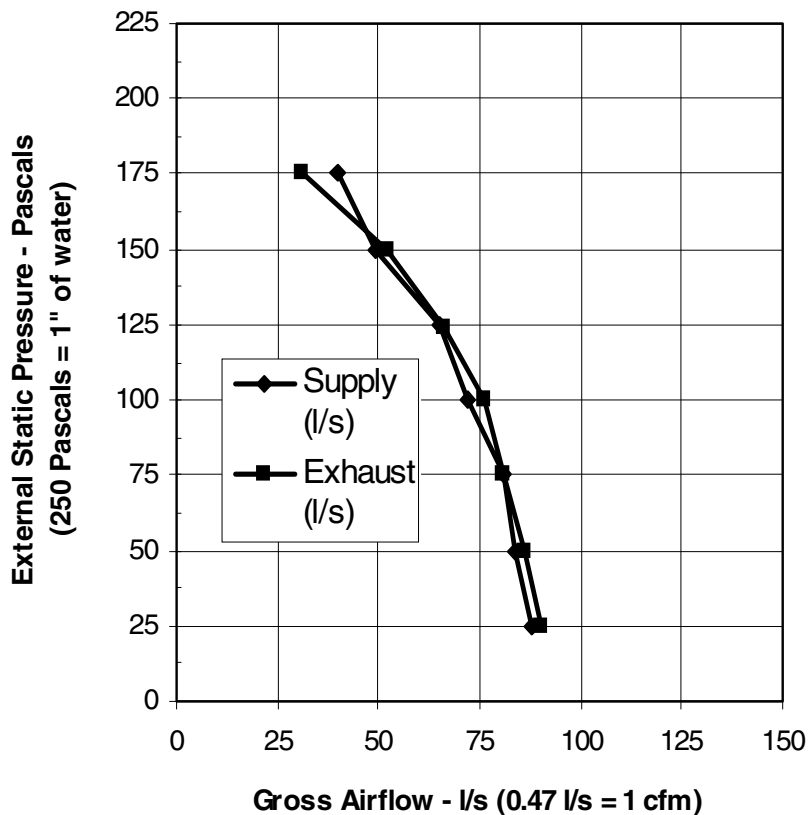
Description	NORDYNE Part Number
Basic Wall Control HRV/ERV	918719
Electronic Wall Control HRV/ERV	918720
Push Button 20/40/60 HRV/ERV	918721
Air Intake 6D X 9 X 9 With Duct	918722
Balancing Kit 0.5" H2O	918723

PERFORMANCE HRV-150

VENTILATION PERFORMANCE HRV-150

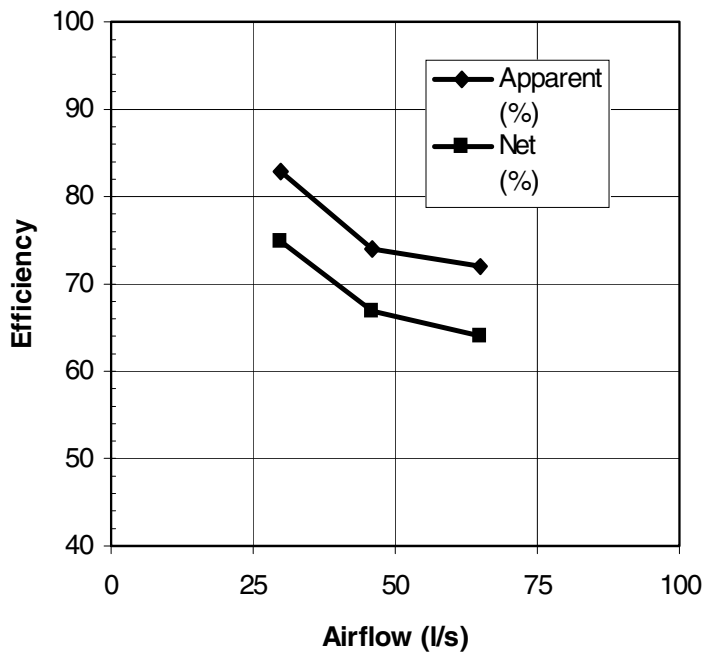
External Static Pressure		Net Supply Airflow		Gross Air Flow			
				Supply		Exhaust	
Pa	in. w.g.	l/s	cfm	l/s	cfm	l/s	cfm
25	0.1	84	177	88	186	90	190
50	0.2	80	169	84	178	86	182
75	0.3	77	163	81	171	81	171
100	0.4	69	146	72	153	76	161
125	0.5	61	130	65	137	66	139
150	0.6	46	98	49	103	52	110
175	0.7	38	81	40	85	31	67

Note: Unit operating at maximum speed.



ENERGY PERFORMANCE HRV-150

	Supply Temperature		Net Airflow		Average Power	Sensible Recovery Efficiency	Apparent Sensible Effectiveness	Latent Recovery Moisture Transfer
	°C	°F	l/s	cfm	Watts	%	%	
Heating	0	32	30	64	54	75	83	-0.03
	0	32	46	97	78	67	74	0.01
	0	32	65	138	124	64	72	-0.02
	-25	-13	26	55	62	67	89	0.05
			Total Recovery Efficiency					
Cooling	35	95	Not tested					

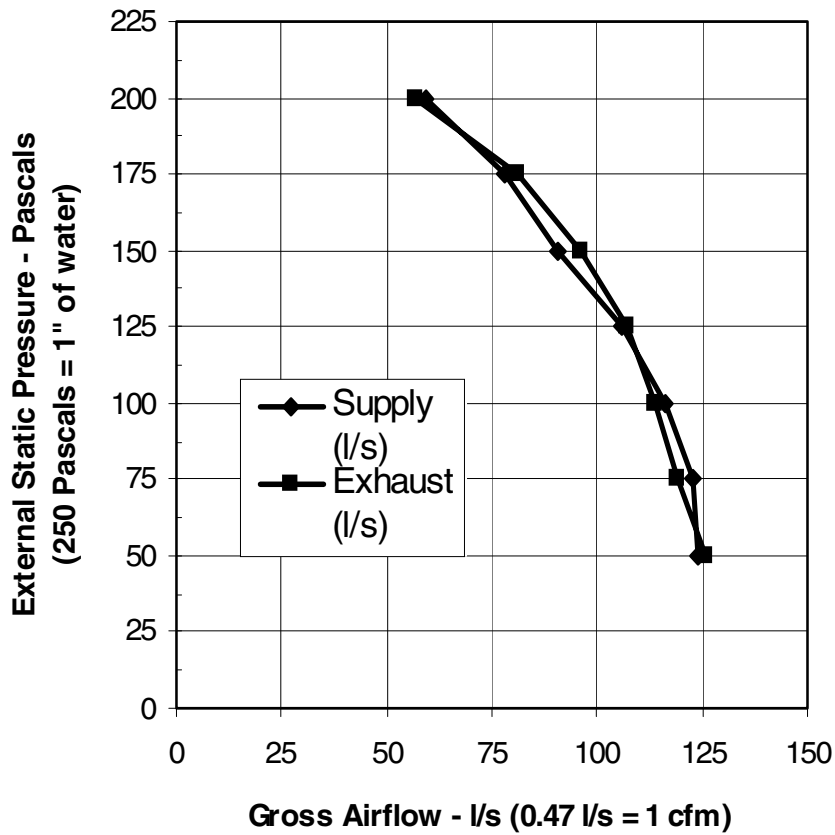


PERFORMANCE HRV-210

VENTILATION PERFORMANCE HRV-210

External Static Pressure		Net Supply Airflow		Gross Airflow			
				Supply		Exhaust	
Pa	in. w.g.	l/s	cfm	l/s	cfm	l/s	cfm
50	0.2	120	253	124	264	126	268
75	0.3	118	250	123	262	119	251
100	0.4	111	235	116	245	114	241
125	0.5	102	216	106	224	107	226
150	0.6	87	185	91	193	96	204
175	0.7	75	160	78	167	81	172
200	0.8	57	120	59	124	57	121

Note: Unit operating at maximum speed.



ENERGY PERFORMANCE HRV-210

	Supply Temperature		Net Airflow		Average Power	Sensible Recovery Efficiency	Apparent Sensible Effectiveness	Latent Recovery Moisture Transfer
	°C	°F	l/s	cfm	Watts	%	%	
Heating	0	32	51	109	92	70	77	-0.01
	0	32	73	155	128	65	72	-0.02
	0	32	102	215	191	62	70	-0.01
	-25	-13	52	110	104	60	94	0.05
			Total Recovery Efficiency					
Cooling	35	95	Not tested					

