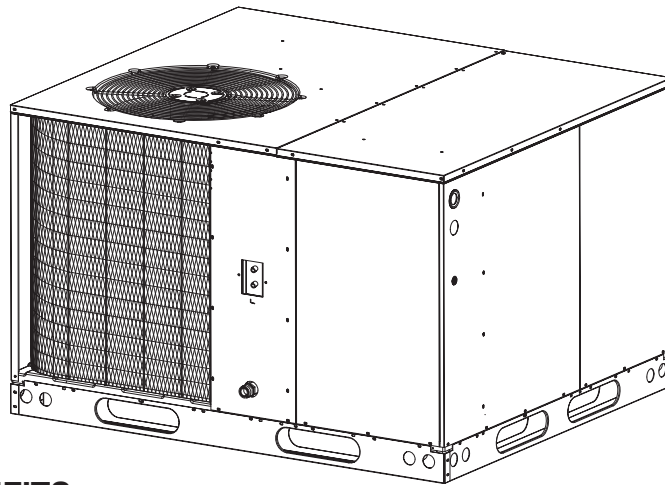


GQ4 Series

Three Phase Single Packaged Heat Pump (12 SEER)

GQ4SC-036C
GQ4SC-048C
GQ4SC-060C

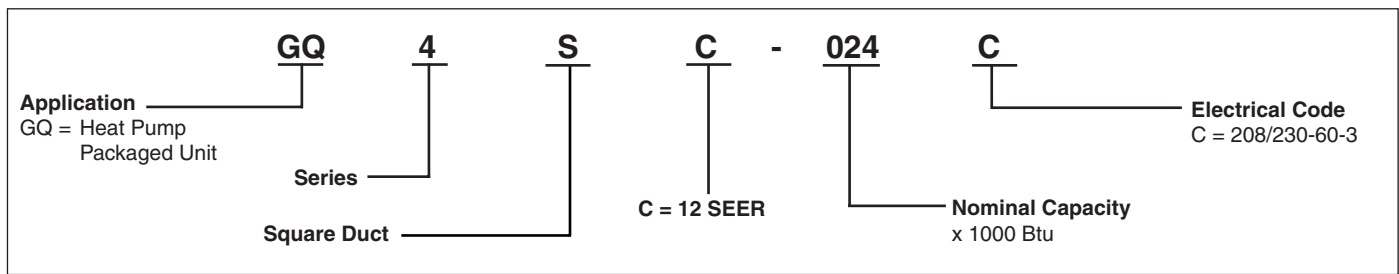
The GQ4 Series single packaged units are high efficiency self contained cooling and heating units that can be installed on a roof or on a slab. The convertible unit design makes installations simple in all applications. Units are ETL and ETLc listed. The unit is truly designed with the contractor and the consumer in mind.



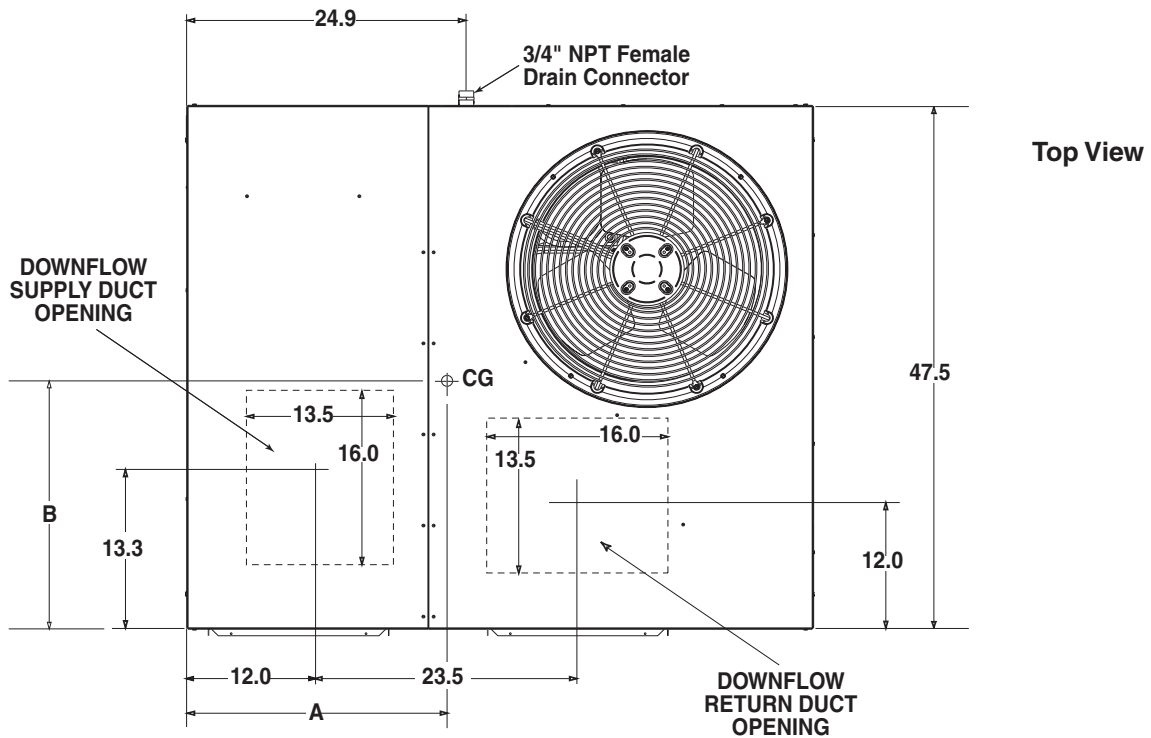
FEATURES AND BENEFITS

- **Compact Footprint/Low Profile**
Easy to handle and transport.
- **Heavy-Gauge, Full Perimeter Base Rails**
Facilitates forklift handling and curb mounting.
- **Convertible Air Delivery**
Horizontal or downflow to accommodate rooftop or horizontal application.
- **Galvanized Steel Cabinet**
with polyurethane finish provides 950 hour salt spray protection.
- **Plastic Mesh Hail Guard**
Will never rust and protect the coil from being damaged by balls, lawnmowers, hail etc.
- **Externally Accessible Service Ports**
Quick access to refrigerant system without disrupting operation.
- **Access to Controls and Major Components**
Easy in and out service.
- **Corrosion-Resistant Drain Pan**
Quickly drains away evaporator condensate.
- **Service Access Panels**
To all major components and the compressor. Designed to make servicing easier for the Contractor.
- **Factory Installed Filter Rack**
- **Easy to Install**
Electric heat strip provides up to 15 KW of heat output.
- **Proven, Industry Standard Components**
Easier service and availability.
- **Quiet Operation**
Low vibration.
20" fan blade combined with custom venturi condenser fan.
- **Accessories**
Roof curbs, economizers, fresh air dampers and more.
- **One Year Commercial Parts Warranty**
- **5 Year Limited Compressor Warranty**

MODEL IDENTIFICATION CODE



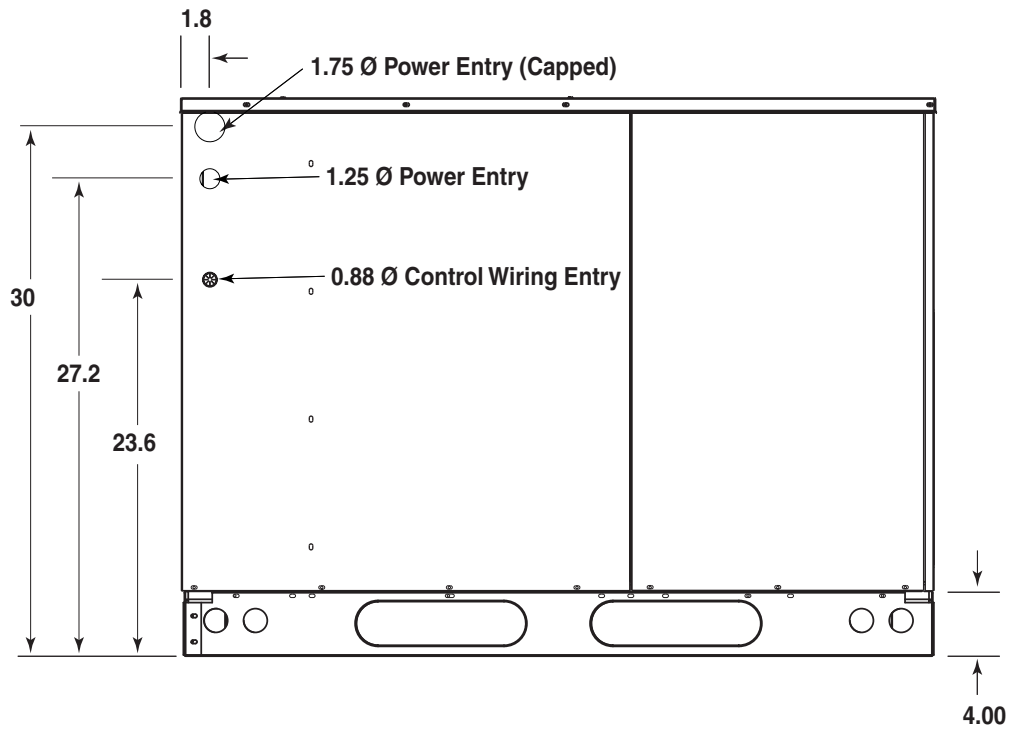
DIMENSIONS



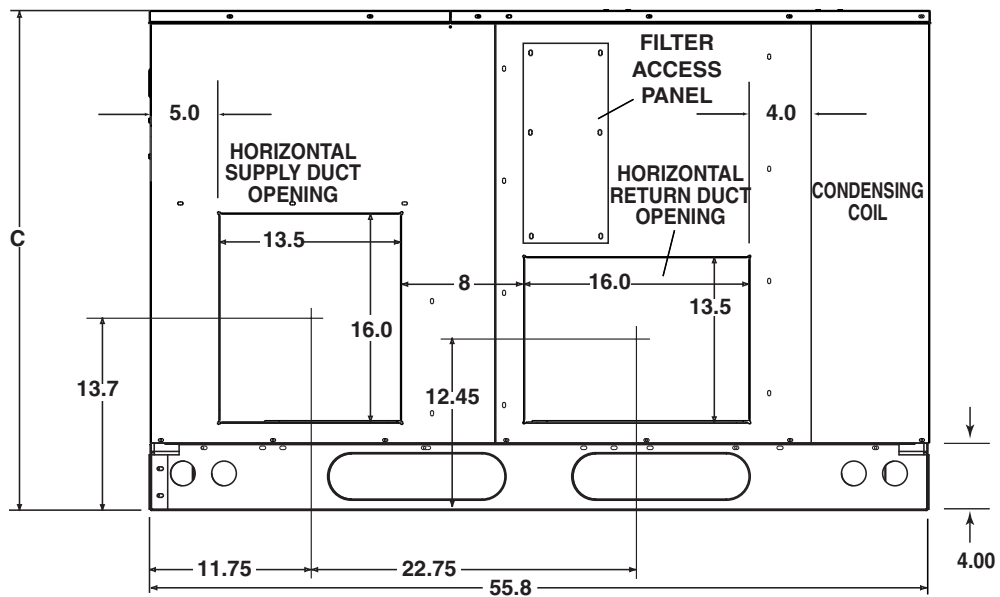
GQ4SC Models

Model Number GQ4SC-	Unit Weight	Center of Gravity		Height (in inches) C	
		A	B	w/ base rails	w/out base rails
036	450	28.0	26.0	35	31.3
048	560	29.5	26.5	39	35.3
060	570	29.5	26.5	39	35.3

DIMENSIONS (Continued)



Side View



Back (Duct) View

SPECIFICATIONS

GQ4SC Models

Model Number	GQ4SC-		
	036C	048C	060C
Performance			
Capacity - Heating BTUH	34,000	46,000	56,000
Efficiency - HSPF	7.2	6.80	7.2
Capacity -Cooling BTUH	36,000	46,000	59,000
Efficiency - SEER	12.00	12.00	12.00
EER (Btuh/watt)	10.70	10.20	10.30
Electrical Rating - 60 Hz			
Phase	3	3	3
Operating Voltage Range	187 - 253	187 - 253	187 - 253
Compressor Data			
Volts	208 / 230	208 / 230	208 / 230
Rated Load Amps	10.2	12.8	18.6
Lock Rotor Amps	75	91	128
Indoor Blower			
Type / No. of Speeds	DD / 3	DD / 3	DD / 3
Motor - HP / RPM	1/4 - 1100	1/2 - 1100	1/2 - 1100
Motor - Amps	1.3	3.1	3.1
Outdoor Fan			
Motor - HP / RPM	1/4 - 1100	1/4 - 1100	1/3 - 1100
Motor - Amps	1.2	1.2	1.5
Fan Diameter / CFM	20/3800	20/3800	20/4000
Refrigerant Charge - Oz.	61	80	104
Net Weight lbs.	420	510	540
Shipping Weight lbs.	430	520	550

BLOWER PERFORMANCE

GQ4SC Models

Model GQ4SC-	Speed	External Static Pressure Drop - inches water column							
		0.1	0.2	0.3	0.4	0.5	0.6	0.7	0.8
036	High	1600	1510	1410	1310	1200	1070	930	760
	Medium*	1410	1330	1250	1150	1050	940	820	670
	Low	1130	1070	1000	930	850	760	650	530
048	High	2270	2200	2140	2070	2000	1930	1850	1770
	Medium*	2000	1940	1890	1830	1760	1700	1630	1560
	Low	1600	1560	1510	1460	1410	1360	1310	1250
060	High	2270	2200	2140	2070	2000	1930	1850	1770
	Medium*	2000	1940	1890	1830	1760	1700	1630	1560
	Low	1600	1560	1510	1460	1410	1360	1310	1250

* Factory Set Speed

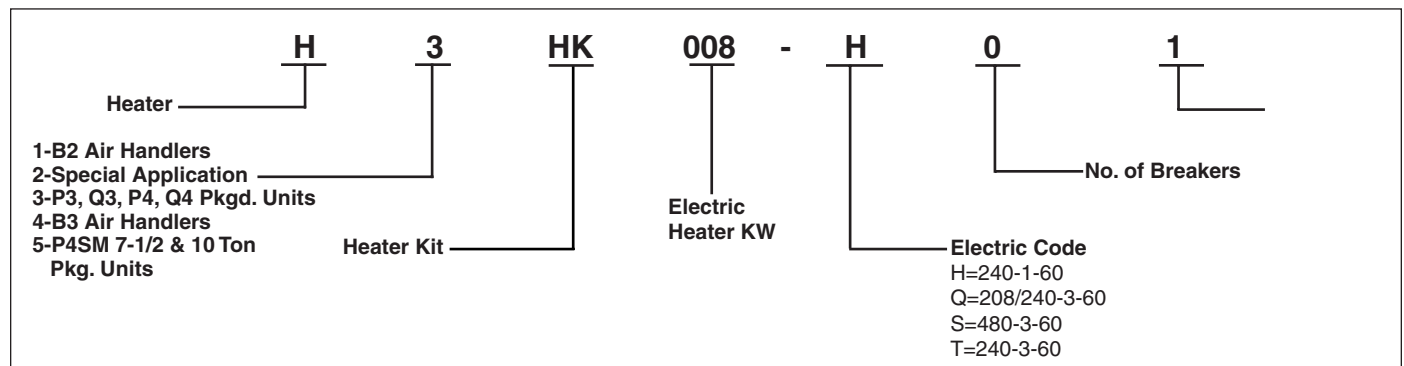
Note: Airflow performance is for wet coil.

HEATER APPLICATION MATRIX

Model No. GQ4S()	H3HK-009Q-01A	H3HK-015Q-01A
	903854A	903855A
036C	x	x(2)
048C	x	x(2)
060C	x	x(2)

() = Number of internal circuit breaker kits required.

MODEL IDENTIFICATION CODE



GP4/GQ4 ACCESSORIES

Description	Part Number
Roof Curb (8")	547830
Roof Curb (14")	547831
Roof Curb (18")	547850
Roof Curb (24")	547851
Supply/return transition, 16"	547834
Supply/return transition, 18"	547835
Concentric diffuser, flush, 16"	547836
Concentric diffuser, flush, 18"	547837
Concentric diffuser, step down 16"	547838
Concentric diffuser, step down 18"	547839
Circuit Breaker, disconnect 3 phase	913740
Manual Fresh Air Damper	547832
Motorized Fresh Air Damper	547840
Economizer, downflow w/filter (does not require filter kit) modulating	547833
Economizer, horizontal modulating	547841
Economizer, horizontal 3-position w/filter	547896
Economizer, downflow 3-position w/filter	547897
Power Exhaust for use with downflow economizer (208/230 3 Phase) Special Order	555578
Power Exhaust for use with horizontal economizer (208/230 3 Phase) Special Order	555580
Power Exhaust for use with downflow economizer (460V 3 Phase) Special Order	555579
Power Exhaust for use with horizontal economizer (460V 3 Phase) Special Order	555581
HOOD TYPE HAIL GUARD 30" X 60" P4SA036, R4GA024, 030, 036, 042, R4GC024	547844
HOOD TYPE HAIL GUARD 30" X 76" P4SA048, P4SC036, Q4SA036	547845
HOOD TYPE HAIL GUARD 34" X 76" P4SA060, P4SC048, 060, Q4SA048, 060, Q4SC036, R4GA048, 060, R4GC030, 036, 042	547846
HOOD TYPE HAIL GUARD 38" X 76" Q4SC048, 060, R4GC048, 060	547847
CO2 sensors (special order)	547848
DUCT SMOKE DETECTOR PHOTO ELEC	547892
MULTI SIGNAL CONTROL	547893
SAMPLING TUBE ST3	547894
SAMPLING TUBE ST5	547895
Filter Rack, All Downflow Applications (not required with economizer or units built after July 2006)	547885
Filter Kit (not required with economizer or units built after July 2006) R4GA 024, R4GC 024, P4SA 036	547886
Filter Kit for Horizontal Applications (not required with economizer or units built after July 2006) P4SA 048, P4SC 036, Q4SA 036	547887
Filter Kit (not required with economizer or units built after July 2006) R4GA 048 - 060, R4GC 030 - 042, P4SA 060, P4SC 048 - 060, Q4SA 048 - 060, Q4SC 036	547888
Filter Kit (not required with economizer or units built after July 2006) R4GC 048 - 060, Q4SC 048 - 060	547889
Universal Hard Start Kit	912933
Low Pressure Switch Kit	913551
High Pressure Switch Kit	913550
Low Ambient Kit	913549A
P-Trap Kit	913810
U.S LP Gas Conversion Kit (0 ft to 10,000 ft above sea level)	904090A
Canadian LP Gas Conversion Kit (0 to 4,500 ft above sea level)	904091A
Outdoor Thermostat Kit	913852

NOTES:

GP4SA & GP4SC Models

1. GP4SA-036K, GP4SA-036C, GP4SA-036D
2. GP4SA-048K, GP4SA-048C, GP4SA-048D, GP4SC-036K
3. GP4SA-060K, GP4SA-060C, GP4SA-060D, GP4SC-048K,
GP4SC-060K

GQ4SA & GQ4SC Models

1. GQ4SA-036()
2. GQ4SA-048(), GQ4SA-060(), GQ4SC-036()
3. GQ4SC-048K, GQ4SC-060K

We Encourage
Professionalism



Through Technician
Certification by NATE



837B-0606 (Replaces 837B-0805)