
TECHNICAL SPECIFICATIONS



KG6RC Series

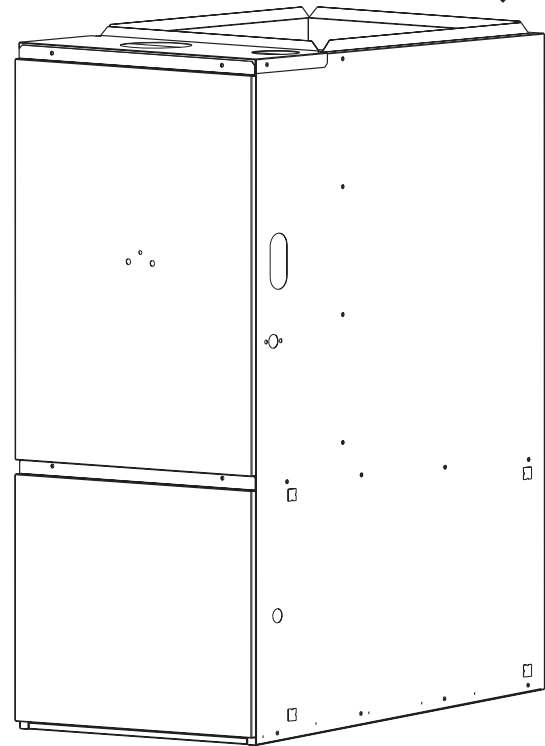
High Efficiency / Direct Vent or Non Direct Vent

Condensing Upflow/ Horizontal Gas Furnace

Induced Draft - 92+ AFUE

Input 40,000 - 120,000 Btuh

The high efficiency upflow gas furnace may be installed free standing in a utility room, basement, or enclosed in an alcove or closet. With kit, it converts easily to horizontal application. The extended flush jacket provides a pleasing "appliance appearance." Design certified by the Canadian Standard Association (CSA).

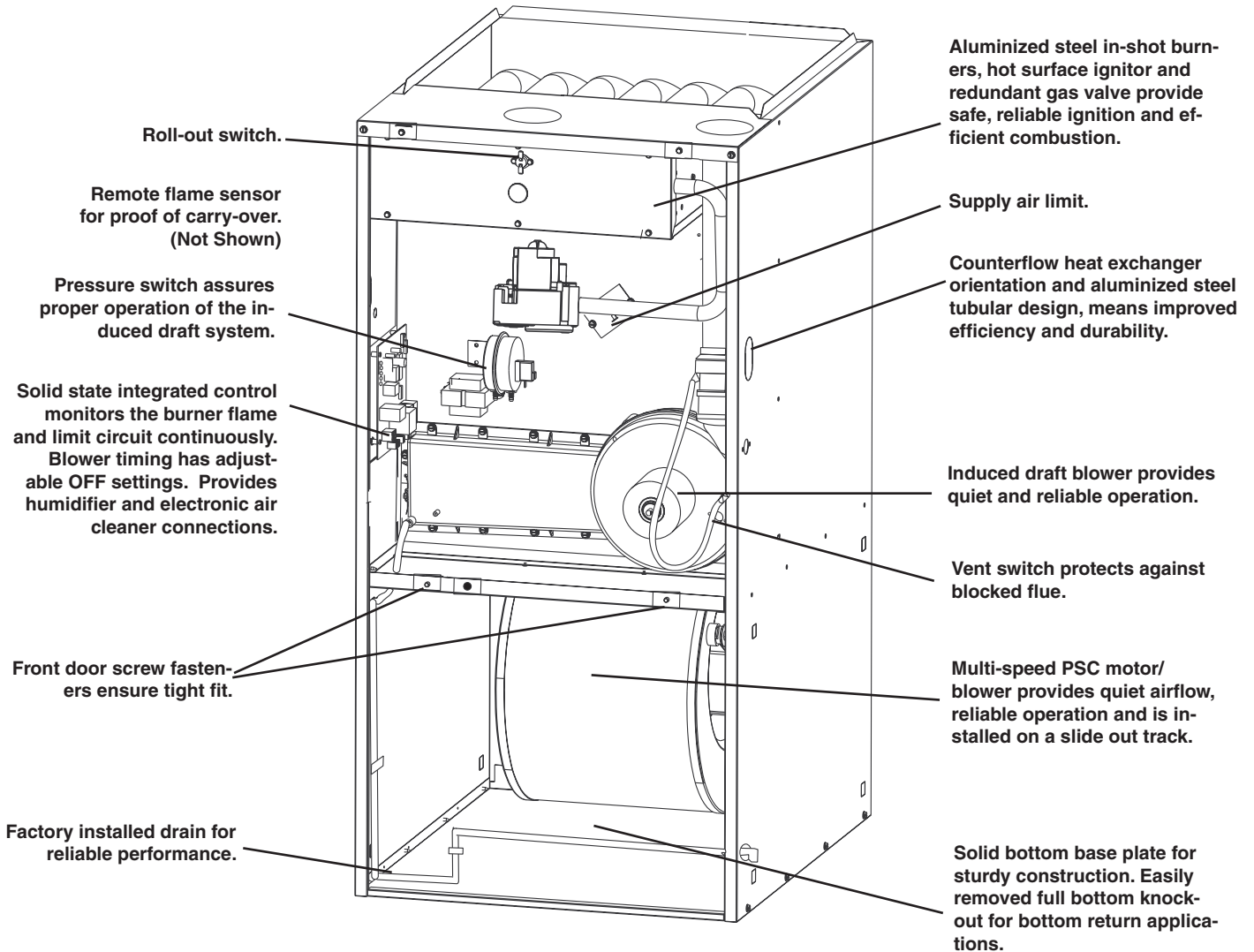


FEATURES AND BENEFITS

- **100% fired and tested** — All units and each component (both mechanical and electrical) are tested on the manufacturing line.
- **Best packaging in the industry** — Unique design assures product will arrive to the homeowner dent free.
- **Clean and quiet operation** — Due to the unique design of in-shot burners, location of inducer and use of insulation.
- **Fixed 30 second blower delay** — at burner start-up assures a warm duct temperature at furnace start-up. Adjustable blower off settings (60, 120, 160 and 180 seconds).
- **Fixed 30-second post purge** — increases life of heat exchanger.
- **Dependable, hot surface ignitor** — Innovative application of an appliance type ignitor with a 20-year history of reliability, assures no call-backs because of handling.
- **Color coded wire harness** — Designed to fit the components, all with quick-connect fittings for ease of service and replacement.
- **Tubular primary heat exchanger** — Heavy gauge aluminized steel heat exchanger assures a long life.
- **Stainless steel secondary heat exchanger** — assures a long life.
- **90-second fixed cooling cycle blower-off delay (TDR)** — increases cooling performance when matched with a NORDYNE coil.
- **Approved for direct vent furnace, category IV venting system** — May be vertically or horizontally vented using either a one-pipe or two-pipe system for maximum flexibility in installation.
- **Variable speed blower kit** — is available to maximize air conditioner and heat pump efficiencies. On selected units, SEER ratings up to 14 and HSPF ratings up to 8.5 are ARI listed.
- **High Altitude Capability** — Designed for high altitudes without the use of additional kits for natural gas.
- **Multi-speed direct drive blower** — Designed to give a wide range of cooling capacities. 40VA transformer included.
- **LP convertible** — Simple burner orifice and regulator spring change for ease of convertibility.
- **Factory installed drain system** — for reliable performance.
- **Diagnostic light flashes identify limit failure, pressure switch failure and improper ground and polarization** — for easy troubleshooting.
- **Incorporates integrated control board** — with connections for electronic air cleaner, humidifier and twinning.
- **Two piece door design** — enhances furnace appearance and uses screw fasteners for great fit and accessibility.
- **3 amp fuse** — protection against low voltage shorts; protects transformer and control board.
- **Low voltage terminal board** — for easy field wiring.
- **Quality Components and Controls** — Designing quality into our products means selecting component manufacturers with a reputation for high quality and dependability.
- **Five year limited parts warranty**
- **Lifetime limited heat exchanger warranty**

FEATURES

High Efficiency Upflow 92+ Gas Furnace



STANDARD EQUIPMENT

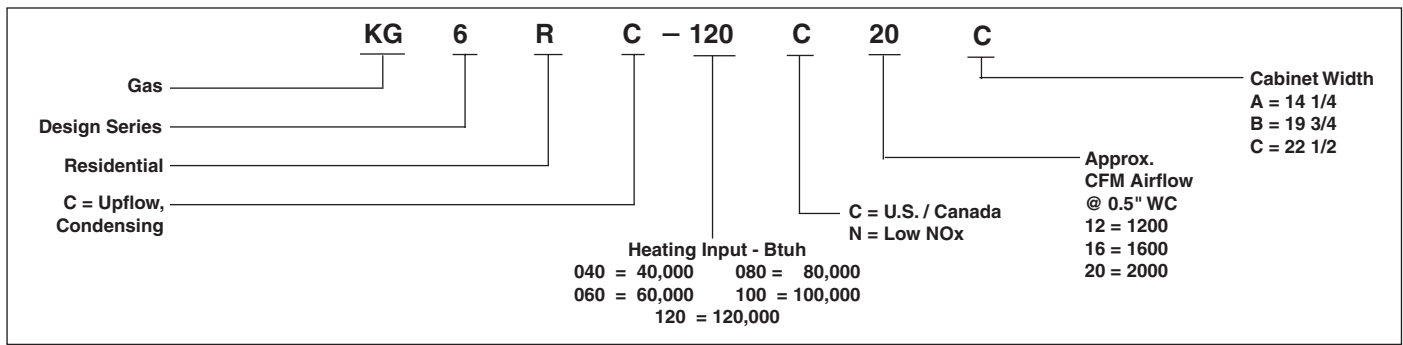
Direct vent; draft inducer; pressure switch; redundant main gas control; hot-surface ignition; timed ON/OFF blower controls (TDR); 40VA transformer for air conditioner application; limit controls; direct drive motor; all models can be converted to use L.P. (propane) gas. Factory approved kits *only* must be used and are available as an optional accessory from your NORDYNE distributor.

SPECIFICATIONS

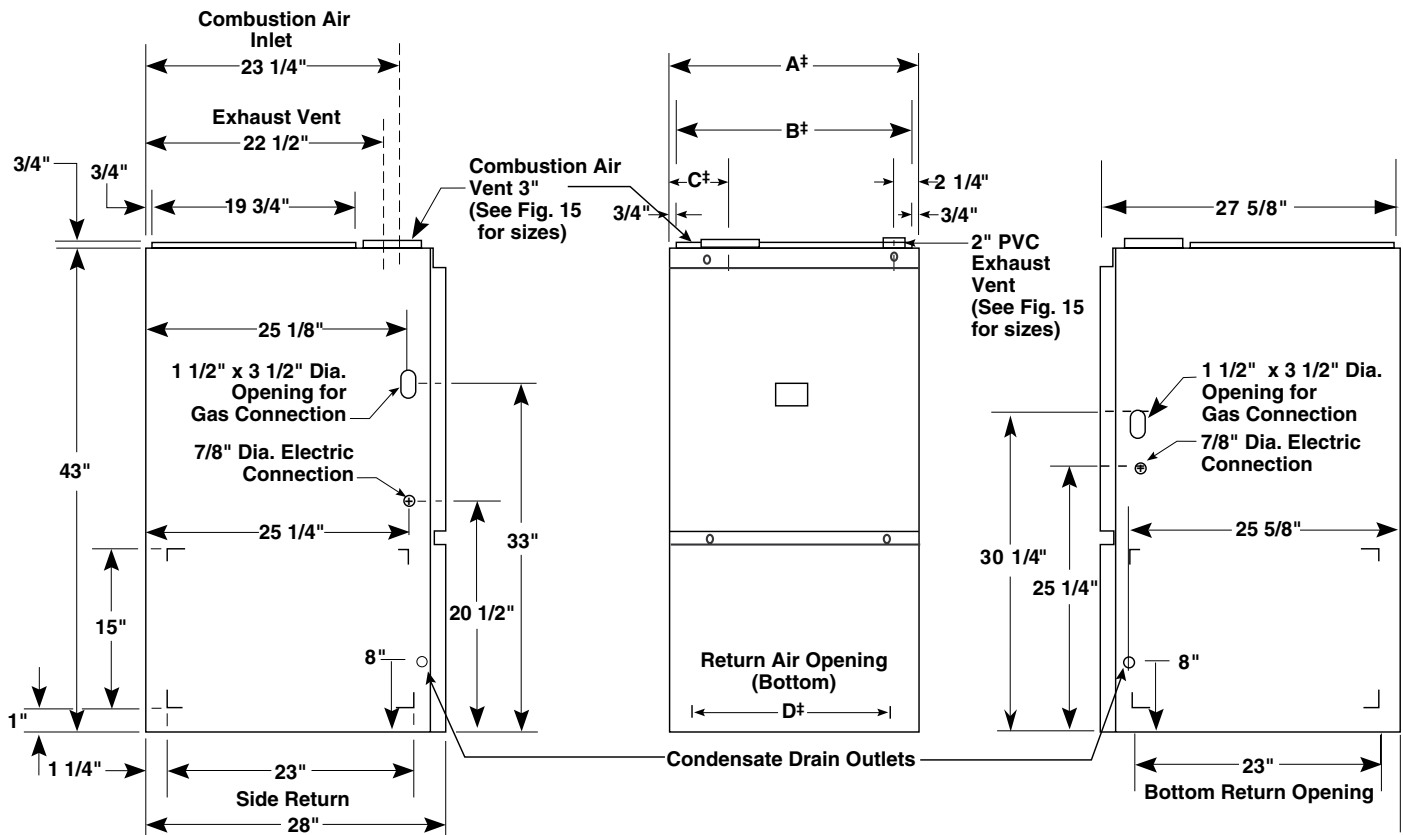
KG6RC MODEL NUMBERS:	-040C-08A	-040C-12A	-060C-12A	-080C-12B	-080C-16B	-100C-16B	-100C-20B	-120C-16C	-120C-20C
Input-Btuh (a)	40,000	40,000	60,000	80,000	80,000	100,000	100,000	120,000	120,000
Heating Capacity - Btuh	36,000	36,000	55,000	72,000	72,000	92,000	92,000	110,000	110,000
AFUE	92.1	92.1	92.1	92.1	92.1	92.1	92.1	92.1	92.1
Blower D x W	10 x 6	10 x 6	10 x 6	10 x 10	10 x 10	10 x 10	11 x 10	10 x 10	11 x 10
Motor H.P. -Speed -Type	1/5 - 3 - PSC	1/3 - 3 - PSC	1/3 - 3 - PSC	1/2 - 4 -PSC	1/2 - 4 -PSC	1/2 - 4 -PSC	3/4 - 4 -PSC	1/2 - 4 -PSC	3/4 - 4 -PSC
Motor FLA	3.0	6.0	6.0	7.9	7.9	7.9	11.1	7.9	11.1
Maximum Ext. SP - In. W.C.	0.5	0.5	0.5	0.5	0.5	0.5	0.5	0.5	0.5
Temperature Rise Range - °F	35 - 65	35 - 65	45 - 75	40 - 70	40 - 70	45 - 75	45 - 75	55 - 85	55 - 85

Note: All models are 115V, 60 Hz. Gas Connections are 1/2" N.P.T. AFUE = Annual Fuel Utilization Efficiency
 (a) Ratings to 2,000 ft. Over 2,000 ft. reduce 4% for each 1,000 ft. above sea level.

MODEL IDENTIFICATION CODE



DIMENSIONS



MODEL NUMBER KG6RC	Dimensions				Shipping Weights (lbs)
	A (in.)	B (in.)	C (in.)	D (in.)	
40,000 A	14 1/4	12 3/4	5 1/8	11 3/4	133
60,000 A	14 1/4	12 3/4	5 1/8	11 3/4	140
80,000 B	19 3/4	18 1/4	7 7/8	17 1/4	172
100,000 B	19 3/4	18 1/4	7 7/8	17 1/4	180
120,000 C	22 1/2	21	9 1/4	20	204

BLOWER PERFORMANCE

Model Number *RC-	Heating Input (Btuh)	Motor Speed	Motor HP	External Static Pressure (Inches Water Column)																											
				0.1			0.2			0.3			0.4			0.5			0.6			0.7			0.8						
				CFM	Rise	CFM	Rise	CFM	Rise	CFM	Rise	CFM	Rise	CFM	Rise	CFM	Rise	CFM	Rise	CFM	Rise	CFM	Rise	CFM	Rise	CFM	Rise				
040()-08A	40,000	High* Medium** Low	1/5	950	36	920	38	890	39	850	41	800	43	750	46	690	50	630	55	550	58	490	63	430	490	63	350	290	-	-	
040()-12A	40,000	High* Medium** Low	1/3	1330	-	1280	-	1230	-	1170	-	1120	-	1030	-	940	37	850	41	750	38	680	52	610	57	550	550	57	550	63	
060()-12A	60,000	High* Medium** Low	1/3	1310	-	1260	-	1210	-	1160	45	1100	47	1040	50	980	53	920	56	850	52	780	44	720	48	670	670	610	57	550	63
080()-12B	80,000	High* Med-High** Med-Low Low	1/2	1775	38	1724	39	1652	40	1583	42	1505	44	1430	46	1343	49	1226	54	1160	52	1080	48	1010	52	940	940	890	58	830	63
080()-16B	80,000	High* Med-High** Med-Low Low	1/2	1840	-	1780	-	1700	41	1630	42	1550	45	1470	47	1380	50	1290	54	1230	54	1163	57	1097	61	1013	1013	960	692	66	66
100()-16B	100,000	High* Med-High** Med-Low Low	1/2	1910	45	1860	47	1780	49	1700	51	1620	53	1520	57	1420	61	1310	66	1250	61	1180	66	1110	72	1030	1030	960	880	75	-
100()-20B	100,000	High* Med-High** Med-Low Low	3/4	2195	39	2140	40	2065	41	2000	42	1960	44	1860	46	1780	48	1695	50	1630	47	1550	44	1470	48	1380	1380	1310	1160	73	-
120()-16C	120,000	High* Med-High** Med-Low Low	1/2	1860	56	1800	58	1730	60	1650	63	1570	66	1480	70	1380	75	1270	82	1210	74	1120	74	1030	81	940	940	880	880	82	-
120()-20C	120,000	High* Med-High** Med-Low Low	3/4	2260	-	2200	-	2140	-	2070	-	1990	-	1910	-	1810	57	1710	61	1660	61	1560	63	1470	71	1370	1370	1300	1220	85	-

() Can be C or N
 * Factory Set Cooling Speed
 ** Factory Set Heating Speed
 - Not Recommended

NOTES: 1. Airflow rates of 1800 CFM or more require two return air connections. Data is for operation with filter(s).
 2. Temperature rises in the table are approximate. Actual temperature rises may vary.
 3. Temperature rises and airflows for external static pressures greater than 0.5 are for reference only. These conditions are not recommended.

VENTING

All models are approved for vertical non direct (1 pipe) and direct (2 pipe) venting applications. See Vent Table below for specified sizes and allowable lengths.

APPLICATION	SINGLE PIPE LENGTH (ft.) with 1 long radius elbow*		DIRECT VENT, DUAL PIPE LENGTH (ft.) with 1 long radius elbow on each pipe*					
	Outlet	Outlet	Inlet/Outlet		Inlet/Outlet		Inlet/Outlet	
PVC, CPVC or ABS SCH. 40 Pipe Size	2"	3"	2"	2"	3"	2"	3"	3"
Models KG6RC/L 040	80	150	40	40	50	50	90	90
Models KG6RC/L 060 & 080	60	150	30	30	35	35	90	90
Models KG6RC/L 100 & 120	30	150	15	15	25	25	90	90

* NOTE:

1. Subtract 2.5 ft. for each additional 2" elbow and 3.5 ft. for each additional 3" elbow.
2. Two 45 degree elbows are equivalent to one 90 degree elbow.
3. One short radius elbow is equivalent to two long radius elbows.
4. Do not include termination elbows in calculation of vent length.
5. This table is applicable for elevations from sea level to 2000 ft. For higher elevations decrease vent pipe lengths by 8% per 1000 ft. of altitude.
6. Only the listed pipe materials are approved for use with KG6 Condensing Furnaces.

ACCESSORIES

Kit	Order Number
U.S. LP Conversion Kit (0 to 10,000 ft.)	904090A
Canadian LP Gas Conversion Kit (0 to 4,500 ft.)	904091A
Fossil Fuel Kit	914762
Side Return Filter Kit	541036
Bottom Return Filter (20/Box)	A Cabinet 903088 B Cabinet 903089 C Cabinet 903090
Horizontal Drain Kit	903568
Internal Side Return Filter Wire	903152
Variable Speed Blower Kit for "A" cabinets	904231
Variable Speed Blower Kit for "B" & "C" cabinets	904075

VENT KITS

Kit Description	2" PVC	3" PVC
Horizontal Exterior Vent Mounting Kit	902373	902375
Concentric Vent Kit	904177	904176
Neutralizer Kit (all models)	902377	
Side Wall Vent Kit	904347	



GENERAL TERMS OF LIMITED WARRANTY

NORDYNE will furnish a replacement for any part of this product which fails in normal use and service within the first five years of installation, in accordance with the terms of the warranty.

For complete details of the Limited Warranty, including applicable terms & conditions, see your local installer or contact the factory for a copy.

828A-0107 (Replaces 828A-1206)