

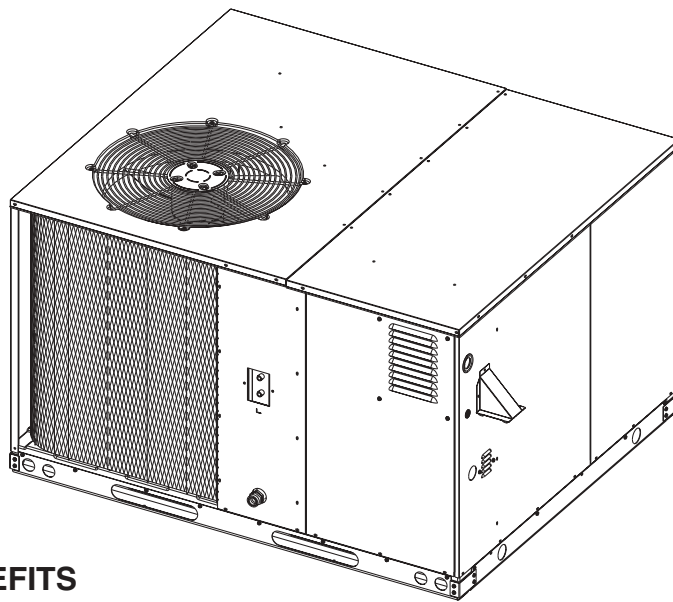


GR4GA Series

Single Packaged Gas/Electric Units

GR4GA 10 SEER 2 Ton thru 5 Ton Units

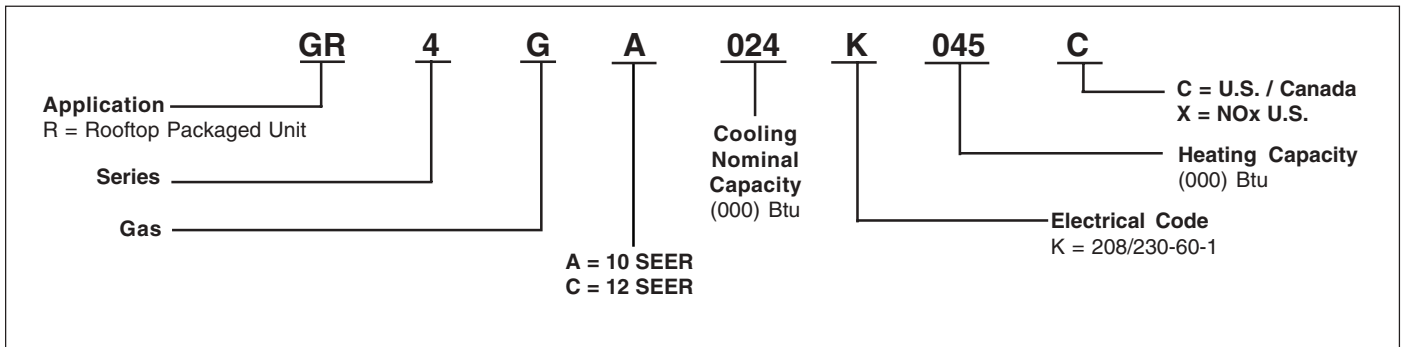
The GR4GA Series single packaged gas/electrics are high efficiency self contained cooling units that can be installed on the roof or on a slab. The convertible unit design makes installations simple in all applications. Units are ETL and ETLc listed. The unit is truly designed with the contractor and the consumer in mind.



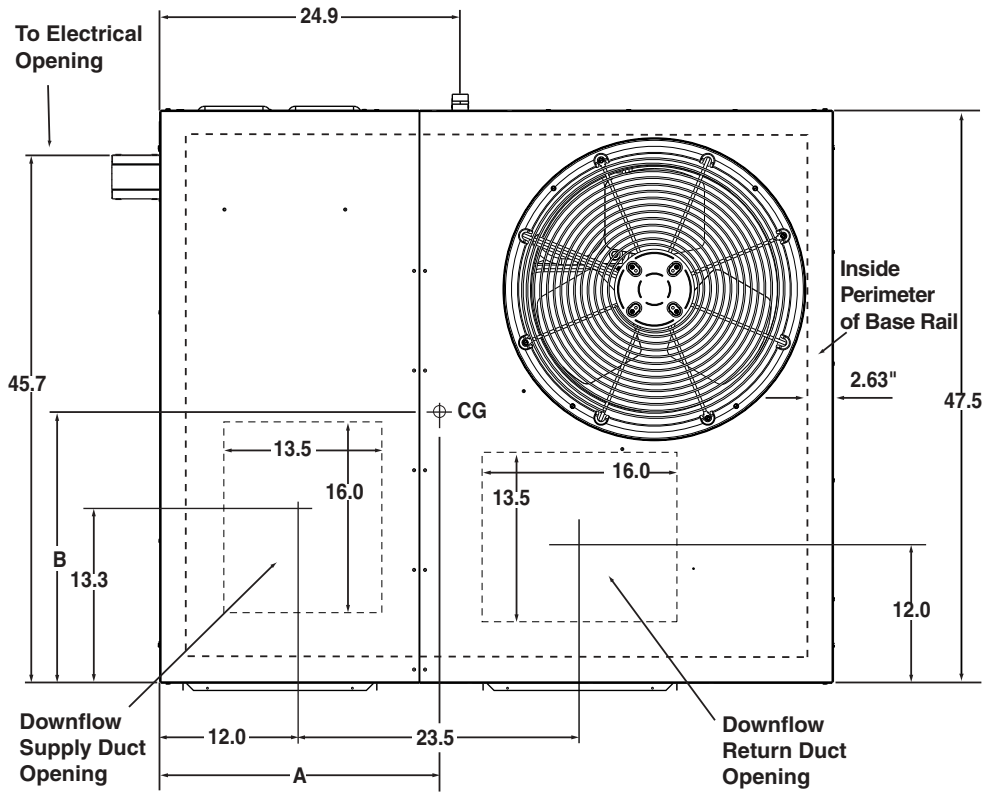
FEATURES AND BENEFITS

- **Compact Footprint/Low Profile**
Easy to handle and transport.
- **Heavy-Gauge, Full Perimeter Base Rails**
Facilitates forklift handling and curb mounting.
- **Convertible Air Delivery**
Horizontal or downflow to accommodate rooftop or horizontal application.
- **Galvanized Steel with Polyurethane Finish**
Provides a minimum of 950 hour salt spray protection to resist corrosion.
- **Plastic Mesh Hail Guard**
Will never rust and protects the coil from being damaged by balls, lawnmowers, hail etc.
- **Externally Accessible Service Ports**
Quick access to refrigerant system without disrupting operation.
- **Access to Controls and Major Components**
Easy in and out service.
- **Corrosion-Resistant Drain Pan**
Quickly drains away evaporator condensate.
- **Smaller Panels, Great Fit and Finish, Total Seal**
Well-designed, quality construction.
Drip edge on top panels whisks away rainwater. Embossed bottom pan keeps blower component compartment dry.
- **Proven, Industry Standard Components**
Easier service and availability.
- **Accessories**
Roof curbs, economizers, fresh air dampers and more.
- **Quiet Operation**
Low vibration. 20" fan blade combined with custom condenser fan orifice.
- **Five Year Residential Parts Warranty**
Extended labor protection plans are available.
- **One Year Commercial Parts Warranty**

MODEL IDENTIFICATION CODE



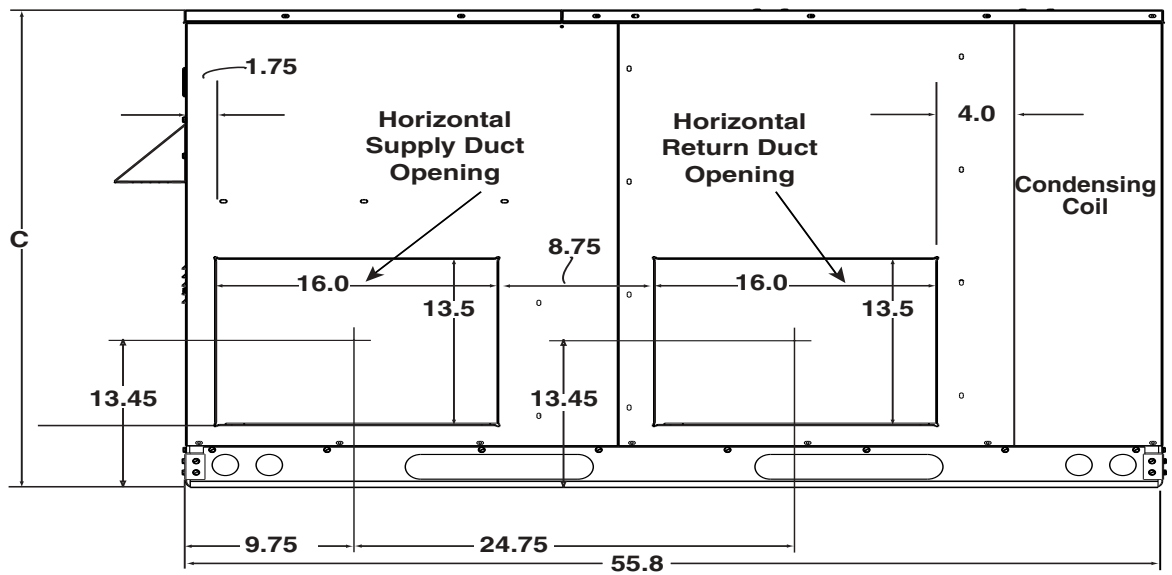
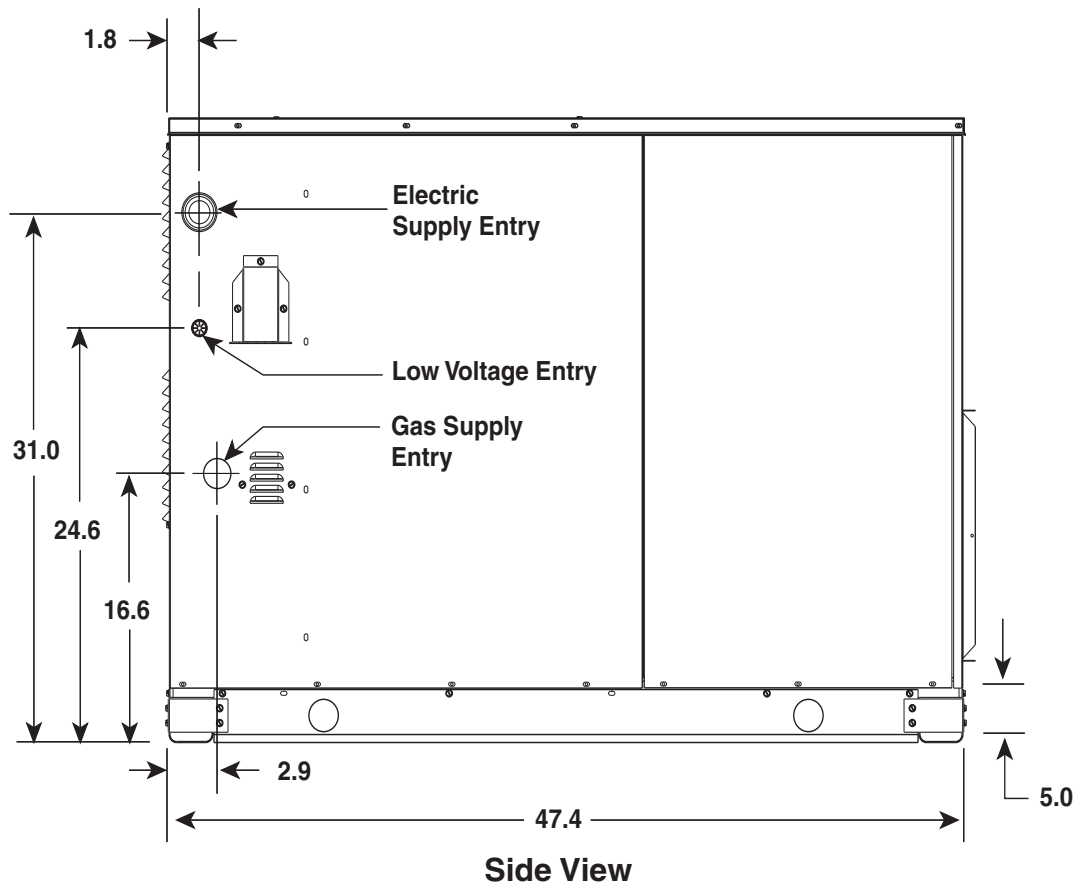
DIMENSIONS



Top View

Model Number GR4GA-	Unit Weight	Center of Gravity		Height (in inches)	
		A	B	C	
				with base rails	without base rails
024K045C	387	25.5	26.5	33.8	31.3
024K072C	395	25.0	26.5	33.8	31.3
030K045C	391	25.5	27.0	33.8	31.3
030K072C	399	25.0	27.0	33.8	31.3
036K072C	422	25.5	27.0	33.8	31.3
036K096C	428	25.0	27.0	33.8	31.3
042K072C	430	25.5	27.0	33.8	31.3
042K096C	440	25.5	27.0	33.8	31.3
048K096C	463	26.0	27.0	37.8	35.3
048K120C	465	25.5	27.0	37.8	35.3
060K096C	490	26.0	27.0	37.8	35.3
060K120C	495	25.5	27.0	37.8	35.3

DIMENSIONS Continued



SPECIFICATIONS AND ELECTRICAL DATA

SINGLE PHASE

Model GR4GA-	024K045C	024K072C	030K045C	030K072C	036K072C	036K096C	042K072C	042K096C	048K120C	048K096C	060K120C	060K096C	060K120C
Performance													
Heating Input BTUH	45,000	72,000	45,000	72,000	72,000	96,000	72,000	96,000	120,000	96,000	120,000	96,000	120,000
Heating Output BTUH	35,000	56,000	35,000	56,000	56,000	75,000	56,000	75,000	94,000	75,000	94,000	75,000	94,000
Capacity -Cooling BTUH	24,000	24,000	28,500	28,500	35,500	35,500	40,000	40,000	46,000	46,000	58,000	58,000	58,000
AFUE	78	78	78	78	78	78	78	78	78	78	78	78	78
Efficiency - SEER	10.00	10.00	10.00	10.00	10.00	10.00	10.00	10.00	10.00	10.00	10.00	10.00	10.00
Efficiency - EER	10.3	10.3	9.3	9.3	9.3	9.3	9.7	9.7	9.6	9.6	8.9	8.9	8.9
Electrical Rating - 60 Hz													
Phase	1	1	1	1	1	1	1	1	1	1	1	1	1
Operating Voltage Range	187 - 253	187 - 253	187 - 253	187 - 253	187 - 253	187 - 253	187 - 253	187 - 253	187 - 253	187 - 253	187 - 253	187 - 253	187 - 253
Minimum Circuit Ampacity	16.1	16.1	21.6	21.6	25.1	25.1	28.1	28.1	30.7	30.7	42.8	42.8	42.8
Max. Over-current Protection	25	25	35	35	40	40	45	45	50	50	60	60	60
Compressor Data													
Volts	208 / 230	208 / 230	208 / 230	208 / 230	208 / 230	208 / 230	208 / 230	208 / 230	208 / 230	208 / 230	208 / 230	208 / 230	208 / 230
Rated Load Amps	10.9	10.9	15.3	15.3	16.6	16.6	19	19	20.4	20.4	30.1	30.1	30.1
Lock Rotor Amps	56	56	75	75	96	96	105	105	102	102	144	144	144
Indoor Blower													
Wheel Diameter	10x6			10x10			10x10			11x10			
Type / No. of Speeds	DD / 3	DD / 3	DD / 3	DD / 3	DD / 3	DD / 3	DD / 3	DD / 3	DD / 4	DD / 4	DD / 4	DD / 4	DD / 4
Motor - HP / RPM	1/4 - 1100	1/4 - 1100	1/4 - 1100	1/4 - 1100	1/2 - 1100	1/2 - 1100	1/2 - 1100	1/2 - 1100	3/4 - 1100	3/4 - 1100	3/4 - 1100	3/4 - 1100	3/4 - 1100
Motor - Amps	1.3	1.3	1.3	1.3	3.1	3.1	3.1	3.1	4.0	4.0	4.0	4.0	4.0
Outdoor Fan													
Motor - HP / RPM	1/4 - 825	1/4 - 825	1/4 - 825	1/4 - 825	1/4 - 825	1/4 - 825	1/4 - 825	1/4 - 825	1/4 - 825	1/4 - 825	1/4 - 825	1/4 - 825	1/4 - 825
Motor - Amps	1.2	1.2	1.2	1.2	1.2	1.2	1.2	1.2	1.2	1.2	1.2	1.2	1.2
Fan Diameter / CFM	20 / 3500	20 / 3500	20 / 3500	20 / 3500	20 / 3500	20 / 3500	20 / 3500	20 / 3500	20 / 3500	20 / 3500	20 / 3500	20 / 3500	20 / 3500
Refrigerant Charge - oz.	70	70	65	65	60	60	73	73	93	93	88	88	88

AIRFLOW DATA

Model Number GR4GA-	Heating Input (Btuh)	Heating Output (Btuh)	Heating Rise Range (F)	Cooling Output (Btuh)	Motor Speed	Blower Size	Motor HP	External Static Pressure (Inches Water Column)																							
								0.1		0.2		0.3		0.4		0.5		0.6		0.7		0.8									
								CFM	Rise	CFM	Rise	CFM	Rise	CFM	Rise	CFM	Rise	CFM	Rise	CFM	Rise	CFM	Rise	CFM	Rise						
024K045(f)	45,000	35,000	30-60	24,000	High Medium Low**	10 X 6	1/4	1172	-	1109	-	1043	31	975	33	903	36	829	39	752	43	672	48	48							
024K072(f)	72,000	56,000	40-70	24,000	High Medium Low**	10 X 6	1/4	845	38	795	41	741	44	683	48	620	52	552	59	480	-	603	-	-							
030K045(f)	45,000	35,000	30-60	28,500	High** Medium Low*	10 X 6	1/4	1172	-	1109	-	1043	31	975	33	903	36	829	39	752	43	672	48	48							
030K072(f)	72,000	56,000	40-70	28,500	High** Medium Low*	10 X 6	1/4	845	38	795	41	741	44	683	48	620	52	552	59	480	-	603	-	-							
036K096(f)	96,000	75,000	45-75	35,500	High Medium Low**	10 X 10	1/2	1697	-	1600	-	1503	46	1406	49	1309	53	1212	57	1115	62	1018	68	68							
042K072(f)	72,000	56,000	40-70	40,000	High Medium** Low*	10 X 10	1/2	1574	-	1485	47	1396	50	1308	53	1219	57	1130	61	1041	67	952	73	73							
042K096(f)	96,000	75,000	45-75	40,000	High Medium** Low	10 X 10	1/2	1297	53	1225	57	1152	60	1079	64	1006	69	933	74	860	-	788	-	-							
048K096(f)	96,000	75,000	45-75	46,000	High Med-High Med-Low***	11 X 10	3/4	2393	-	2307	-	2220	-	2134	-	2047	-	1961	-	1874	-	1787	-	-							
048K120(f)	120,000	94,000	45-75	46,000	High Med-High Med-Low***	11 X 10	3/4	2171	-	2093	-	2016	-	1938	-	1860	-	1782	-	1704	45	1625	47	47							
060K096(f)	96,000	75,000	45-75	58,000	Med-Low* Low	11 X 10	3/4	1811	-	1751	-	1690	45	1626	47	1561	48	1493	50	1423	53	1351	55	55							
060K120(f)	120,000	94,000	45-75	58,000	High Med-High** Med-Low*	11 X 10	3/4	1485	51	1439	52	1387	54	1328	56	1262	59	1190	62	1111	66	1025	72	72							
					High Med-High** Med-Low*	11 X 10	3/4	2061	-	1989	-	1917	45	1845	47	1773	49	1701	51	1628	53	1556	56	56							
					High Med-High** Med-Low*	11 X 10	3/4	1865	46	1813	48	1752	49	1680	52	1599	54	1507	58	1406	62	1295	67	67							
					High Med-High** Med-Low*	11 X 10	3/4	1635	53	1578	55	1522	57	1465	59	1409	62	1352	64	1296	67	1240	70	70							
					High Med-High** Med-Low*	11 X 10	3/4	1357	64	1308	66	1258	69	1209	72	1159	75	1110	-	1060	-	1011	-	-							
					High Med-High** Med-Low*	11 X 10	3/4	2393	-	2307	-	2220	-	2134	-	2047	-	1961	-	1874	-	1787	-	-							
					High Med-High** Med-Low*	11 X 10	3/4	2171	-	2093	-	2016	-	1938	-	1860	-	1782	-	1704	45	1625	47	47							
					High Med-High** Med-Low*	11 X 10	3/4	1811	-	1751	-	1690	45	1626	47	1561	48	1493	50	1423	53	1351	55	55							
					High Med-High** Med-Low*	11 X 10	3/4	1485	51	1439	52	1387	54	1328	56	1262	59	1190	62	1111	66	1025	72	72							
					High Med-High** Med-Low*	11 X 10	3/4	2061	-	1989	-	1917	45	1845	47	1773	49	1701	51	1628	53	1556	56	56							
					High Med-High** Med-Low*	11 X 10	3/4	1865	46	1813	48	1752	49	1680	52	1599	54	1507	58	1406	62	1295	67	67							
					High Med-High** Med-Low*	11 X 10	3/4	1635	53	1578	55	1522	57	1465	59	1409	62	1352	64	1296	67	1240	70	70							
					High Med-High** Med-Low*	11 X 10	3/4	1357	64	1308	66	1258	69	1209	72	1159	75	1110	-	1060	-	1011	-	-							
					High Med-High** Med-Low*	11 X 10	3/4	2393	-	2307	-	2220	-	2134	-	2047	-	1961	-	1874	-	1787	-	-							
					High Med-High** Med-Low*	11 X 10	3/4	2171	-	2093	-	2016	-	1938	-	1860	-	1782	-	1704	45	1625	47	47							
					High Med-High** Med-Low*	11 X 10	3/4	1811	-	1751	-	1690	45	1626	47	1561	48	1493	50	1423	53	1351	55	55							
					High Med-High** Med-Low*	11 X 10	3/4	1485	51	1439	52	1387	54	1328	56	1262	59	1190	62	1111	66	1025	72	72							
					High Med-High** Med-Low*	11 X 10	3/4	2061	-	1989	-	1917	45	1845	47	1773	49	1701	51	1628	53	1556	56	56							
					High Med-High** Med-Low*	11 X 10	3/4	1865	46	1813	48	1752	49	1680	52	1599	54	1507	58	1406	62	1295	67	67							
					High Med-High** Med-Low*	11 X 10	3/4	1635	53	1578	55	1522	57	1465	59	1409	62	1352	64	1296	67	1240	70	70							
					High Med-High** Med-Low*	11 X 10	3/4	1357	64	1308	66	1258	69	1209	72	1159	75	1110	-	1060	-	1011	-	-							
					High Med-High** Med-Low*	11 X 10	3/4	2393	-	2307	-	2220	-	2134	-	2047	-	1961	-	1874	-	1787	-	-							
					High Med-High** Med-Low*	11 X 10	3/4	2171	-	2093	-	2016	-	1938	-	1860	-	1782	-	1704	45	1625	47	47							
					High Med-High** Med-Low*	11 X 10	3/4	1811	-	1751	-	1690	45	1626	47	1561	48	1493	50	1423	53	1351	55	55							
					High Med-High** Med-Low*	11 X 10	3/4	1485	51	1439	52	1387	54	1328	56	1262	59	1190	62	1111	66	1025	72	72							
					High Med-High** Med-Low*	11 X 10	3/4	2061	-	1989	-	1917	45	1845	47	1773	49	1701	51	1628	53	1556	56	56							
					High Med-High** Med-Low*	11 X 10	3/4	1865	46	1813	48	1752	49	1680	52	1599	54	1507	58	1406	62	1295	67	67							
					High Med-High** Med-Low*	11 X 10	3/4	1635	53	1578	55	1522	57	1465	59	1409	62	1352	64	1296	67	1240	70	70							
					High Med-High** Med-Low*	11 X 10	3/4	1357	64	1308	66	1258	69	1209	72	1159	75	1110	-	1060	-	1011	-	-							

* - Factory Set Heating Speed
 ** - Factory Set Cooling Speed
 † - Can be C, X, S, or Z

GR4GA ACCESSORIES

Description	Part Number
Roof Curb (8")	547830
Roof Curb (14")	547831
Roof Curb (18")	547850
Cap, Duct Adapter, 12" Round	913811A
Cap, Duct Adapter, 14" Round	913812A
Filter Kit (not required with economizer) R4GA 024 -042, R4GC 024, P4SA 036	547886
Filter Kit (not required with economizer) P4SA 048, P4SC 036, Q4SA 036	547887
Filter Kit (not required with economizer) R4GA 048 - 060, R4GC 030 - 042, P4SA 060, P4SC 048 - 060, Q4SA 048 - 060, Q4SC 036	547888
Filter Kit (not required with economizer) R4GC 048 - 060, Q4SC 048 - 060	547889
Filter Rack, All Downflow Applications (not required with economizer)	547885
Low Ambient Kit	913549A
High Pressure Switch Kit	913550
Low Pressure Switch Kit	913551
LP Gas Conversion Kit, Canadian (0 to 4,500 ft above sea level)	904090A
LP Gas Conversion Kit, U.S. (0 ft to 10,000 ft above sea level)	904091A
Outdoor Thermostat Kit	913852
Universal Hard Start Kit	912933

O'Fallon, MO

NORDYNE



We Encourage Professionalism



815A-0404 (Replaces 815A-1101)

Before purchasing this appliance, read important energy cost and efficiency information available from your retailer. Specifications and illustrations subject to change without notice and without incurring obligations.
Printed in U.S.A. (04/04)