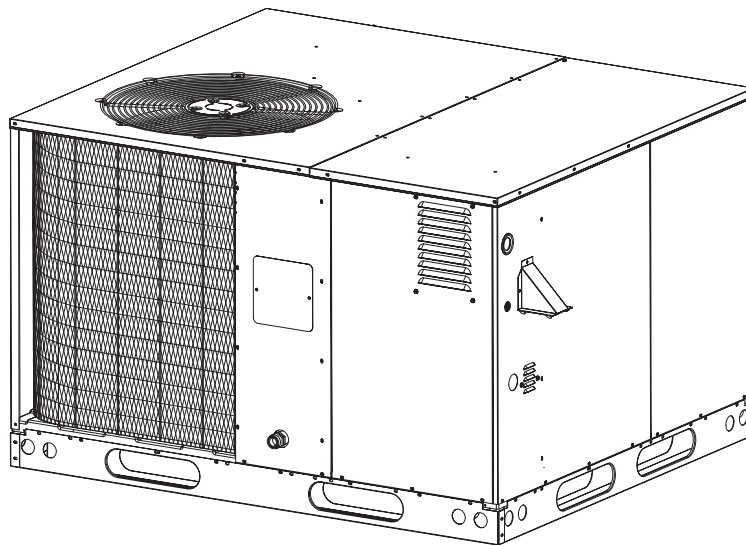


GR4GC Series

Single Packaged Gas/Electric Units

GR4GC 12 SEER, Three Phase 3 Ton thru 5 Ton Units

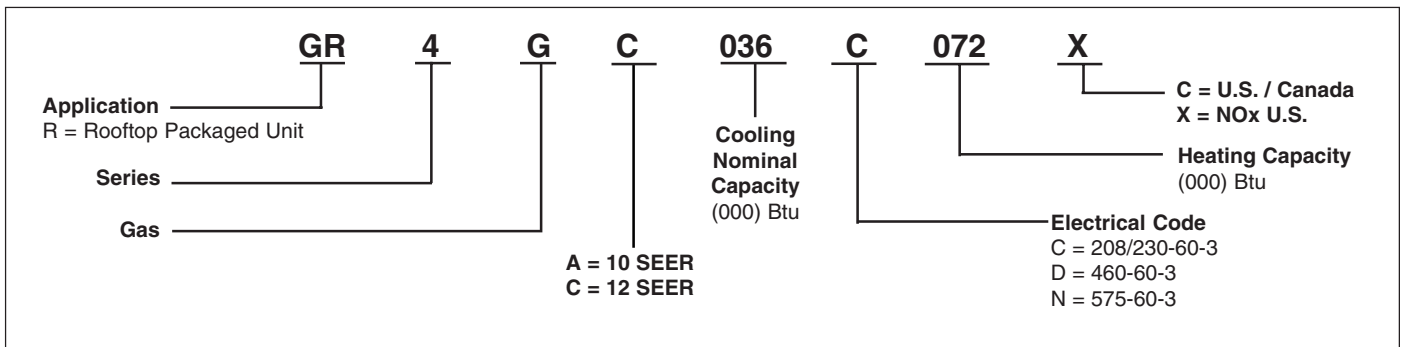
The GR4GC Series single packaged gas/electrics are high efficiency self contained cooling units that can be installed on the roof or on a slab. The convertible unit design makes installations simple in all applications. Units are ETL and ETLc listed. The unit is truly designed with the contractor and the consumer in mind.



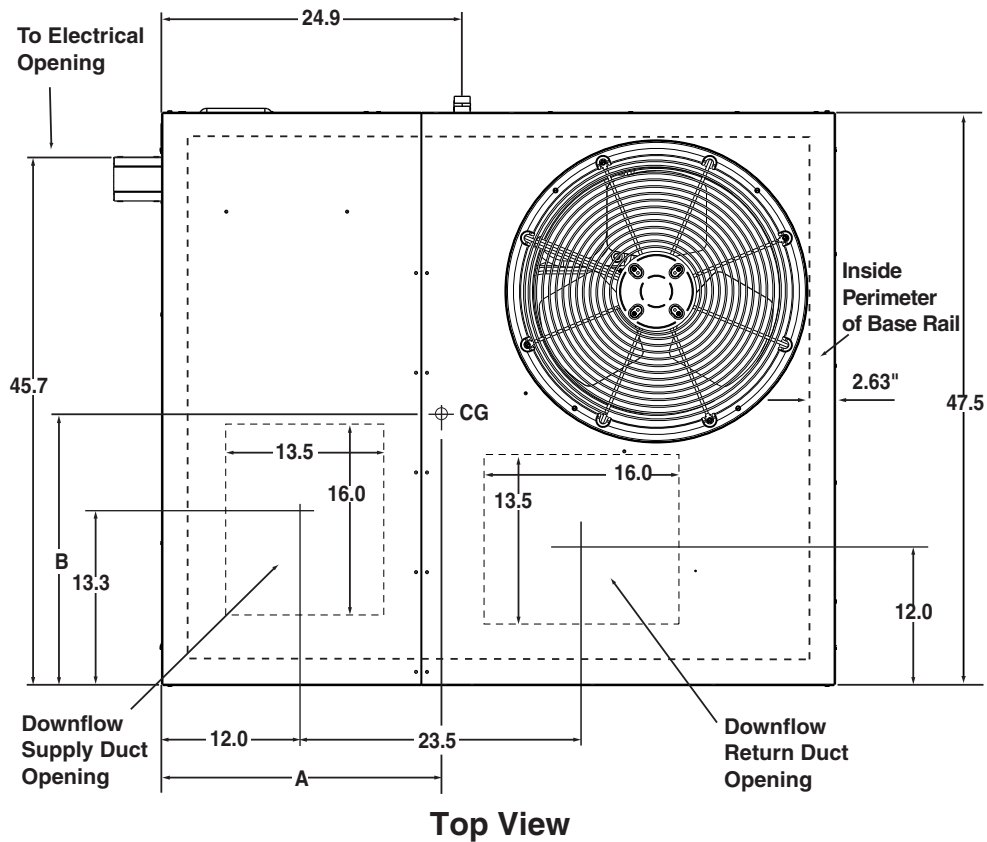
FEATURES AND BENEFITS

- **Compact Footprint/Low Profile**
Easy to handle and transport.
- **Heavy-Gauge, Full Perimeter Base Rails**
Facilitates forklift handling and curb mounting.
- **Convertible Air Delivery**
Horizontal or downflow to accommodate rooftop or horizontal application.
- **Galvanized Steel with Polyurethane Finish**
Provides a minimum of 950 hour salt spray protection to resist corrosion.
- **Plastic Mesh Hail Guard**
Will never rust and protects the coil from being damaged by balls, lawnmowers, hail etc.
- **Externally Accessible Service Ports**
Quick access to refrigerant system without disrupting operation.
- **Access to Controls and Major Components**
Easy in and out service.
- **Smaller Panels, Great Fit and Finish, Total Seal**
Well-designed, quality construction. Drip edge on top panels whisks away rainwater. Embossed bottom pan keeps blower component compartment dry.
- **Factory Installed Filter Rack**
- **Corrosion-Resistant Drain Pan**
Quickly drains away evaporator condensate.
- **Proven, Industry Standard Components**
Easier service and availability.
- **Accessories**
Roof curbs, economizers, fresh air dampers and more.
- **Quiet Operation**
Low vibration. 20" fan blade combined with custom condenser fan orifice.
- **One Year Commercial Parts Warranty**

MODEL IDENTIFICATION CODE

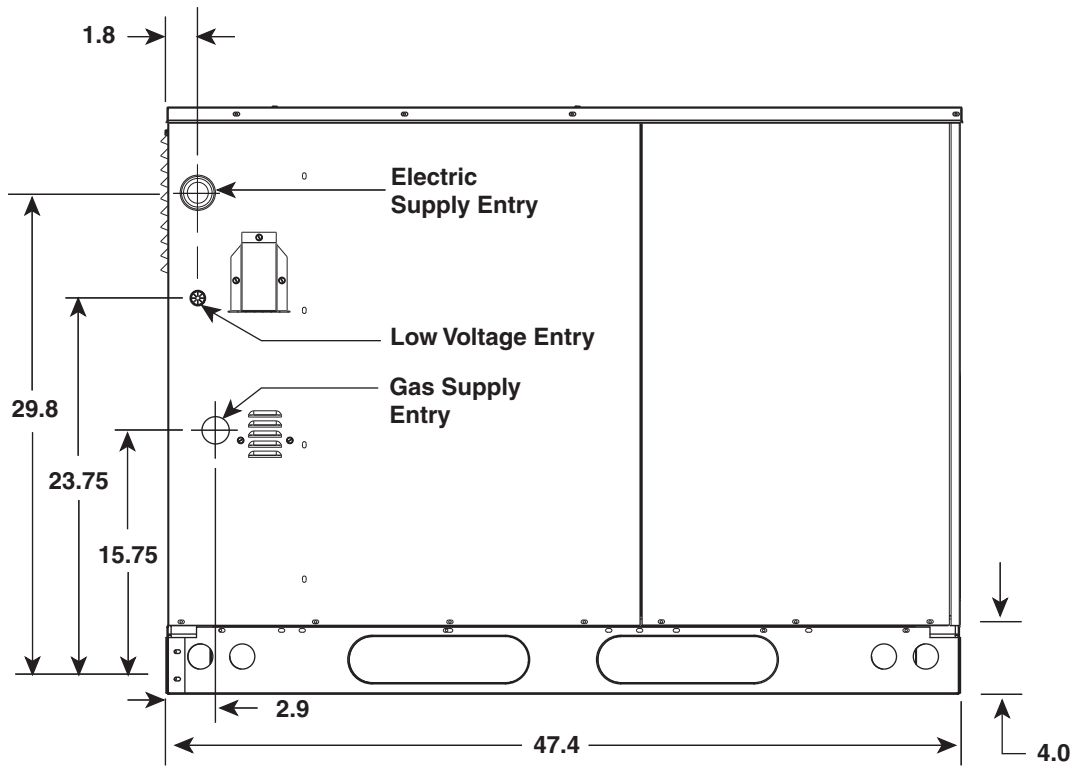


DIMENSIONS

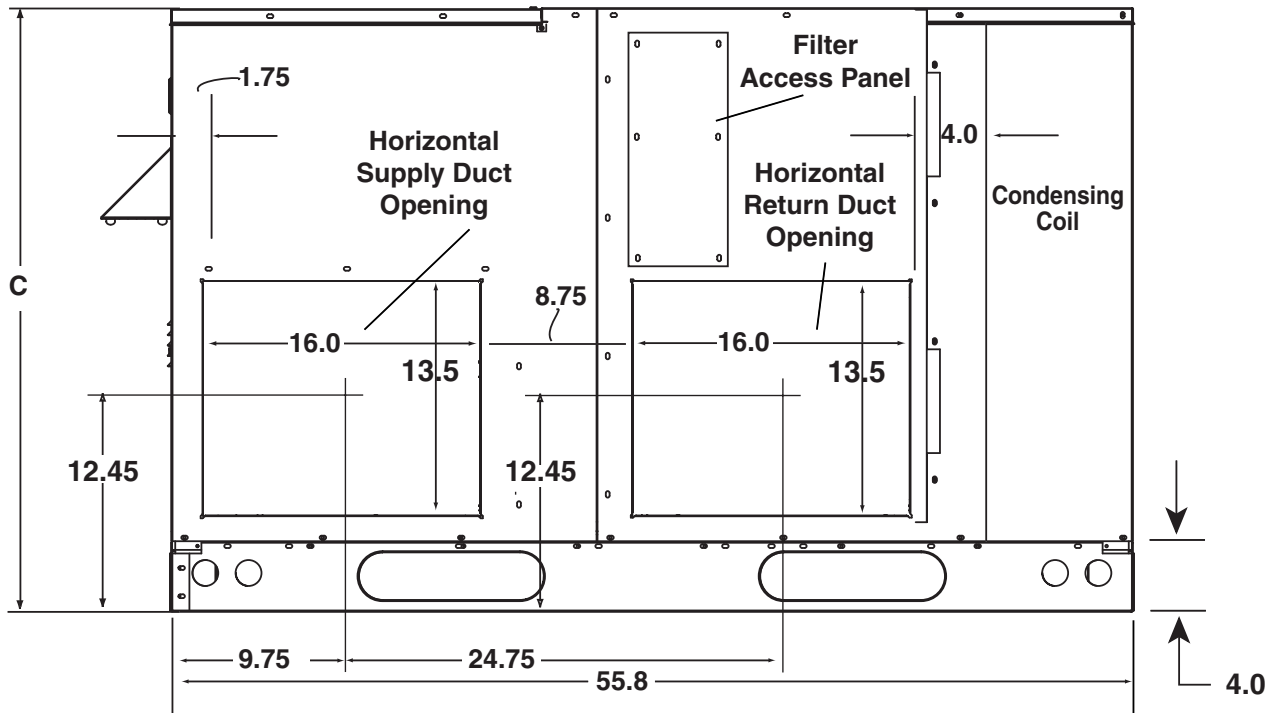


Model Number GR4GC-	Unit Weight	Center of Gravity		Height (in inches)	
		A	B	C	
				with base rails	without base rails
036C072X	422	25.5	27.0	35	31.3
036C096X	428	25.0	27.0	35	31.3
048C096X	463	26.0	27.0	39	35.3
048C120X	465	25.5	27.0	39	35.3
060C096X	490	26.0	27.0	39	35.3
060C120X	495	25.5	27.0	39	35.3

DIMENSIONS Continued



Side View



Back (Duct) View

SPECIFICATIONS AND ELECTRICAL DATA

THREE PHASE

Model GR4GC-	036C072X	036C096X	048C096X	048C120X	060C096X	060C120X
Performance						
Heating Input BTUH	72,000	96,000	96,000	120,000	96,000	120,000
Heating Output BTUH	56,000	75,000	75,000	94,000	75,000	94,000
Capacity-Cooling BTUH	35,500	35,500	46,000	46,000	58,000	58,000
AFUE	78	78	78	78	78	78
Efficiency - SEER	12.00	12.00	12.00	12.00	12.00	12.00
Efficiency - EER	9.00	9.00	10.50	10.50	8.70	8.70
Electrical Rating - 60 Hz						
Phase	3	3	3	3	3	3
Operating Voltage Range	187 - 253	187 - 253	187 - 253	187 - 253	187 - 253	187 - 253
Minimum Circuit Ampacity	17.3	17.3	25.7	25.7	29.6	29.6
Max. Over-current Protection	25	25	40	40	45	45
Compressor Data						
Volts	208 / 230	208 / 230	208 / 230	208 / 230	208 / 230	208 / 230
Rated Load Amps	10.4	10.4	16.4	16.4	19.3	19.3
Lock Rotor Amps	65.5	65.5	91	91	133	133
Indoor Blower						
Wheel Blower	10x10		11x10			
Type / No. of Speeds	DD / 3	DD / 3	DD / 4	DD / 4	DD / 4	DD / 4
Motor - HP / RPM	1/2 - 1100	1/2 - 1100	3/4 - 1100	3/4 - 1100	3/4 - 1100	3/4 - 1100
Motor - Amps	3.1	3.1	4.0	4.0	4.0	4.0
Outdoor Fan						
Motor - HP / RPM	1/4 - 1100	1/4 - 1100	1/4 - 1100	1/4 - 1100	1/4 - 1100	1/4 - 1100
Motor - Amps	1.2	1.2	1.2	1.2	1.5	1.5
Fan Diameter / CFM	20 / 3500	20 / 3500	20 / 3500	20 / 3500	20 / 3500	20 / 3500
Refrigerant Charge - oz.	78	78	185	185	215	215

AIRFLOW DATA

Model Number	Heating Input (Btuh)	Heating Output (Btuh)	Heating Rise Range (F)	Cooling Output (Btuh)	Motor Speed	Blower Size	Motor HP	External Static Pressure (Inches Water Column)																															
								0.1		0.2		0.3		0.4		0.5		0.6		0.7		0.8																	
								CFM	Rise	CFM	Rise	CFM	Rise	CFM	Rise	CFM	Rise	CFM	Rise	CFM	Rise	CFM	Rise	CFM	Rise														
036C072X	72,000	56,000	40-70	35,500	High Medium Low**	10 X 10	1/2	1852	-	1775	-	1687	-	1590	-	1482	-	1365	40	1237	44	1100	49	1736	-	1650	-	1558	-	1460	-	1357	40	1247	44	1131	48	1010	52
036C096X	96,000	75,000	45-75	35,500	High Medium Low**	10 X 10	1/2	1697	-	1600	-	1503	46	1406	49	1309	53	1212	57	1115	62	1018	68	1427	-	1361	40	1290	42	1214	45	1134	48	1049	52	959	56	865	62
048C096X	96,000	75,000	45-75	46,000	High Med-High Med-Low**	11 X 10	3/4	2393	-	2307	-	2220	-	2134	-	2047	-	1961	-	1874	-	1787	-	1811	-	1751	-	1690	45	1626	47	1561	48	1493	50	1423	53	1351	55
048C120X	120,000	94,000	45-75	46,000	High Med-High Med-Low**	11 X 10	3/4	1485	51	1439	52	1387	54	1328	56	1262	59	1190	62	1111	66	1025	72	2061	-	1989	-	1917	45	1845	47	1773	49	1701	51	1628	53	1556	56
060C096X	96,000	75,000	45-75	58,000	High Med-High** Med-Low* Low	11 X 10	3/4	1635	53	1578	55	1522	57	1465	59	1409	62	1352	64	1296	67	1240	70	2393	-	2307	-	2220	-	2134	-	2047	-	1961	-	1874	-	1787	-
060C120X	120,000	94,000	45-75	58,000	High Med-High** Med-Low* Low	11 X 10	3/4	1811	-	1751	-	1690	45	1626	47	1561	48	1493	50	1423	53	1351	55	2171	-	2093	-	2016	-	1938	-	1860	-	1782	-	1704	45	1625	47
								1485	51	1439	52	1387	54	1328	56	1262	59	1190	62	1111	66	1025	72	1811	-	1751	-	1690	45	1626	47	1561	48	1493	50	1423	53	1351	55
								1485	51	1439	52	1387	54	1328	56	1262	59	1190	62	1111	66	1025	72	1485	51	1439	52	1387	54	1328	56	1262	59	1190	62	1111	66	1025	72
								2061	-	1989	-	1917	45	1845	47	1773	49	1701	51	1628	53	1556	56	2061	-	1989	-	1917	45	1845	47	1773	49	1701	51	1628	53	1556	56
								1865	46	1813	48	1752	49	1690	52	1599	54	1507	58	1406	62	1295	67	1865	46	1813	48	1752	49	1690	52	1599	54	1507	58	1406	62	1295	67
								1635	53	1578	55	1522	57	1465	59	1409	62	1352	64	1296	67	1240	70	1635	53	1578	55	1522	57	1465	59	1409	62	1352	64	1296	67	1240	70
								1357	64	1308	66	1258	69	1209	72	1159	75	1110	-	1060	-	1011	-	1357	64	1308	66	1258	69	1209	72	1159	75	1110	-	1060	-	1011	-

* - Factory Set Heating Speed
 ** - Factory Set Cooling Speed

GR4GC ACCESSORIES

Description	Part Number
Roof Curb (8")	547830
Roof Curb (14")	547831
Roof Curb (18")	547850
Roof Curb (24")	547851
Cap, Duct Adapter, 12" Round	913811A
Cap, Duct Adapter, 14" Round	913812A
Circuit Breaker, disconnect 3 phase	913740
Concentric diffuser, flush, 16"	547836
Concentric diffuser, flush, 18"	547837
Supply/return transition, 16"	547834
Supply/return transition, 18"	547835
Concentric diffuser, step down 16"	547838
Concentric diffuser, step down 18"	547839
CO2 sensors (special order)	547848
Economizer, downflow 3-position w/filter	547897
Economizer, downflow w/filter (does not require filter kit) modulating	547833
Economizer, horizontal (special order) modulating	547841
Economizer, horizontal 3-position w/filter	547896
Power Exhaust for use with downflow economizer (208/230 3 Phase)	555578
Power Exhaust for use with horizontal economizer (208/230 3 Phase)	555580
Power Exhaust for use with downflow economizer (460V 3 Phase)	555579
Power Exhaust for use with horizontal economizer (460V 3 Phase)	555581
Power Exhaust for use with downflow economizer (575V 3 Phase)	555651
Manual Fresh Air Damper	547832
Motorized Fresh Air Damper	547840
Filter Kit not required on units produced after July 2006 or with economizer R4GA 024 -042, R4GC 024, P4SA 036	547886
Filter Kit (not required with economizer) P4SA 048, P4SC 036, Q4SA 036	547887
Filter Kit not required on units produced after July 2006 or with economizer R4GA 048 - 060, R4GC 030 - 042, P4SA 060, P4SC 048 - 060, Q4SA 048 - 060, Q4SC 036	547888
Filter Kit not required on units produced after July 2006 or with economizer R4GC 048 - 060, Q4SC 048 - 060	547889
Filter Rack, All Downflow Applications not required on units produced after July 2006 or with economizer	547885
Hood Type Hail Guard, Coil Dim. 30" X 60" P4SA036, R4GA024, 030, 036, 042, R4GC024	547844
Hood Type Hail Guard, Coil Dim. 30" X 76" P4SA048, P4SC036, Q4SA036	547845
Hood Type Hail Guard, Coil Dim. 34" X 76" P4SA060, P4SC048, 060, Q4SA048, 060, Q4SC036, R4GA048, 060, R4GC030, 036, 042	547846
Hood Type Hail Guard, Coil Dim. 38" X 76" Q4SC048, 060, R4GC048, 060	547847
Low Ambient Kit	913549A
High Pressure Switch Kit	913550
Low Pressure Switch Kit	913551
LP Gas Conversion Kit, Canadian (0 to 4,500 ft above sea level)	904091A
LP Gas Conversion Kit, U.S. (0 ft to 10,000 ft above sea level)	904090A
Outdoor Thermostat Kit	913852
Smoke Detector, Duct Mount, Photo Electric Type	547892
Smoke Detector, Multi Signal Control	547893
Smoke Detector, Sampling Tube ST3	547894
Smoke Detector, Sampling Tube ST5	547895

