

R4GD Series

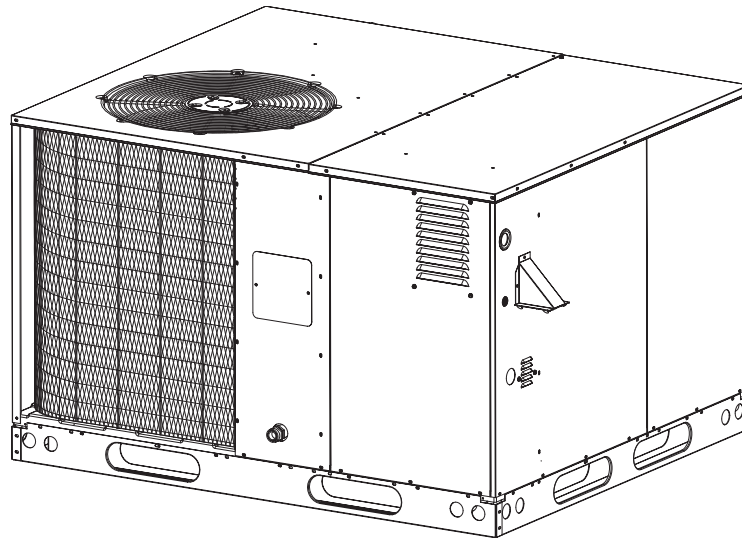
2-Stage Heating with Variable Speed Blower

Single Packaged Gas/Electric Units

R4GD 13 SEER

2 Ton thru 5 Ton Units

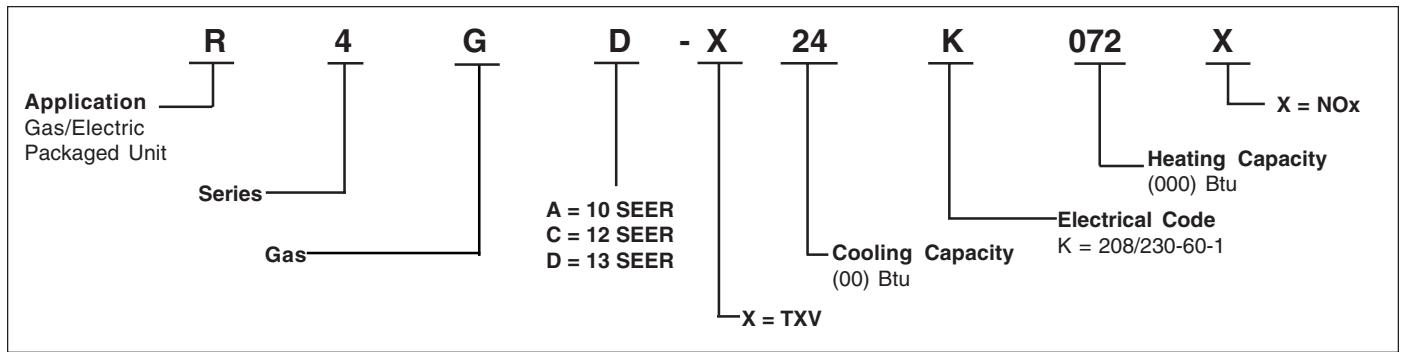
The R4GD Series single packaged gas/electrics are high efficiency self contained cooling units that can be installed on the roof or on a slab. The convertible unit design makes installations simple in all applications. Units are ETL and ETLc listed. The unit is truly designed with the contractor and the consumer in mind.



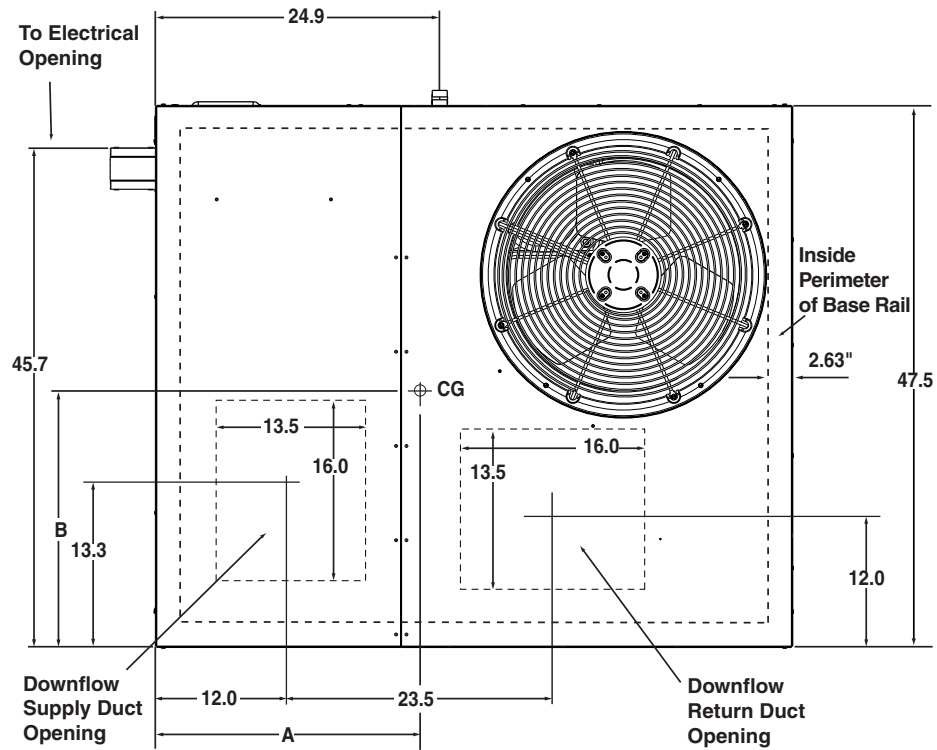
FEATURES AND BENEFITS

- **Compact Footprint/Low Profile**
Easy to handle and transport.
- **Heavy-Gauge, Full Perimeter Base Rails**
Facilitates forklift handling and curb mounting.
- **Convertible Air Delivery**
Horizontal or downflow to accommodate rooftop or horizontal application.
- **Galvanized Steel Cabinet**
with polyurethane finish provides 950 hour salt spray protection to resist corrosion.
- **Plastic Coated Coil Guard and Mesh Hail Guard**
Will never rust and protect the coil from being damaged by balls, lawnmowers, hail etc.
- **Accessible Service Ports**
Quick access to refrigerant system without disrupting operation.
- **Access to Controls and Major Components**
Easy in and out service.
- **Corrosion-Resistant Drain Pan**
Quickly drains away evaporator condensate.
- **Smaller Panels, Great Fit and Finish, Total Seal**
Well-designed, quality construction. Drip edge on top panels whisks away rainwater. Embossed bottom pan keeps blower component compartment dry.
- **Thermal Expansion Valve**
Factory installed externally equalized thermal expansion valve provides precise refrigerant control under varying load conditions.
- **2-Stage Heating**
Provides increased comfort levels.
- **2-Stage Cooling**
Features Copeland ultra-tech compressor (available on 5 ton Model only).
- **Proven, Industry Standard Components**
Easier service and availability.
- **ECM Variable Speed Motor**
Advanced technology allows the motor to automatically adjust to different static loads. The variable speed motor allows for extra quiet operation and improved air quality.
- **Quiet Operation**
Low vibration. 20" fan blade combined with custom venturi condenser fan.
- **8 Year Residential Parts Warranty and 5 Year Quality Pledge**
The best warranty in the business. Extended labor protection plans are available.
- **One Year Commercial Parts Warranty**

MODEL IDENTIFICATION CODE



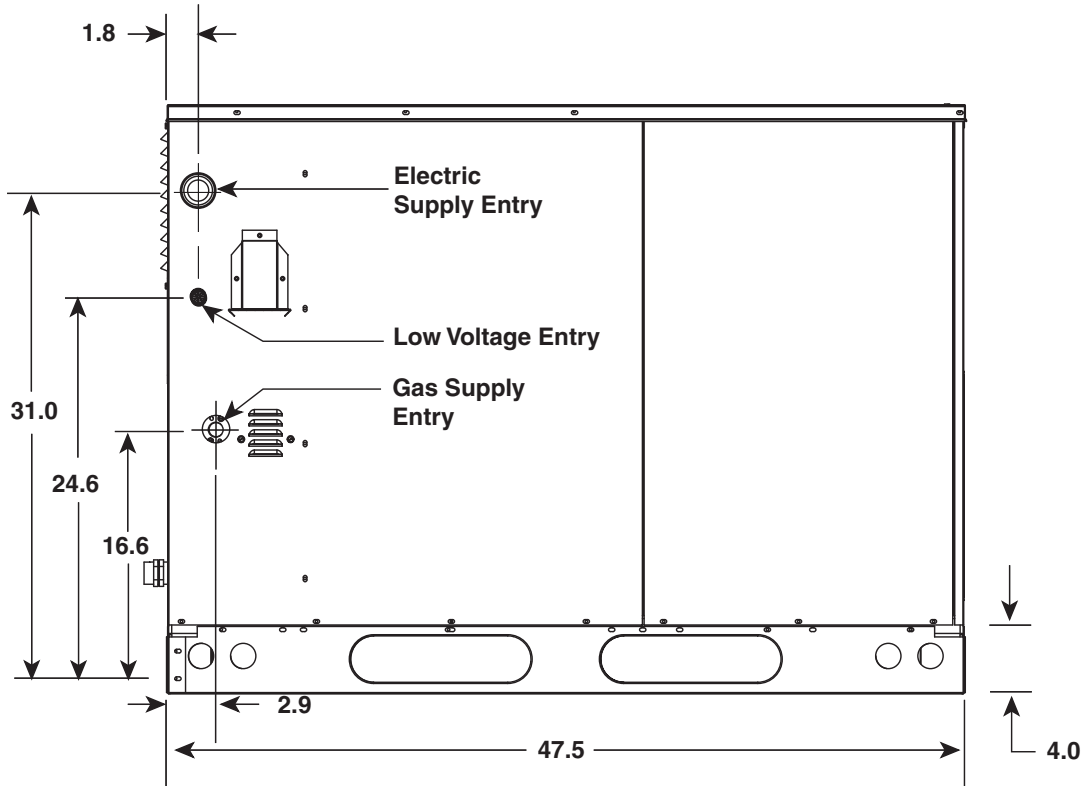
DIMENSIONS



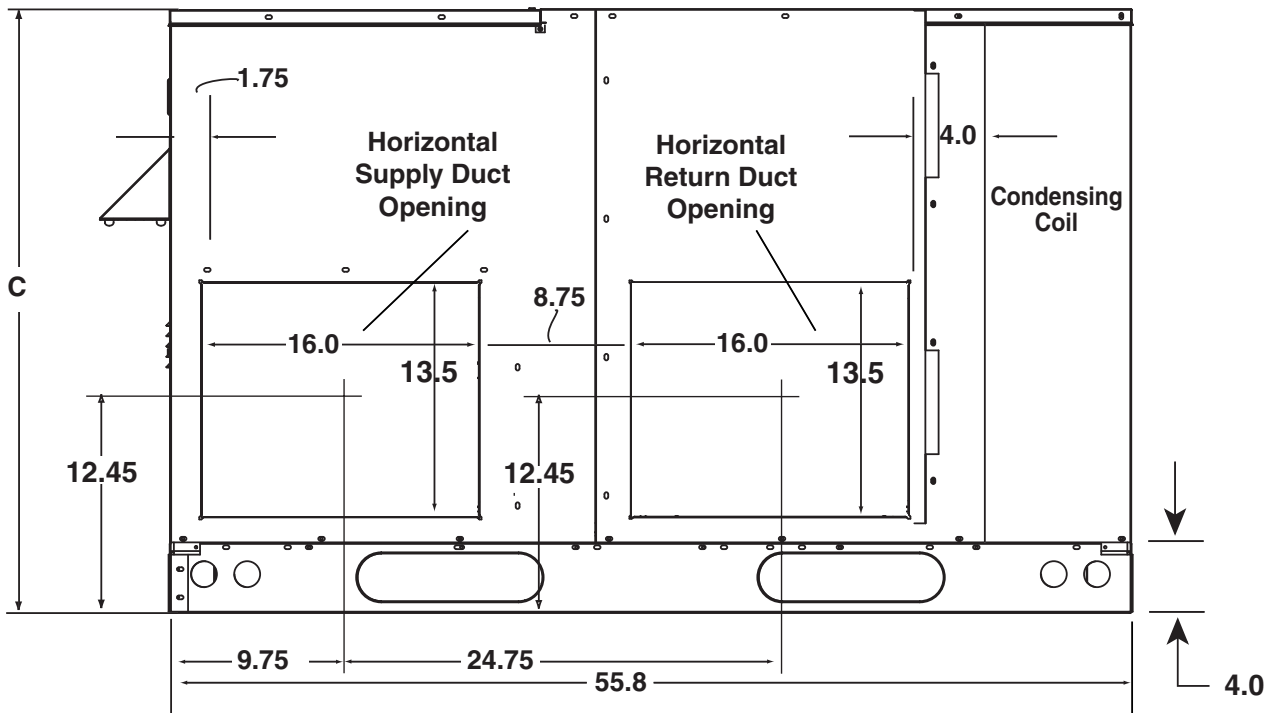
Top View

| Model Number | Unit Weight | Shipping Weight | Center of Gravity | | Height (in inches) | |
|--------------|-------------|-----------------|-------------------|------|--------------------|--------------------|
| | | | A | B | C | |
| | | | | | with base rails | without base rails |
| X24K072X | 410 | 420 | 25.5 | 27.0 | 35.0 | 31.3 |
| X30K072X | 430 | 440 | 26.0 | 26.5 | 39.0 | 35.3 |
| X36K100X | 480 | 490 | 26.0 | 27.0 | 39.0 | 35.3 |
| X42K100X | 480 | 490 | 27.0 | 26.5 | 39.0 | 35.3 |
| X48K120X | 530 | 540 | 27.0 | 26.5 | 43.0 | 39.3 |
| X60K120X | 560 | 570 | 27.0 | 26.5 | 43.0 | 39.3 |

DIMENSIONS (Continued)



Side View



Back View

SPECIFICATIONS AND ELECTRICAL DATA

SINGLE PHASE

| MODEL | R4GD-X24K072X | R4GD-X30K072X | R4GD-X36K100X | R4GD-X42K100X | R4GD-X48K120X | R4GD-X60K120X |
|----------------------------------|-----------------|-----------------|------------------|------------------|------------------|------------------|
| Performance | | | | | | |
| Heating Input High/Low Btuh | 72,000 / 48,000 | 72,000 / 48,000 | 100,000 / 60,000 | 100,000 / 60,000 | 120,000 / 72,000 | 120,000 / 72,000 |
| Heating Output High/Low Btuh | 56,000 / 37,500 | 56,000 / 37,500 | 78,000 / 47,000 | 78,000 / 47,000 | 94,000 / 56,000 | 94,000 / 56,000 |
| Capacity-Cooling Btuh | 24,000 | 29,000 | 35,000 | 40,000 | 46,000 | 54,000 |
| AFUE | 78 | 78 | 78 | 78 | 78 | 78 |
| Efficiency -- SEER | 13.00 | 13.00 | 13.00 | 13.00 | 13.00 | 13.00 |
| Efficiency -- EER | 11.7 | 11.7 | 11.3 | 11.8 | 11.7 | 10.5 |
| Electrical Rating - 60 Hz | | | | | | |
| Phase | 1 | 1 | 1 | 1 | 1 | 1 |
| Operating Voltage Range | 187 - 253 | 187 - 253 | 187 - 253 | 187 - 253 | 187 - 253 | 187 - 253 |
| Minimum Circuit Ampacity | 20.63 | 22.5 | 30.8 | 32.7 | 35.8 | 41.4 |
| Max. Overcurrent Protection | 30 | 35 | 45 | 50 | 50 | 60 |
| Compressor Data | | | | | | |
| Volts | 208 / 230 | 208 / 230 | 208 / 230 | 208 / 230 | 208 / 230 | 208 / 230 |
| Rated Load Amps | 12.1 | 13.6 | 16.4 | 17.9 | 20.4 | 24.6 |
| Lock Rotor Amps | 54 | 67 | 83 | 88 | 109 | 118 |
| Indoor Blower | | | | | | |
| Wheel Diameter | 10 x 10 | 10 x 10 | 11 x 10 | 11 x 10 | 11 x 10 | 11 x 10 |
| Motor Type | Variable Speed | Variable Speed | Variable Speed | Variable Speed | Variable Speed | Variable Speed |
| Motor HP | 1/2 | 1/2 | 1 | 1 | 1 | 1 |
| Motor Amps | 4.3 | 4.3 | 9.1 | 9.1 | 9.1 | 9.1 |
| Outdoor Fan | | | | | | |
| Motor HP | 1/4 | 1/4 | 1/4 | 1/4 | 1/4 | 1/3 |
| Motor Amps | 1.2 | 1.2 | 1.2 | 1.2 | 1.2 | 1.5 |
| Fan Diameter/CFM | 20" / 3500 | 20" / 3500 | 20" / 3500 | 20" / 3500 | 20" / 3500 | 20" / 3500 |
| Refrigerant Charge (oz) | 104 | 104 | 115 | 192 | 226 | 235 |

AIRFLOW DATA

| Model Number R4GD | Heating Input (Btuh) | Heating Output (Btuh) | Heat Switch Setting | CFM | Heating Rise Range (°F) | Cooling Output (Btuh) | Blower Size | Motor HP |
|-------------------|----------------------|-----------------------|---------------------|--------------|-------------------------|-----------------------|-------------|----------|
| X24K072X | 72,000 | 56,000 | 1,1 0,1 | 1200 1000 | 35-65 | 24,000 | 10 X 10 | 1/2 |
| | 48,000 | 37,500 | 1,1 0,1 | 990 750 | | | | |
| X24K072X | 72,000 | 56,000 | 1,1 0,1 | 1200 1000 | 35-65 | 29,000 | 10 X 10 | 1/2 |
| | 48,000 | 37,500 | 1,1 0,1 | 990 750 | | | | |
| X36K100X | 100,000 | 78,000 | 1,0 0,0 | 1585 1500 | 40-70 | 35,000 | 11 X 10 | 1 |
| | 60,000 | 47,000 | 1,0 0,0 | 1100 900 | | | | |
| X42K100X | 100,000 | 78,000 | 1,0 0,0 | 1585 1500 | 40-70 | 40,000 | 11 X 10 | 1 |
| | 60,000 | 47,000 | 1,0 0,0 | 1100 900 | | | | |
| X48K120X | 120,000 | 94,000 | 1,1 0,1 | 2005 1805 | 40-70 | 45,000 | 11 X 10 | 1 |
| | 72,000 | 56,000 | 1,1 0,1 | 1200 1100 | | | | |
| X60K120X | 120,000 | 94,000 | 1,1 0,1 | 2005 1805 | 40-70 | 54,000 | 11 X 10 | 1 |
| | 72,000 | 56,000 | 1,1 0,1 | 1200 1100 | | | | |

NOTE: CFM and Rise are independent of ESP in a variable speed blower.

Cooling Airflow Settings

| SWITCH NUMBER | | | | | | | Recommended A/C Airflow Rate (CFM) | | | | | | | |
|---------------|---|---|---|---|---|---|------------------------------------|---------|-----------|------|-------|-------|---------|-------|
| 1 | 2 | 3 | 4 | 5 | 6 | 7 | 2 - 2.5 TON | | 3 - 5 TON | | | | | |
| 0 | 0 | 0 | 1 | | | | 675 | 2.5 Ton | 2 Ton | 900 | 5 Ton | 4 Ton | 3.5 Ton | 3 Ton |
| 1 | 0 | 0 | 1 | | | | 720 | | | 1000 | | | | |
| 0 | 0 | 0 | 0 | | | | 750 | | | 1100 | | | | |
| 1 | 0 | 0 | 0 | | | | 800 | | | 1215 | | | | |
| 0 | 0 | 1 | 0 | | | | 825 | | | 1350 | | | | |
| 1 | 0 | 1 | 0 | | | | 880 | | | 1485 | | | | |
| 0 | 1 | 0 | 1 | | | | 945 | | | 1530 | | | | |
| 1 | 1 | 0 | 1 | | | | 990 | | | 1700 | | | | |
| 0 | 1 | 0 | 0 | | | | 1050 | | | 1870 | | | | |
| 1 | 1 | 0 | 0 | | | | 1100 | | | 1890 | | | | |
| 0 | 1 | 1 | 0 | | | | 1155 | | | 2100 | | | | |
| 1 | 1 | 1 | 0 | | | | 1210 | | | 2310 | | | | |

NOTE: 0 = OFF 1 = ON

Heating Airflow Settings

| Nominal Airflow Rates (CFM) and Temperature Rises (°F) | | | | | | | | | | | | | | |
|--|----------|---|----------------|-----------|-----------------|-----------|----------------|-----------|-----------------|-----------|----------------|-----------|-----------------|-----------|
| Switches | | | R4GD-*072X | | | | R4GD-*100X | | | | R4GD-*120X | | | |
| | | | Low Fire Input | | High Fire Input | | Low Fire Input | | High Fire Input | | Low Fire Input | | High Fire Input | |
| 5 | 6 | 7 | 48,000 | | 72,000 | | 60,000 | | 100,000 | | 72,000 | | 120,000 | |
| 0 | 0 | # | N/A | N/A | N/A | N/A | 900 | 51 | 1500 | 51 | 900 | 61 | 1500 | 61 |
| 1 | 0 | # | N/A | N/A | N/A | N/A | 1100 | 42 | 1585 | 48 | 1100 | 50 | 1585 | 58 |
| 0 | 1 | # | 750 | 49 | 1000 | 55 | 1100 | 42 | 1805 | 42 | 1100 | 50 | 1805 | 51 |
| 1 | 1 | # | 990 | 37 | 1200 | 46 | 1200 | 38 | 2005 | 38 | 1200 | 46 | 2005 | 46 |

NOTE: 0 = OFF 1 = ON

Switch is not used — Can be 0 or 1

1. Recommended temperature rises are highlighted in **bold**.

2. Temperature rises in the table are approximate. Actual temperature rises may vary.

R4GD ACCESSORIES

| Description | Part Number |
|--|-------------|
| Roof Curb (8") | 547830 |
| Roof Curb (14") | 547831 |
| Roof Curb (18") | 547850 |
| Roof Curb (24") | 547851 |
| Cap, Duct Adapter, 12" Round | 913811A |
| Cap, Duct Adapter, 14" Round | 913812A |
| Filter Kit R4GD 024 | 547886 |
| Filter Kit R4GD 030 - 042 | 547888 |
| Filter Kit R4GD 048 - 060 | 547889 |
| Filter Kit, All Downflow Applications (not required with economizer) | 547885 |
| Low Ambient Kit | 913549A |
| High Pressure Switch Kit | 913550 |
| Low Pressure Switch Kit | 913551 |
| U.S. LP Gas Conversion Kit (0 ft to 10,000 ft above sea level) | 904090A |
| Canadian LP Gas Conversion Kit (0 to 4,500 ft above sea level) | 904091A |
| Outdoor Thermostat Kit | 913852 |
| Universal Hard Start Kit | 912933 |

We Encourage
Professionalism

Through Technician
Certification by NATE



619B-0605 (Replaces 619B-0305)

O'Fallon, MO

NORDYNE

Before purchasing this appliance, read important energy cost and efficiency information available from your retailer. Specifications and illustrations subject to change without notice and without incurring obligations. Printed in U.S.A. (06/05)