

# INSTALLATION INSTRUCTION

## INSTALLATION INSTRUCTIONS FOR FILTER RACK USED WITH R4GA/GC 024-060 P4SA/SC Q4SA/SC 036-060 UNITS

603A-0298

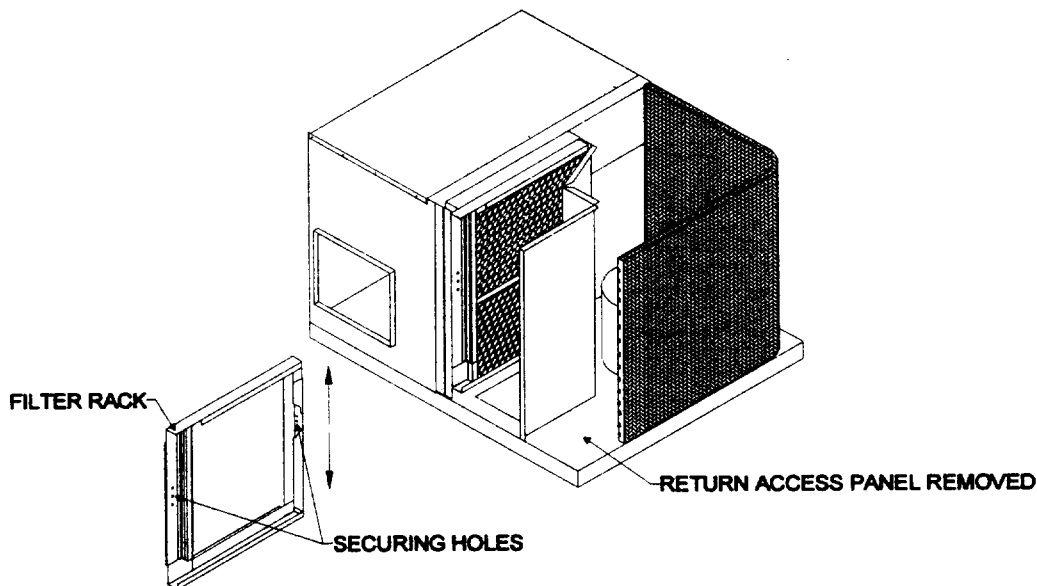
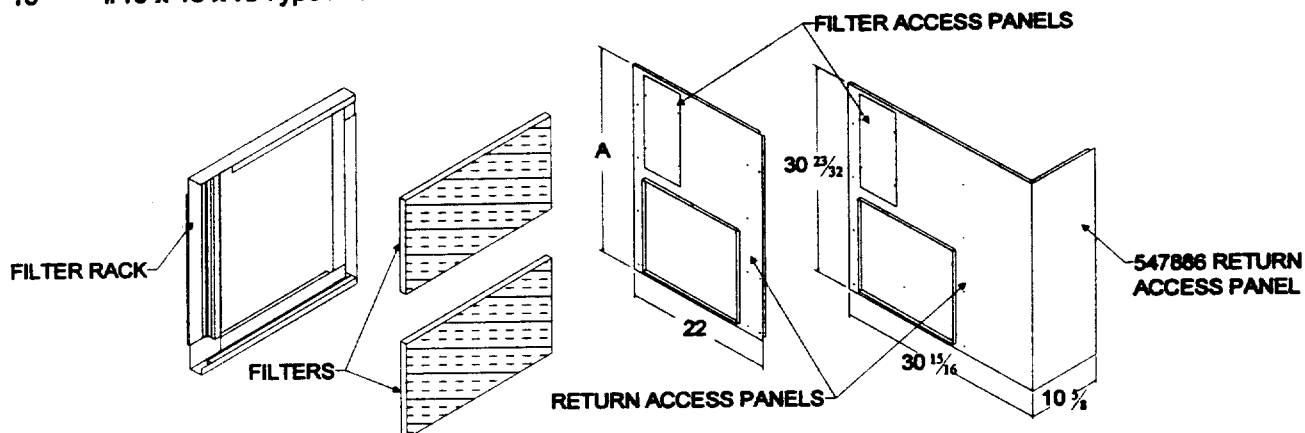
**!** Recognize this symbol as an indication of Important Safety Information!

### STEP 1:

Check for correct number of parts. See list below.

- 1 - Filter Rack
- 2 - Filters (2 of each size see table)
- 1 - Return Access Panels
- 10 - #10 x 16 x 1/2 Type A Screws

RETURN ACCESS PANELS		
547887	30 <sup>23</sup> / <sub>32</sub>	(2) 14" x 25" x 1"
547888	34 <sup>23</sup> / <sub>32</sub>	(2) 16" x 25" x 1"
547889	38 <sup>23</sup> / <sub>32</sub>	(2) 18" x 25" x 1"



### WARNING:

Disconnect electrical power to the unit. Failure to do so can cause electrical shock resulting in personal injury or death.

### STEP 2:

Remove unit return access panel. Retain screws for later use.

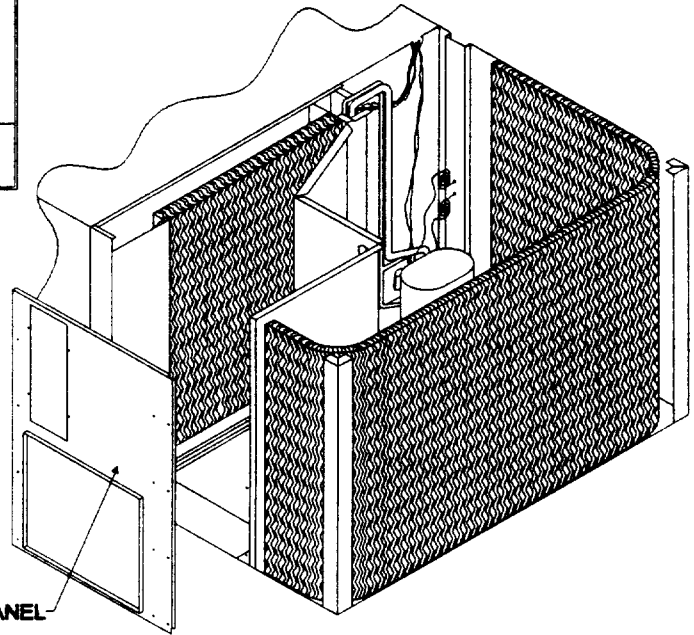
### STEP 3:

Insert filter rack in unit in front of coil, then expand the rack so it is resting on the bottom of unit and touching the top of unit. Using screws provided secure filter rack to proper height in front and back. Now install filters in rack, see chart on back page.

# INSTALLATION INSTRUCTION

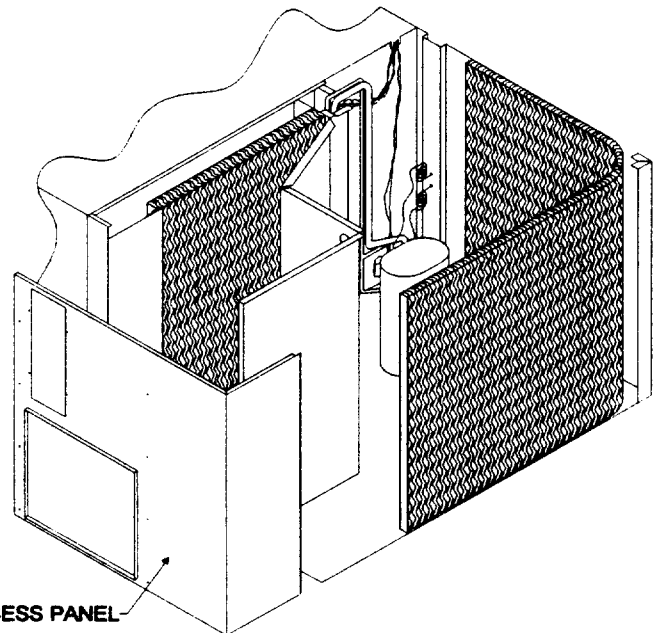
## INSTALLATION INSTRUCTIONS FOR FILTER RACK USED WITH R4GA/GC 024-060 P4SA/SC Q4SA/SC 036-060 UNITS

P4SA 048 P4SC 036 Q4SA 036	30 7/2 x 22	(2) 14" x 25" x 1"	547887
R4GA 048-060 R4GC 030-042 P4SA 060 P4SC 048-060 Q4SA 048-060 Q4SC 036	34 7/2 x 22	(2) 16" x 25" x 1"	547888
R4GC 048-060 Q4SC 048-060	38 7/2 x 22	(2) 18" x 25" x 1"	547889



**STEP 4:**  
Put in place and secure new return access panel.

UNIT SIZE	FILTER SIZE	PART#
R4GA 024-042 R4GC 024 P4SA 036	(2) 14" x 25" x 1"	547886



**STEP 5:**  
Put in place and secure new return access panel.

**STEP 6:**  
Turn power back on to the unit.