

INSTALLATION INSTRUCTIONS

INSTALLATION INSTRUCTIONS FOR MODEL 547844 HAIL GUARD

FORM# 601A-0298

The Hail Guard is designed to prevent damage to the condenser coil of the unit. The following list of parts are required:

STEP 1:

Check for correct number of parts. See list below.

- 1 - Rear Hail Guard (A)
- 1 - Side Hail Guard (B)
- 1 - Rear Top Panel (C)
- 1 - Side Top Panel (D)
- 4 - Vertical Side Panel (E)
- 1 - Hardware Package
 - 30 - #10- 16 x 1/2 Screw
 - 1 - Installation Instruction

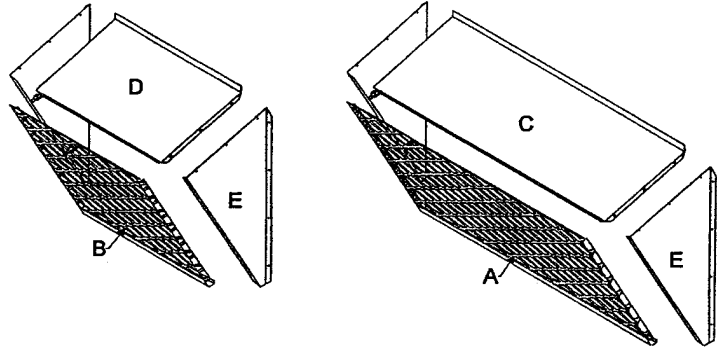


Figure 1

STEP 2:

Take (E) vertical side panels and assembly to their respective top panel (C) and (D)

STEP 3:

Secure (A) and (B) hail guards in between clips on the vertical side panels and close clips to hold guard in position.

STEP 4:

Slip top flange of the assembled kit under the top pan of the unit and fasten to unit. Use the existing screws on the unit and self-drilling screws to attach to the corner posts.

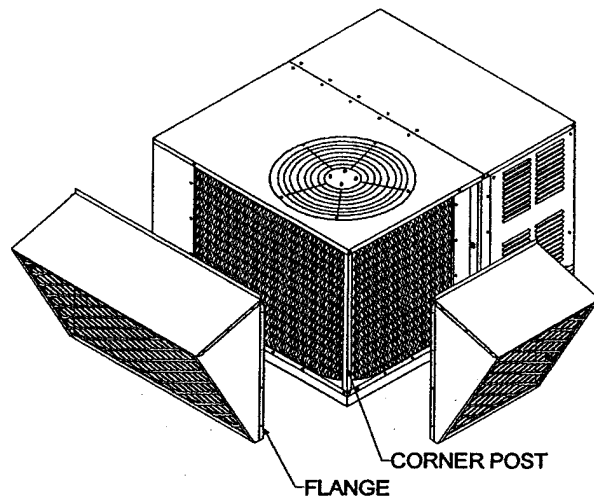


Figure 2

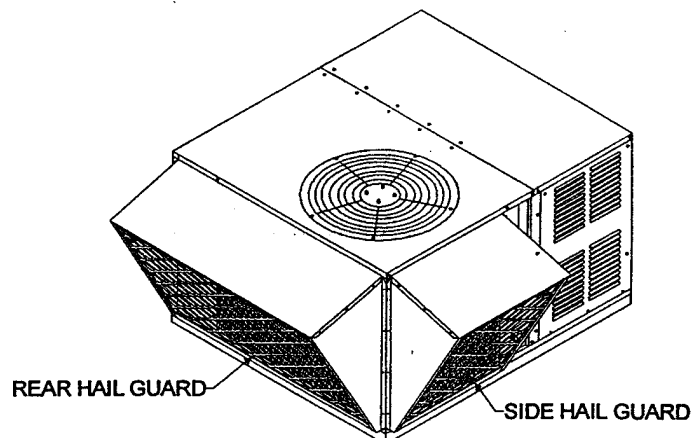


Figure 3

INSTALLATION INSTRUCTIONS

INSTALLATION INSTRUCTIONS FOR MODEL 547845 / 547846 / 547847 HAIL GUARDS

The Hail Guard is designed to prevent damage to the condensor coil of the unit. The following list of parts are required:

STEP 1:

Check for correct number of parts. See list below.

- 1 - Rear Hail Guard (A)
- 2 - Side Hail Guard (B & C)
- 1 - Rear Top Panel (D)
- 2 - Side Top Panel (E & F)
- 6 - Vertical Side Panel (G)
- 1 - Hardware Package
 - 44 - #10- 16 x 1/2 Screw
 - 1 - Installation Instruction

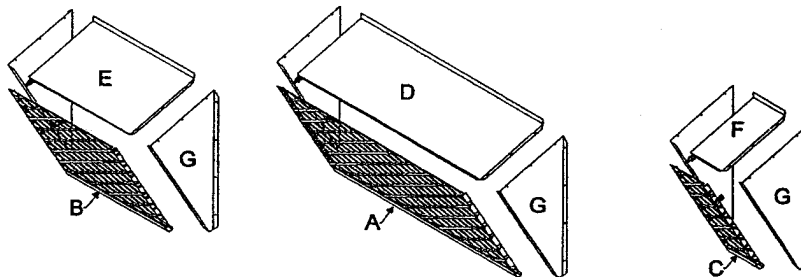


Figure 4

STEP 2:

Take (G) vertical side panels and assembly to their respective top panel (D), (E) and (F)

STEP 3:

Secure (A), (B) and (C) hail guards in between clips on the vertical side panels and close clips to hold guard in position.

STEP 4:

Slip top flange of the assembled kit under the top pan of the unit and fasten to unit. Use the existing screws on the unit and self-drilling screws to attach to the corner posts.

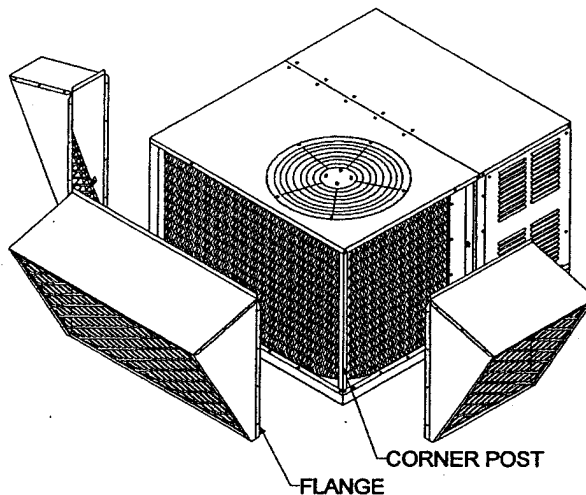


Figure 5

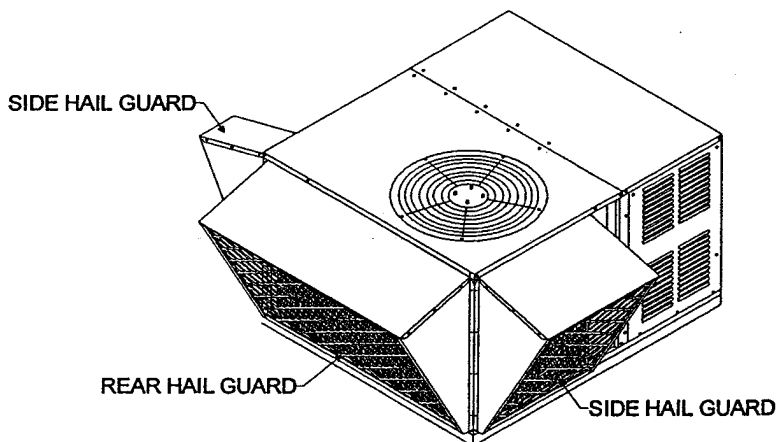


Figure 6