

INSTALLATION INSTRUCTION

INSTALLATION INSTRUCTIONS FOR 547833 ECONOMIZERS USED WITH R4GA/GC 024-060 P4SA/SC Q4SA/SC 036-060 UNITS

595A-0298

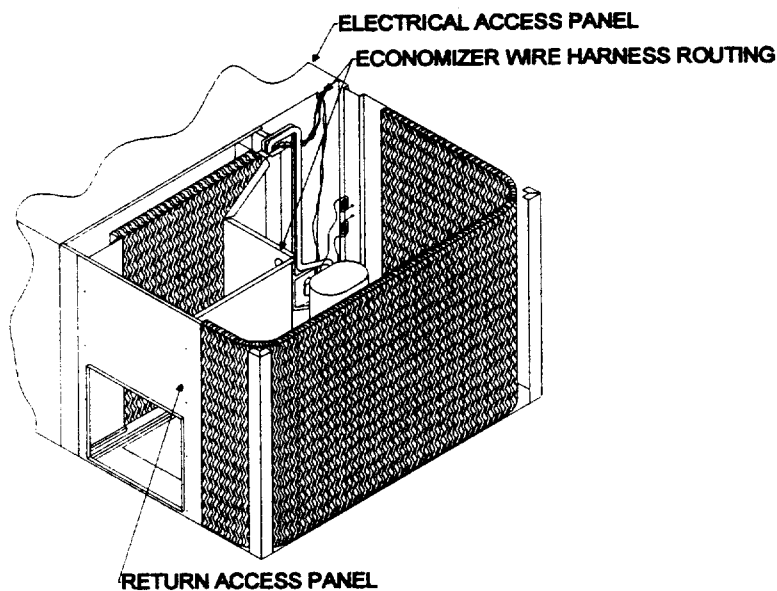
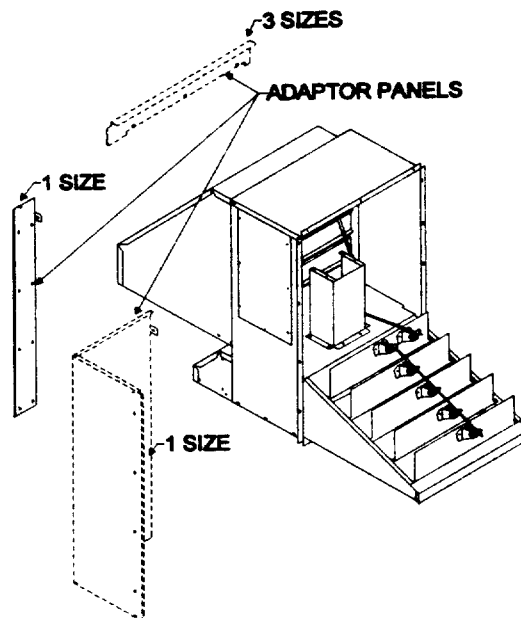
 Recognize this symbol as an indication of Important Safety Information!

547833 Economizer is used with R4GA/GC 024-060 P4SA/SC Q4SA/SC 036-060 units for automatic sensor-controlled introduction of outdoor air into the system through an electro-mechanically controlled damper.

STEP 1:

Check for correct number of parts. See list below.

- 1 - Economizer Assembly w/ Filter
- 5 - Adaptor Panels
- 1 - Outdoor Air Hood (Attached to Economizer)
- 1 - Wiring Diagram Sticker
- 1 - Relief Hood (Attached to Economizer)
- 10 - #10 x 16 x 1/2 Type A Screws



WARNING:

Disconnect electrical power to the unit. Failure to do so can cause electrical shock resulting in personal injury or death.

STEP 2:

Remove the return access panel and the Electrical access panel.

STEP 3:

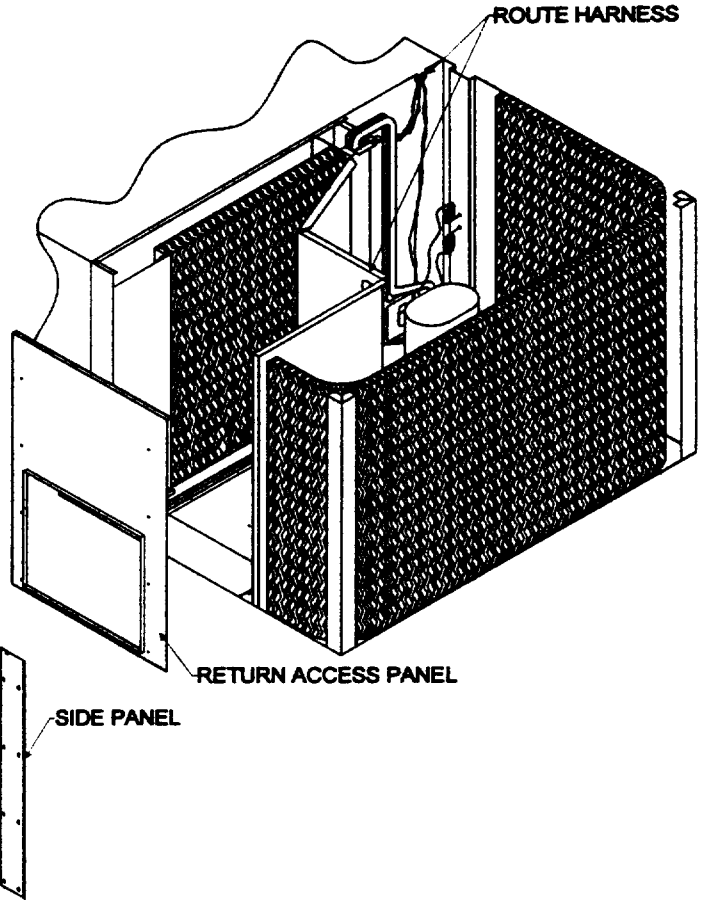
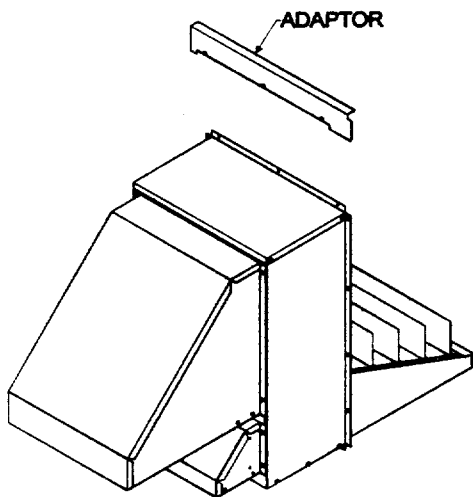
Remove the unit top panel by unscrewing and rotating the section over the compressor. Caution watch the cable between unit and compressor fan motor.

INSTALLATION INSTRUCTION

INSTALLATION INSTRUCTIONS FOR 547833 ECONOMIZERS USED WITH R4GA/GC 024-060 P4SA/SC Q4SA/SC 036-060 UNITS

2 CABINET ("A" & "B") TYPES

TYPE "A" CABINET:	
P4SA 048 P4SC 036 Q4SA 036	ADAPTOR 1 - 22 X 2.96 AND SIDE PANEL
R4GA 048-060 R4GC 030-042 P4SA 060 P4SC 048-060 Q4SA 048-060 Q4SC 036	ADAPTOR 2 - 22 X 6.96 AND SIDE PANEL
R4GC 048-060 Q4SC 048-060	ADAPTOR 3 - 22 X 11.96 AND SIDE PANEL



TYPE "A" CABINET

STEP 4:

Take the Side panel and attach it to the unit coil where return access panel was attached. **Caution not to puncture coil.**

STEP 5:

Take the tab on Side panel and place on the return side of divider wall and secure with self-tapping screw provided.

STEP 6:

Route the wire harness through divider walls prepunched hole and then over divider wall where existing wires are located.

STEP 7:

Slide Economizer over return opening in the bottom of unit. Be sure Economizer is setting flat on unit base for a good seal.

STEP 8:

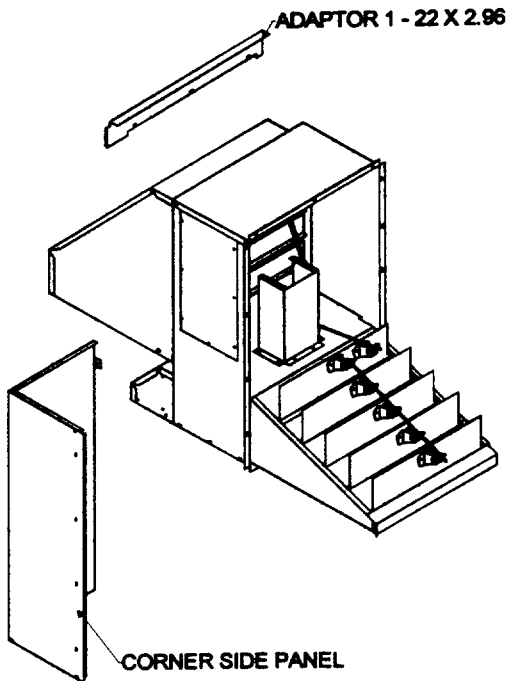
Secure Economizer using the screws that were removed in Step 2. Be sure that the screws go all the way through the divider wall in unit and secure the Side panel along bottom.

STEP 9:

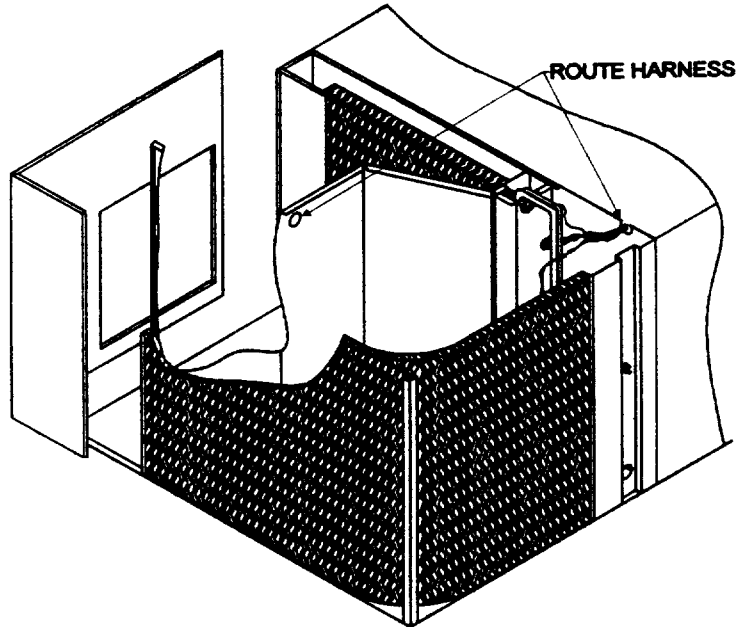
Move the unit top panel back in place and secure with the screws removed in Step 3. Then place Adaptor # (#-see chart above) underneath the top flange of unit and over the top flange of Economizer and secure with screws provided.

INSTALLATION INSTRUCTION

INSTALLATION INSTRUCTIONS FOR 547833 ECONOMIZERS USED WITH R4GA/GC 024-060 P4SA/SC Q4SA/SC 036-060 UNITS



TYPE "B" CABINET:	
R4GA 024-042 R4GC 024 P4SA 036	ADAPTOR 1 - 22 X 2.96 AND SIDE PANEL



TYPE "B" CABINET

STEP 4:

Take the Corner side panel and attach it to the unit coil where return access panel was attached. **Caution not to puncture coil.**

STEP 5:

Take the tab on Corner side panel and place on the return side of divider wall and secure with self-tapping screw provided.

STEP 6:

Route the wire harness through divider walls prepunched hole and then over divider wall where existing wires are located.

STEP 7:

Slide Economizer over return opening in the bottom of unit. Be sure Economizer is setting flat on unit base for a good seal.

STEP 8:

Secure Economizer using the screws that were removed in Step 2. Be sure that the screws go all the way through the divider wall in unit and secure the Corner side panel along bottom.

STEP 9:

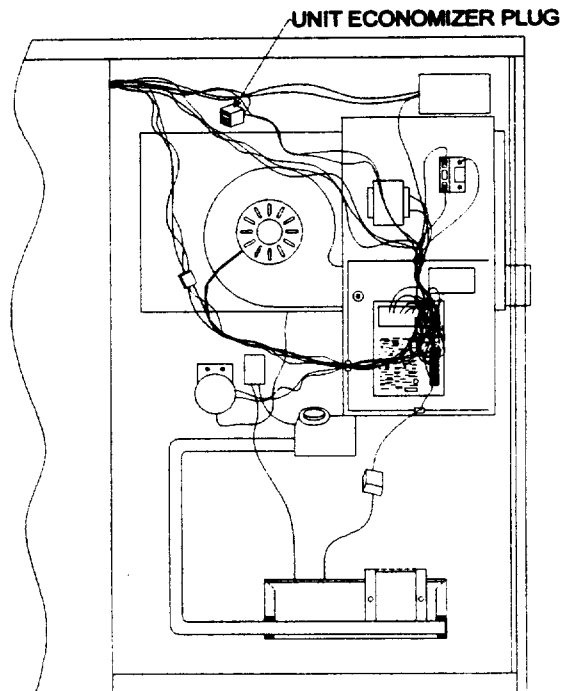
Move the unit top panel back in place and secure With the screws removed in Step 3. Then place Adaptor 1 underneath the top flange of unit and over the top flange of Economizer and secure with screws provided.

STEP 10:

Take the Economizer plug and connect to unit Economizer plug and replace electrical access panel.

STEP 11:

Turn power on and run through system checkout.



HARNES DETAL

- E# = WIRE END DESIGNATION
- E2 STUD #6 18 Ga. Wire
- E3 Female 1/2 Quick Disc
- E4 Male 1/2 Quick Disc, Insul
- E6 Wire Nut Size 738
- E7 Raw End
- E8 Female 1/2 Quick Disc

HARNES ENDS AT P1

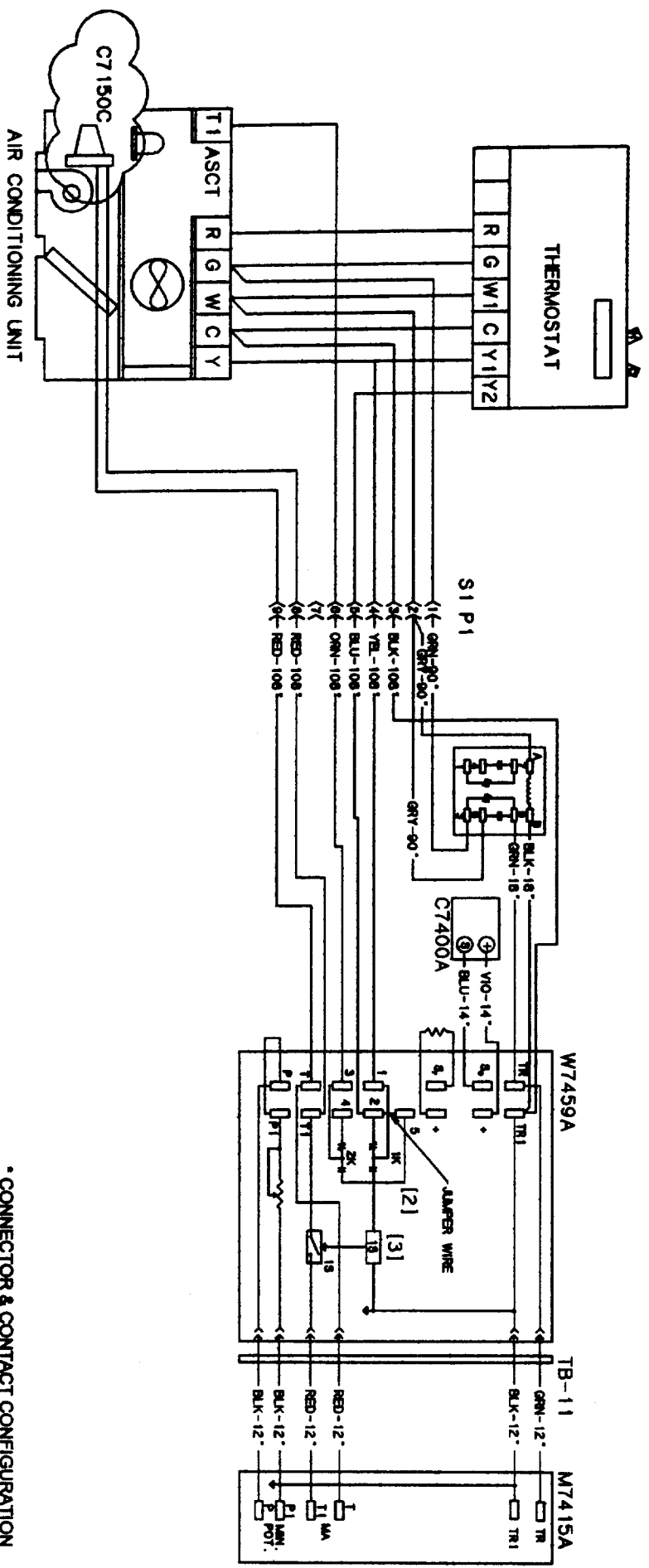
- C7400A
- M7415A
- C7150C
- W7459A
- P1
- S1
- TB-11

COMPONENT CODE

- Fresh Air Sensor
- Dampner Actuator 24V
- Mixed Air Sensor
- Logic Module
- Economizer Plug
- Unit Economizer Plug
- Terminal Board

WIRE COLOR CODE

- BLK Black
- GRN Green
- ORN Orange
- VIO Violet
- BLU Blue
- GRY Gray
- RED Red
- YEL Yellow



* CONNECTOR & CONTACT CONFIGURATION
P1 - (3039903) PLUG & (303913) SOCKET

- Notes:**
1. Unit wiring shown as reference only. Check unit wiring for actual unit wiring.
 2. Y2 must be energized for the compressor to operate during economizer operation.

Modulating Economizer
R4GAGC 024-060 PASASC Q4SASC 036-060

Rooftop Systems, Inc.
2405 McIver Lane
Carrollton, Texas 75006
Phone: (972) 247-7447
Fax: (972) 243-0940

Date: March 17, 1999
Drawn by:
Unit # 47-314-06

Diagram# 3 JW