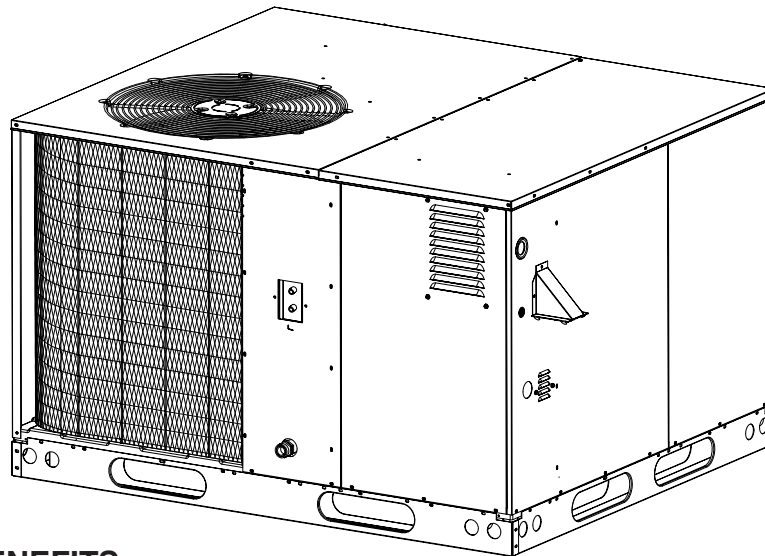


GR4GA Series

Single Packaged Gas/Electric Units

**GR4GA 10 SEER, Three Phase, 208/230V, 460V, 575V
3 Ton thru 5 Ton Units**

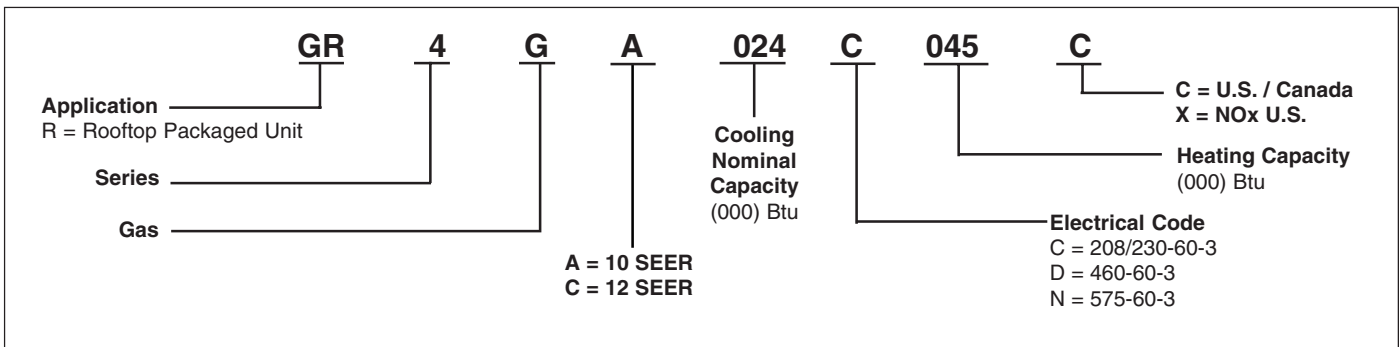
The GR4GA Series single packaged gas/electrics are high efficiency self contained cooling units that can be installed on the roof or on a slab. The convertible unit design makes installations simple in all applications. Units are ETL and ETLc listed. The unit is truly designed with the contractor and the consumer in mind.



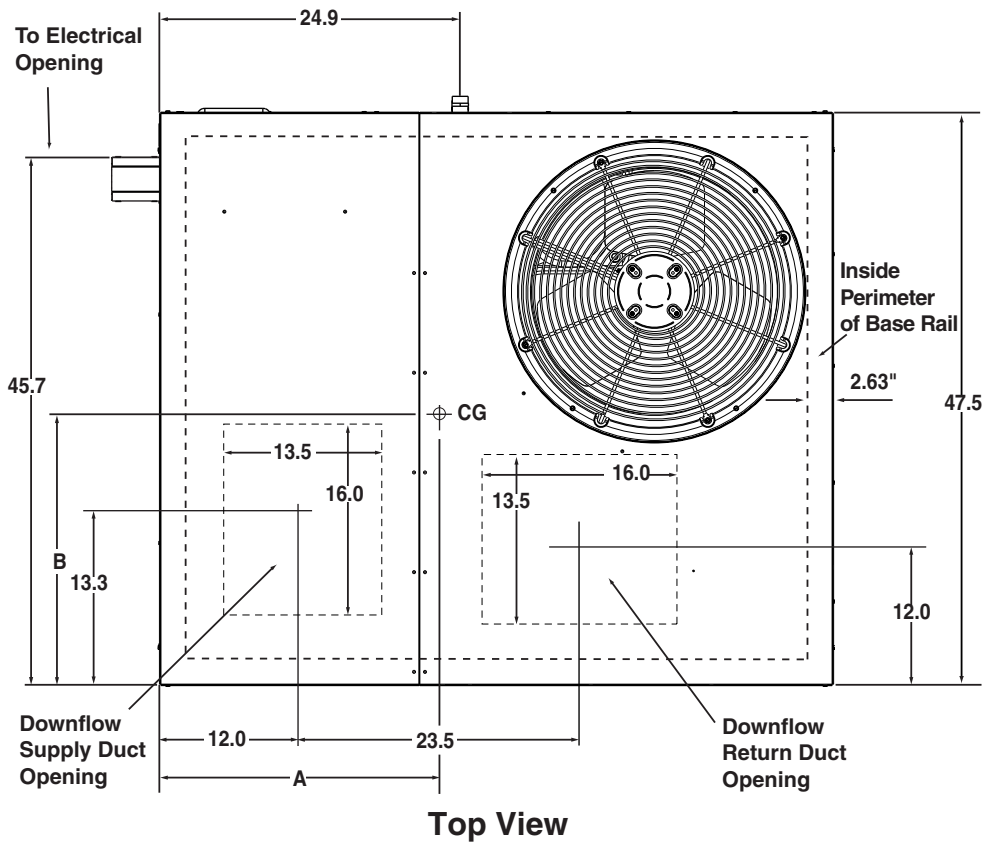
FEATURES AND BENEFITS

- **Compact Footprint/Low Profile**
Easy to handle and transport.
- **Heavy-Gauge, Full Perimeter Base Rails**
Facilitates forklift handling and curb mounting.
- **Convertible Air Delivery**
Horizontal or downflow to accommodate rooftop or horizontal application.
- **Galvanized Steel with Polyurethane Finish**
Provides a minimum of 950 hour salt spray protection to resist corrosion.
- **Plastic Mesh Hail Guard**
Will never rust and protects the coil from being damaged by balls, lawnmowers, hail etc.
- **Externally Accessible Service Ports**
Quick access to refrigerant system without disrupting operation.
- **Access to Controls and Major Components**
Easy in and out service.
- **Smaller Panels, Great Fit and Finish, Total Seal**
Well-designed, quality construction. Drip edge on top panels whisks away rainwater. Embossed bottom pan keeps blower component compartment dry.
- **Available in 208/230V, 460V and 575 volts.**
- **Factory Installed Filter Rack**
- **Corrosion-Resistant Drain Pan**
Quickly drains away evaporator condensate.
- **Proven, Industry Standard Components**
Easier service and availability.
- **Accessories**
Roof curbs, economizers, fresh air dampers and more.
- **Quiet Operation**
Low vibration. 20" fan blade combined with custom condenser fan orifice.
- **One Year Commercial Parts Warranty**
- **5 Year Limited Compressor Warranty**
- **10 Year Limited Heat Exchanger Warranty**

MODEL IDENTIFICATION CODE



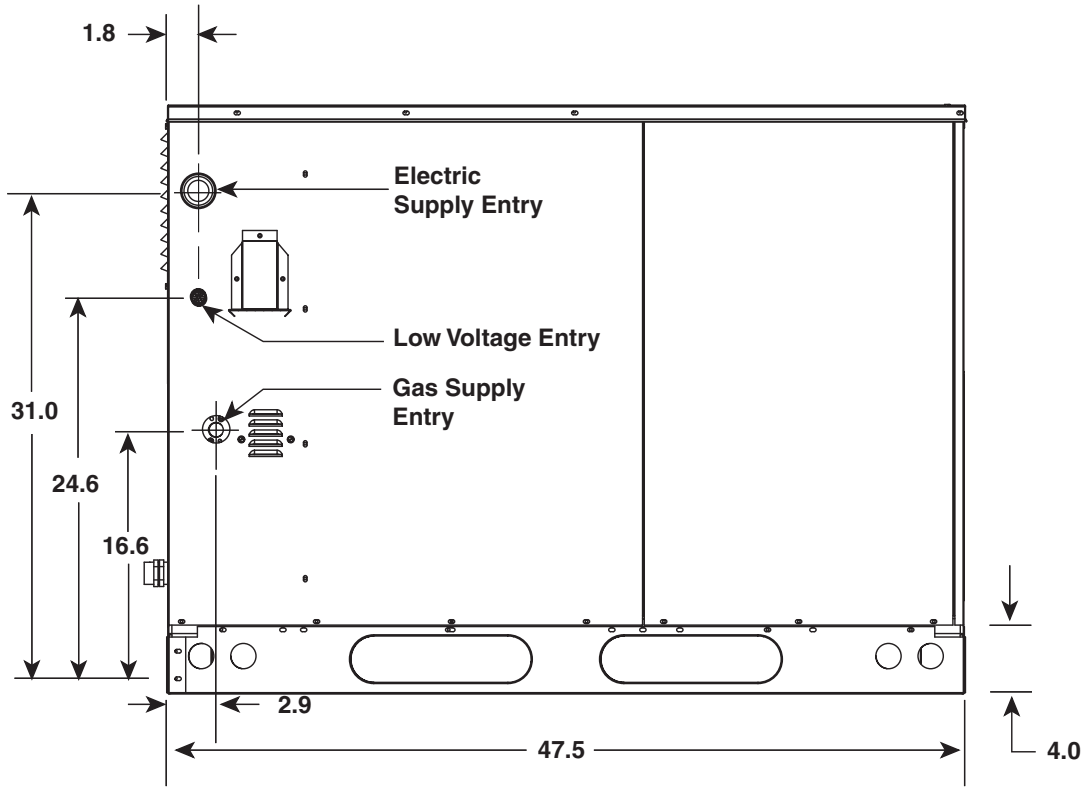
DIMENSIONS



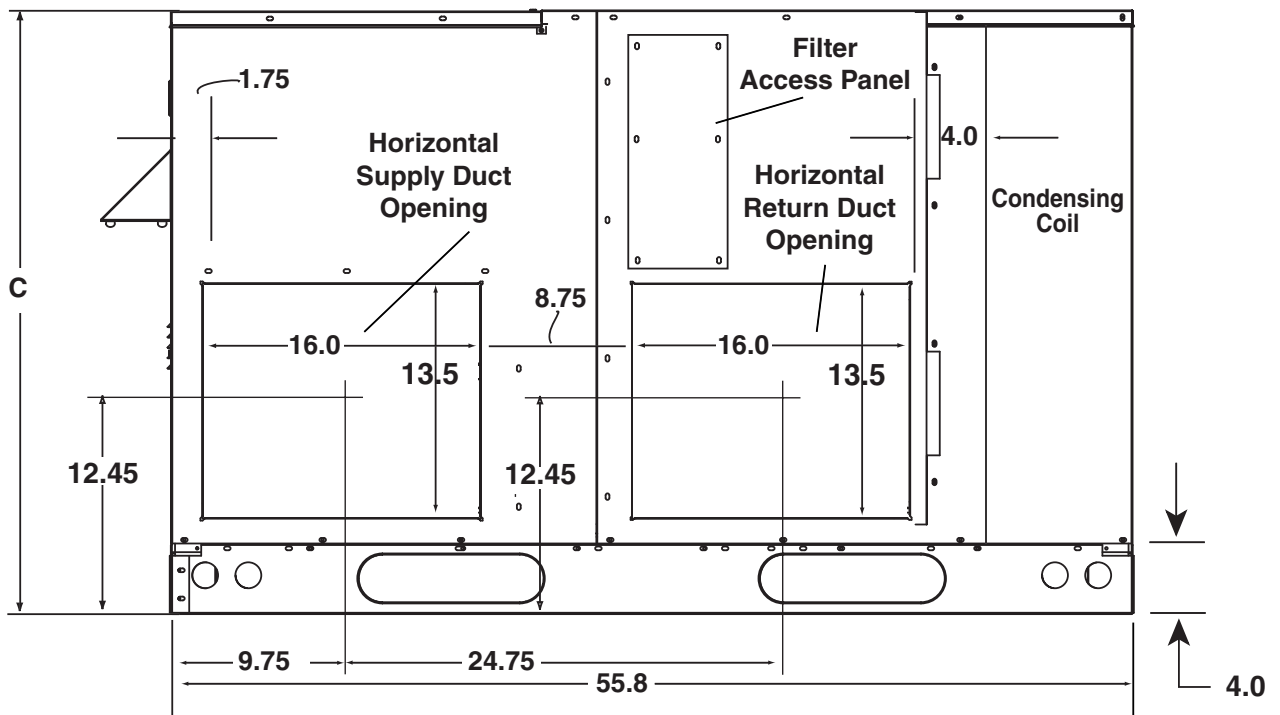
Model No. (*R4GA-	Unit Weight	Center of Gravity		Height (in inches)	
		A	B	C	
				with base rails	without base rails
036(*)072C	360	25.5	27.0	35.0	31.3
036(*)096C	365	25.0	27.0	35.0	31.3
048(*)096C	460	26.0	27.0	39.0	35.3
048(*)120C	470	25.5	27.0	39.0	35.3
060(*)096C	480	26.0	27.0	39.0	35.3
060(*)120C	490	25.5	27.0	39.0	35.3

* - Can be a K, C, N, or D

DIMENSIONS Continued



Side View



Back View

SPECIFICATIONS AND ELECTRICAL DATA

THREE PHASE

Model GR4GA-	036C072C	036C096C	048C096C	048C120C	060C096C	060C120C	036D072C	036D096C	048D096C	
Performance										
Heating Input BTUH	72,000	96,000	96,000	120,000	96,000	120,000	72,000	96,000	96,000	
Heating Output BTUH	56,000	75,000	75,000	94,000	75,000	94,000	56,000	75,000	75,000	
Capacity-Cooling BTUH	35,500	35,500	46,000	46,000	58,000	58,000	35,500	35,500	46,000	
AFUE	78	78	78	78	78	78	78	78	78	
Efficiency - SEER	10.00	10.00	10.00	10.00	10.00	10.00	10.00	10.00	10.00	
Efficiency - EER	9.00	9.00	10.50	10.50	8.70	8.70	9.00	9.00	10.50	
Electrical Rating - 60 Hz										
Phase	3	3	3	3	3	3	3	3	3	
Operating Voltage Range	187 - 253	187 - 253	187 - 253	187 - 253	187 - 253	187 - 253	414 - 506	414 - 506	414 - 506	
Minimum Circuit Ampacity	18.6	18.6	22.7	22.7	31.1	31.1	7.7	7.7	9.3	
Max. Over-current Protection	25	25	35	35	50	50	15	15	15	
Compressor Data										
Volts	208 / 230	208 / 230	208 / 230	208 / 230	208 / 230	208 / 230	460	460	460	
Rated Load Amps	11.4	11.4	14.0	14.0	20.7	20.7	4.3	4.3	5.7	
Lock Rotor Amps	75	75	91	91	128	128	40	40	42	
Indoor Blower										
Wheel Blower	10x10			11x10			10x10			11x10
Type / No. of Speeds	DD / 3	DD / 3	DD / 4	DD / 4	DD / 4	DD / 4	DD / 3	DD / 3	DD / 2	
Motor - HP / RPM	1/2 - 1100	1/2 - 1100	3/4 - 1100	3/4 - 1100	3/4 - 1100	3/4 - 1100	1/2 - 1080	1/2 - 1080	3/4 - 1075	
Motor - Amps	3.1	3.1	4.0	4.0	4.0	4.0	1.7	1.7	1.6	
Outdoor Fan										
Motor - HP / RPM	1/4 - 1100	1/4 - 1100	1/4 - 1100	1/4 - 1100	1/4 - 1100	1/4 - 1100	1/4 - 1100	1/4 - 1100	1/4 - 1100	
Motor - Amps	1.2	1.2	1.2	1.2	1.2	1.2	0.6	0.6	0.6	
Fan Diameter / CFM	20 / 3500	20 / 3500	20 / 3500	20 / 3500	20 / 3500	20 / 3500	20 / 3500	20 / 3500	20 / 3500	
Refrigerant Charge - oz.	60	60	93	93	88	88	60	60	93	

SPECIFICATIONS AND ELECTRICAL DATA

THREE PHASE – Continued

Model GR4GA-	048D120C	060D096C	060D120C	036N072C	036N096C	048N096C	048N120C	060N096C	060N120C
Performance									
Heating Input BTUH	120,000	96,000	120,000	72,000	96,000	96,000	120,000	96,000	120,000
Heating Output BTUH	94,000	75,000	94,000	56,000	75,000	75,000	94,000	75,000	94,000
Capacity-Cooling BTUH	46,000	58,000	58,000	35,500	35,500	46,000	46,000	58,000	58,000
AFUE	78	78	78	78	78	78	78	78	78
Efficiency - SEER	10.00	10.00	10.00	10.00	10.00	10.00	10.00	10.00	10.00
Efficiency - EER	10.50	8.70	8.70	9.00	9.00	10.50	10.50	8.70	8.70
Electrical Rating - 60 Hz									
Phase	3	3	3	3	3	3	3	3	3
Operating Voltage Range	414 - 506	414 - 506	414 - 506	518 - 633	518 - 633	518 - 633	518 - 633	518 - 633	518 - 633
Minimum Circuit Ampacity	9.3	13.3	13.3	6.5	6.5	7.8	7.8	10.2	10.2
Max. Over-current Protection	15	20	20	15	15	15	15	15	15
Compressor Data									
Volts	460	460	460	575	575	575	575	575	575
Rated Load Amps	5.7	8.9	8.9	4.1	4.1	4.7	4.7	6.6	6.6
Lock Rotor Amps	42	63	63	31	31	39	39	49	49
Indoor Blower									
Wheel Blower	11x10								
Type / No. of Speeds	DD / 2	DD / 2	DD / 2	DD / 3	DD / 3	DD / 2	DD / 2	DD / 2	DD / 2
Motor - HP / RPM	3/4 - 1075	3/4 - 1075	3/4 - 1075	1/2 - 1080	1/2 - 1080	3/4 - 1075	3/4 - 1075	3/4 - 1075	3/4 - 1075
Motor - Amps	1.6	1.6	1.6	1.4	1.4	1.4	1.4	1.4	1.4
Outdoor Fan									
Motor - HP / RPM	1/4 - 1100	1/4 - 1100	1/4 - 1100	1/4 - 1100	1/4 - 1100	1/4 - 1100	1/4 - 1100	1/4 - 1100	1/4 - 1100
Motor - Amps	0.6	0.6	0.6	0.5	0.5	0.5	0.5	0.5	0.5
Fan Diameter / CFM	20 / 3500	20 / 3500	20 / 3500	20 / 3500	20 / 3500	20 / 3500	20 / 3500	20 / 3500	20 / 3500
Refrigerant Charge - oz.	93	88	88	60	60	92	92	87	87

AIRFLOW DATA

Model Number	Heating Input (Btuh)	Heating Output (Btuh)	Heating Rise Range (F)	Cooling Output (Btuh)	Motor Speed	Blower Size	Motor HP	External Static Pressure (Inches Water Column)																							
								0.1		0.2		0.3		0.4		0.5		0.6		0.7		0.8									
								CFM	Rise	CFM	Rise	CFM	Rise	CFM	Rise	CFM	Rise	CFM	Rise	CFM	Rise	CFM	Rise	CFM	Rise						
036(†)072(†)	72,000	56,000	40-70	35,500	High Medium Low**	10 X 10	1/2	1852	-	1775	-	1687	-	1590	-	1482	-	1365	40	1237	44	1100	49								
								1736	-	1650	-	1558	-	1460	-	1357	40	1247	44	1131	48	1010	52								
								1427	-	1361	40	1290	42	1214	45	1134	48	1049	52	959	56	865	62								
036(†)096(†)	96,000	75,000	45-75	35,500	High Medium Low**	10 X 10	1/2	1697	-	1600	-	1503	46	1406	49	1309	53	1212	57	1115	62	1018	68								
								1574	-	1485	47	1396	50	1308	53	1219	57	1130	61	1041	67	952	73								
								1297	53	1225	57	1152	60	1079	64	1006	69	933	74	860	-	788	-								
048C096(†)	96,000	75,000	45-75	46,000	High Med-High Med-Low**	11 X 10	3/4	2393	-	2307	-	2220	-	2134	-	2047	-	1961	-	1874	-	1787	-								
								2171	-	2093	-	2016	-	1938	-	1860	-	1782	-	1704	45	1625	47								
								1811	-	1751	-	1690	45	1626	47	1561	48	1493	50	1423	53	1351	55								
								1485	51	1439	52	1387	54	1328	56	1262	59	1190	62	1111	66	1025	72								
048C120(†)	120,000	94,000	45-75	46,000	High Med-High Med-Low**	11 X 10	3/4	2061	-	1989	-	1917	45	1845	47	1773	49	1701	51	1628	53	1556	56								
								1865	46	1813	48	1752	49	1680	52	1599	54	1507	58	1406	62	1295	67								
								1635	53	1578	55	1522	57	1465	59	1409	62	1352	64	1296	67	1240	70								
								1357	64	1308	66	1258	69	1209	72	1159	75	1110	-	1060	-	1011	-								
060C096(†)	96,000	75,000	45-75	58,000	High Med-High** Med-Low*	11 X 10	3/4	2393	-	2307	-	2220	-	2134	-	2047	-	1961	-	1874	-	1787	-								
								2171	-	2093	-	2016	-	1938	-	1860	-	1782	-	1704	45	1625	47								
								1811	-	1751	-	1690	45	1626	47	1561	48	1493	50	1423	53	1351	55								
								1485	51	1439	52	1387	54	1328	56	1262	59	1190	62	1111	66	1025	72								
060(K,C)120(†)	120,000	94,000	45-75	58,000	High Med-High** Med-Low*	11 X 10	3/4	2061	-	1989	-	1917	45	1845	47	1773	49	1701	51	1628	53	1556	56								
								1865	46	1813	48	1752	49	1680	52	1599	54	1507	58	1406	62	1295	67								
								1635	53	1578	55	1522	57	1465	59	1409	62	1352	64	1296	67	1240	70								
								1357	64	1308	66	1258	69	1209	72	1159	75	1110	-	1060	-	1011	-								
048(N,D)096(†)	96,000	75,000	45-75	46,000	High Low**	11 X 10	3/4	2171	-	2093	-	2016	-	1938	-	1860	-	1782	-	1704	45	1625	47								
								1811	-	1751	-	1690	45	1626	47	1561	48	1493	50	1423	53	1351	55								
048(N,D)120(†)	120,000	94,000	45-75	46,000	High Low**	11 X 10	3/4	1865	46	1813	48	1752	49	1680	52	1599	54	1507	58	1406	62	1295	67								
								1635	53	1578	55	1522	57	1465	59	1409	62	1352	64	1296	67	1240	70								
060(N,D)096(†)	96,000	75,000	45-75	58,000	High Low**	11 X 10	3/4	2171	-	2093	-	2016	-	1938	-	1860	-	1782	-	1704	45	1625	47								
								1811	-	1751	-	1690	45	1626	47	1561	48	1493	50	1423	53	1351	55								
060(N,D)120(†)	120,000	94,000	45-75	58,000	High Low**	11 X 10	3/4	1865	46	1813	48	1752	49	1680	52	1599	54	1507	58	1406	62	1295	67								
								1635	53	1578	55	1522	57	1465	59	1409	62	1352	64	1296	67	1240	70								

* - Factory Set Heating Speed
 ** - Factory Set Cooling Speed
 † - Can be C, X, S, or Z
 ‡ - Can be C, N, or D

GR4GA ACCESSORIES

Description	Part Number
Roof Curb (8")	547830
Roof Curb (14")	547831
Roof Curb (18")	547850
Roof Curb (24")	547851
Cap, Duct Adapter, 12" Round	913811A
Cap, Duct Adapter, 14" Round	913812A
Circuit Breaker, disconnect 3 phase	913740
Concentric diffuser, flush, 16"	547836
Concentric diffuser, flush, 18"	547837
Supply/return transition, 16"	547834
Supply/return transition, 18"	547835
Concentric diffuser, step down 16"	547838
Concentric diffuser, step down 18"	547839
CO2 sensors (special order)	547848
Economizer, downflow 3-position w/filter	547897
Economizer, downflow w/filter (does not require filter kit) modulating	547833
Economizer, horizontal (special order) modulating	547841
Economizer, horizontal 3-position w/filter	547896
Power Exhaust for use with downflow economizer (208/230 3 Phase)	555578
Power Exhaust for use with horizontal economizer (208/230 3 Phase)	555580
Power Exhaust for use with downflow economizer (460V 3 Phase)	555579
Power Exhaust for use with horizontal economizer (460V 3 Phase)	555581
Power Exhaust for use with downflow economizer (575V 3 Phase)	555651
Manual Fresh Air Damper	547832
Motorized Fresh Air Damper	547840
Filter Kit (not required on units produced after July 2006 or with economizer) R4GA 024 -042, R4GC 024, P4SA 036	547886
Filter Kit (not required on units produced after July 2006 or with economizer) P4SA 048, P4SC 036, Q4SA 036	547887
Filter Kit (not required on units produced after July 2006 or with economizer) R4GA 048 - 060, R4GC 030 - 042, P4SA 060, P4SC 048 - 060, Q4SA 048 - 060, Q4SC 036	547888
Filter Kit (not required on units produced after July 2006 or with economizer) R4GC 048 - 060, Q4SC 048 - 060	547889
Filter Rack, All Downflow Applications (not required on units produced after July 2006 or with economizer)	547885
Hood Type Hail Guard, Coil Dim. 30" X 60" P4SA036, R4GA024, 030, 036, 042, R4GC024	547844
Hood Type Hail Guard, Coil Dim. 30" X 76" P4SA048, P4SC036, Q4SA036	547845
Hood Type Hail Guard, Coil Dim. 34" X 76" P4SA060, P4SC048, 060, Q4SA048, 060, Q4SC036, R4GA048, 060, R4GC030, 036, 042	547846
Hood Type Hail Guard, Coil Dim. 38" X 76" Q4SC048, 060, R4GC048, 060	547847
Low Ambient Kit	913549A
High Pressure Switch Kit	913550
Low Pressure Switch Kit	913551
LP Gas Conversion Kit, Canadian (0 to 4,500 ft above sea level)	904091A
LP Gas Conversion Kit, U.S. (0 ft to 10,000 ft above sea level)	904090A
Outdoor Thermostat Kit	913852
Smoke Detector, Duct Mount, Photo Electric Type	547892
Smoke Detector, Multi Signal Control	547893
Smoke Detector, Sampling Tube ST3	547894
Smoke Detector, Sampling Tube ST5	547895



O'Fallon, MO

NORDYNE

584B-0606 (Replaces 584B-0605)

Before purchasing this appliance, read important energy cost and efficiency information available from your retailer. Specifications and illustrations subject to change without notice and without incurring obligations. Printed in U.S.A. (06/06)