
TECHNICAL SPECIFICATIONS

P4SA Series and P4SC Series

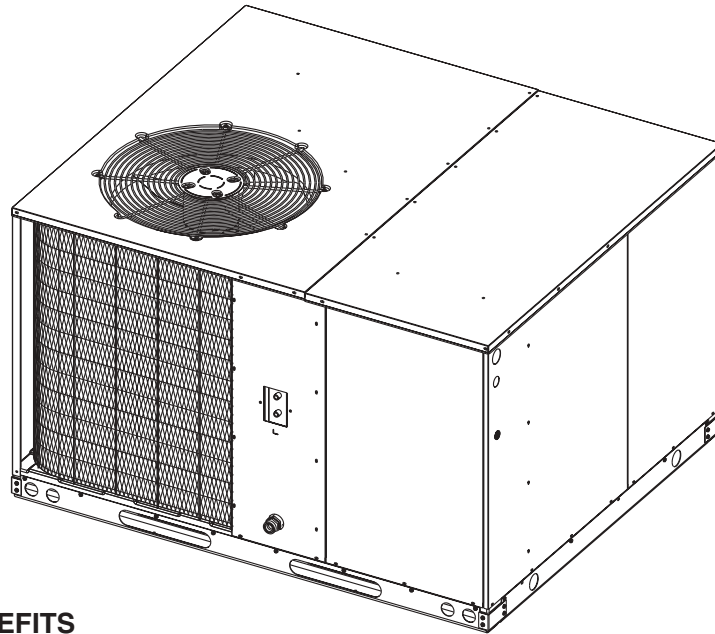
Single Packaged Air Conditioning, Single Phase

3, 4 and 5 Ton Units

P4SA-10 SEER Cooling: 36,000 to 61,000 Btuh

P4SC-12 SEER Cooling: 35,000 to 60,000 Btuh

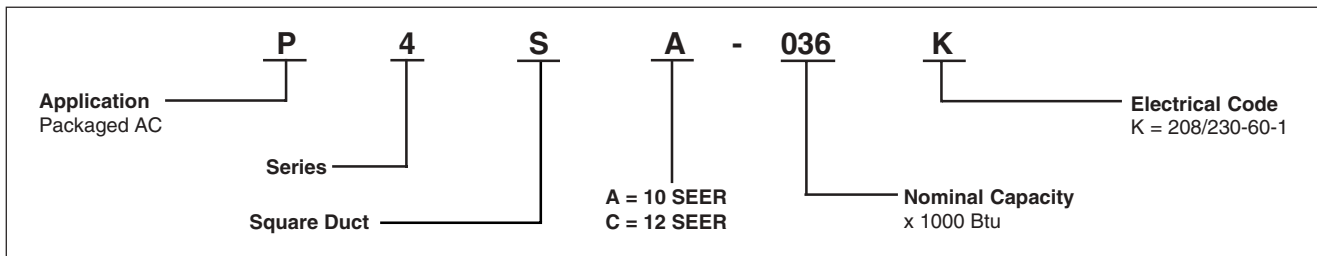
The P4 Series single packaged air conditioners are high efficiency self contained cooling units that can be installed on a roof or on a slab. The convertible unit design makes installations simple in all applications. Units are ETL and ETLc listed. The unit is truly designed with the contractor and the consumer in mind.



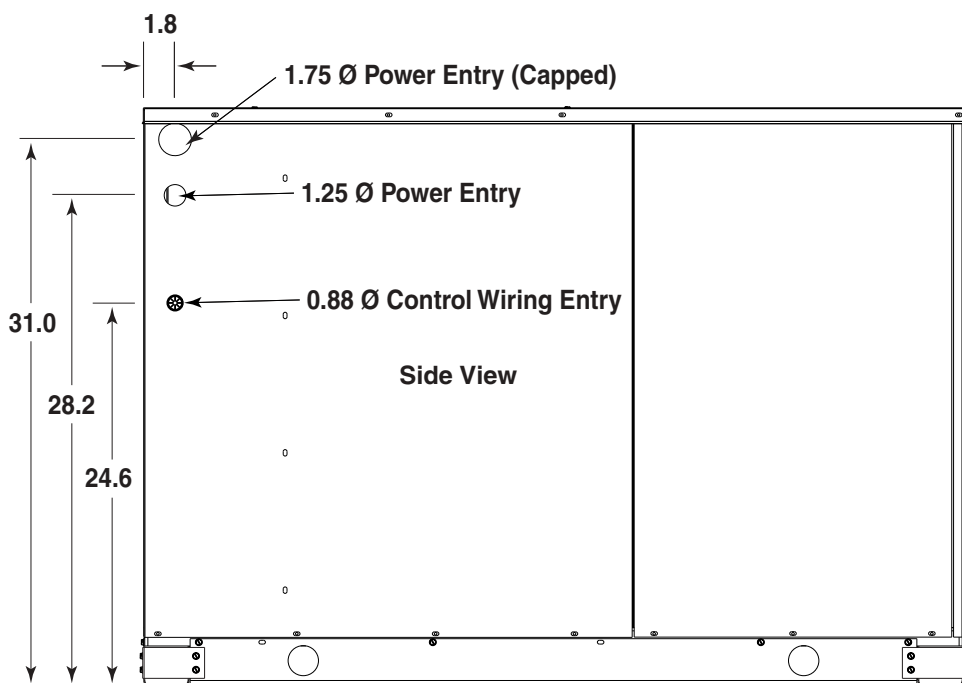
FEATURES AND BENEFITS

- **Compact Footprint/Low Profile**
Easy to handle and transport.
- **Heavy-Gauge, Full Perimeter Base Rails**
Facilitates forklift handling and curb mounting.
- **Convertible Air Delivery**
Horizontal or downflow to accommodate rooftop or horizontal application.
- **Galvanized Steel with Polyurethane Finish**
Provides a minimum of 950 hours salt spray protection.
- **Externally Accessible Service Ports**
Quick access to refrigerant system without disrupting operation.
- **Access to Controls and Major Components**
Easy in and out service.
- **Corrosion-Resistant Drain Pan**
Quickly drains away evaporator condensate.
- **Plastic Coated Coil Guard and Plastic Mesh Hail Guard** - Protects unit coil from damage.
- **Designed to Make Servicing Easier for the Contractor**
Access panels are provided to all major components and the compressor.
- **Easy to Install**
Electric heat strip provides up to 20 KW of heat output.
- **Proven, Industry Standard Components**
Easier service and availability.
- **Quiet Operation**
Low vibration. 20" fan blade combined with custom venturi condenser fan.
- **Accessories**
Roof curbs, economizers, fresh air dampers and more.
- **Parts Warranty**
Has proven to be a major benefit to the consumer.

MODEL IDENTIFICATION CODE

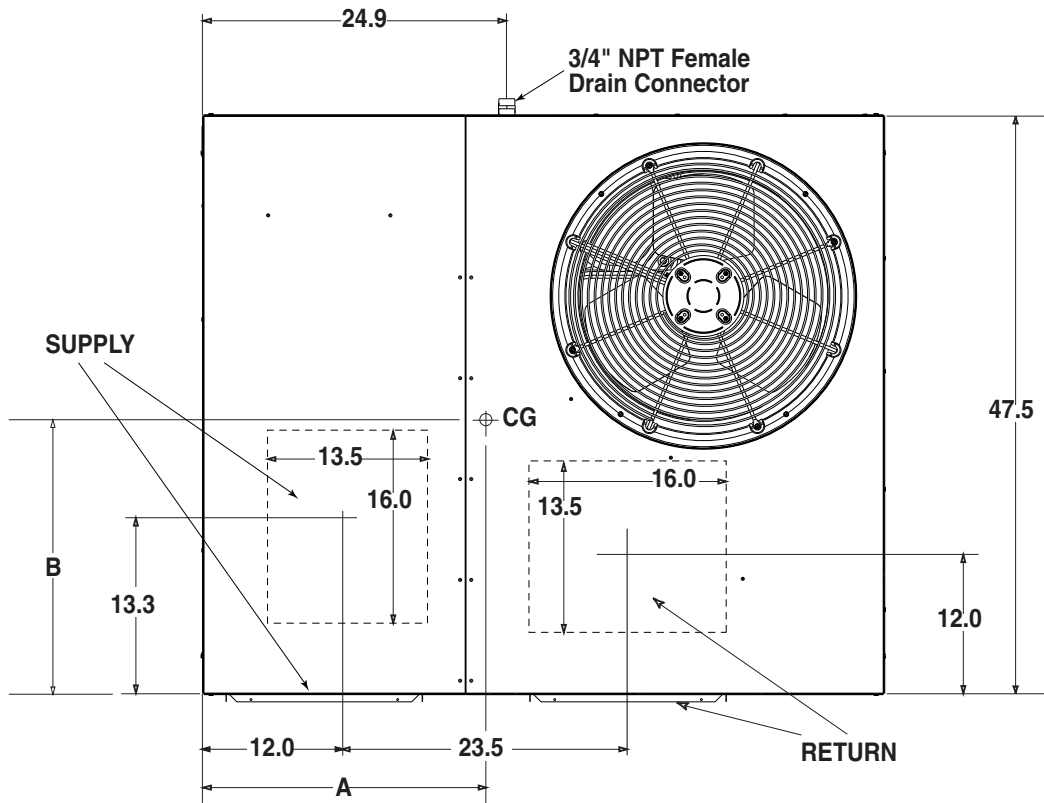


DIMENSIONS

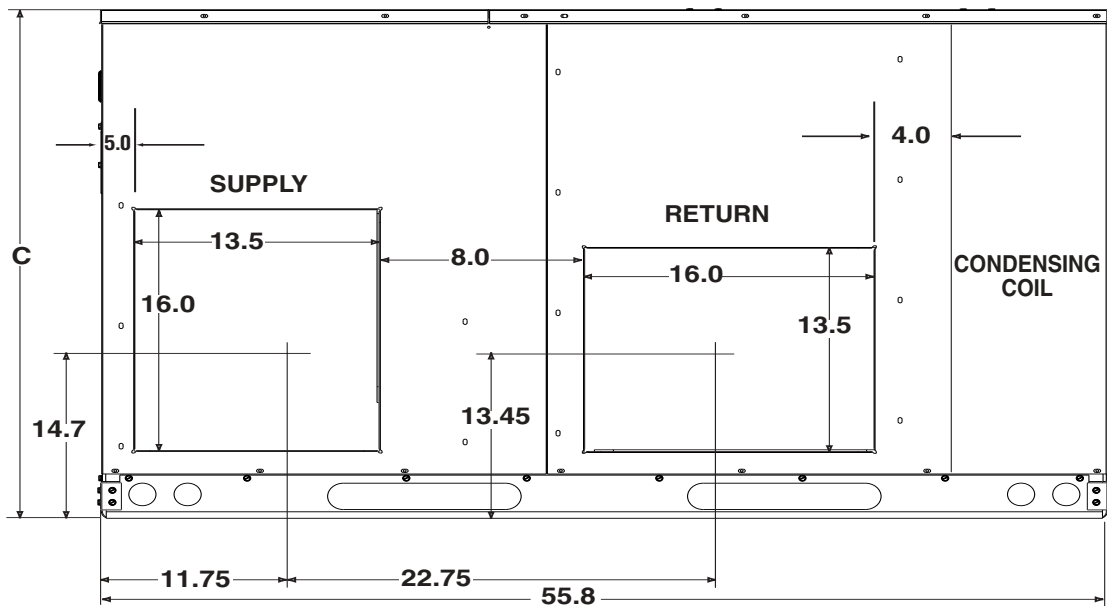


Model No.	Unit Weight	Center of Gravity		Height (in inches)	
		A	B	C	
				with base rails	without base rails
P4SA-036	330	27.5	26.5	33.7	31.3
P4SA-048	345	28.0	26.0	33.7	31.3
P4SA-060	380	28.5	26.5	37.7	35.3
P4SC-036	335	28.0	25.5	33.7	31.3
P4SC-048	405	29.5	26.0	37.7	35.3
P4SC-060	415	29.5	26.5	37.7	35.3

DIMENSIONS (Continued)



Top View



Back (Duct) View

SPECIFICATIONS

Model Number	P4SA-			P4SC-		
	036K	048K	060K	036K	048K	060K
Performance						
Capacity -Cooling BTUH	36,000	47,000	61,000	35,000	47,000	60,000
Efficiency - SEER	10.00	10.00	10.00	12.00	12.00	12.00
EER (Btuh/watt)	9.50	9.40	9.60	11.00	10.90	10.50
Electrical Rating - 60 Hz						
Phase	1	1	1	1	1	1
Operating Voltage Range	187 - 253	187 - 253	187 - 253	187 - 253	187 - 253	187 - 253
Compressor Data						
Volts	208 / 230	208 / 230	208 / 230	208 / 230	208 / 230	208 / 230
Rated Load Amps	14.8	21.8	27	15.7	21.4	32.1
Lock Rotor Amps	96	131	144	93	137	169
Indoor Blower						
Type / No. of Speeds	DD / 3	DD / 3	DD / 3	DD / 3	DD / 3	DD / 3
Motor - HP / RPM	1/4 - 1100	1/2 - 1100	1/2 - 1100	1/4 - 1100	1/2 - 1100	1/2 - 1100
Motor - Amps	1.3	3.1	3.1	1.3	3.1	3.1
Outdoor Fan						
Motor - HP / RPM	1/4 - 825	1/4 - 825	1/4 - 825	1/4 - 825	1/4 - 825	1/3 - 825
Motor - Amps	1.2	1.2	1.2	1.2	1.2	1.2
Fan Diameter / CFM	20/3600	20/3600	20/3600	20/3600	20/3600	20/3600
Refrigerant Charge - Oz.	61	80	104	68	136	160
Shipping Weight	340	355	390	345	415	425

BLOWER PERFORMANCE

Model	Speed	External Static Pressure Drop - inches water column							
		0.1	0.2	0.3	0.4	0.5	0.6	0.7	0.8
P4SA-036	High	1600	1510	1410	1310	1200	1070	930	760
	Medium*	1410	1330	1250	1150	1050	940	820	670
	Low	1130	1070	1000	930	850	760	650	530
P4SA-048	High	2000	1930	1850	1770	1690	1600	1510	1410
	Medium*	1760	1700	1630	1560	1490	1410	1330	1250
	Low	1410	1360	1310	1250	1200	1130	1070	1000
P4SA-060	High	2200	2140	2070	2000	1930	1850	1770	1690
	Medium*	1940	1890	1830	1760	1700	1630	1560	1490
	Low	1560	1510	1460	1410	1360	1310	1250	1200
P4SC-036	High	1600	1510	1410	1310	1200	1070	930	760
	Medium*	1410	1330	1250	1150	1050	940	820	670
	Low	1130	1070	1000	930	850	760	650	530
P4SC-048	High	2170	2100	2040	1960	1890	1810	1730	1650
	Medium*	1910	1860	1800	1730	1670	1600	1530	1450
	Low	1540	1490	1440	1390	1340	1280	1220	1160
P4SC-060	High	2200	2140	2070	2000	1930	1850	1770	1690
	Medium*	1940	1890	1830	1760	1700	1630	1560	1490
	Low	1560	1510	1460	1410	1360	1310	1250	1200

* Factory Set Speed

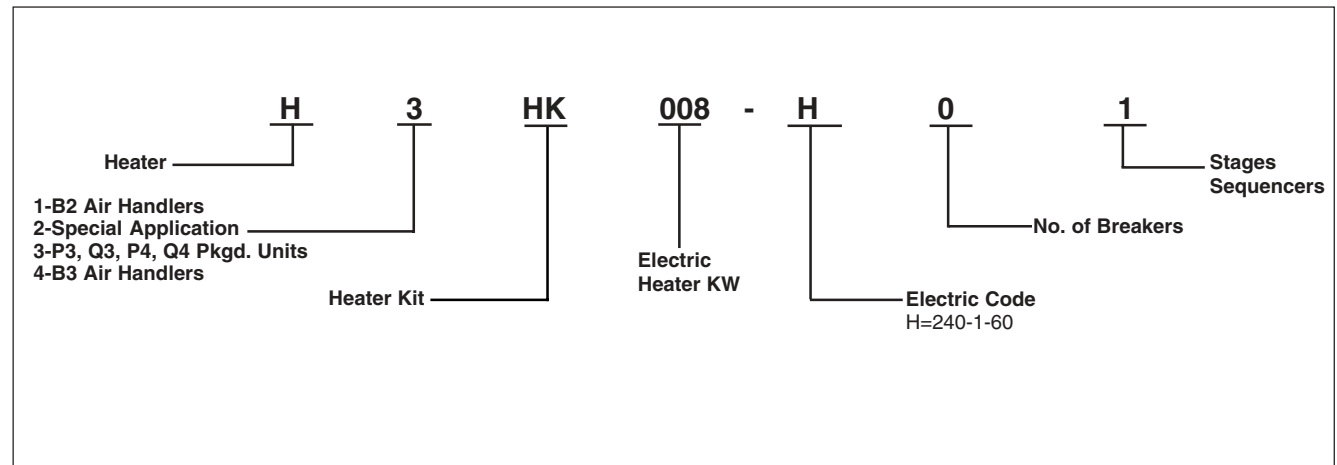
HEATER APPLICATION MATRIX

Model Number	H3HK-005H-01A	H3HK-008H-01A	H3HK-010H-01A	H3HK-015H-01A	H3HK-020H-01A	H3HK-015H-21A	H3HK-020H-21A
	917166A	917167A	917168A	917169A	917170A	917172A	917173A
P4S()-036K	X	X	X(2)	X(2)	NA	X	NA
P4S()-048K	X(2)	X(2)	X(2)	X(3)	X(3)	X(1)	X(1)
P4S()-060K	X(2)	X(2)	X(2)	X(3)	X(3)	X(1)	X(1)

NA = Not Applicable.

() = Number of internal circuit breaker kits required.

MODEL IDENTIFICATION CODE



ELECTRICAL DATA

Model Number	Heater Installed Norm. KW	Single Supply Circuit Option										Multiple Supply Circuit Option															
		Circuit A (Compressor & Fan)					Circuit B (Blower & Heater)					Circuit A (Compressor & Fan)				Circuit B (Blower & Heater)				Circuit C (Heater Only)							
		Minimum Circuit Amp.	Rec Wire (60°C Cu)	Rec Wire (75°C Cu)	Rec Wire (90°C Cu)	Maximum Over-current Rating*	Minimum Circuit Amp.	Rec Wire (60°C Cu)	Rec Wire (75°C Cu)	Rec Wire (90°C Cu)	Maximum Over-current Rating*	Minimum Circuit Amp.	Rec Wire (60°C Cu)	Rec Wire (75°C Cu)	Rec Wire (90°C Cu)	Maximum Over-current Rating*	Minimum Circuit Amp.	Rec Wire (60°C Cu)	Rec Wire (75°C Cu)	Rec Wire (90°C Cu)	Maximum Over-current Rating*	Minimum Circuit Amp.	Rec Wire (60°C Cu)	Rec Wire (75°C Cu)	Rec Wire (90°C Cu)	Maximum Over-current Rating*	
P4SA-038K	0	21.0	10	10	10	35	-	-	-	-	-	-	-	-	-	-	-	-	-	-	-	-	-	-	-	-	-
	5	26.6	10	10	10	35	-	-	-	-	-	-	-	-	-	-	-	-	-	-	-	-	-	-	-	-	-
	8	41.2	6	8	8	45	-	-	-	-	-	-	-	-	-	-	-	-	-	-	-	-	-	-	-	-	-
	10	51.6	6	6	8	60	-	-	-	-	-	-	-	-	-	-	-	-	-	-	-	-	-	-	-	-	-
	15	76.6	3	4	4	80	50.0	6	8	8	60	26.6	10	10	10	30	-	-	-	-	-	-	-	-	-	-	-
P4SA-048K	0	31.6	8	8	8	50	-	-	-	-	-	-	-	-	-	-	-	-	-	-	-	-	-	-	-	-	-
	5	31.6	8	8	8	50	-	-	-	-	-	-	-	-	-	-	-	-	-	-	-	-	-	-	-	-	-
	8	43.5	6	8	8	50	-	-	-	-	-	-	-	-	-	-	-	-	-	-	-	-	-	-	-	-	-
	10	53.9	6	6	8	60	50.0	6	8	8	50	28.6	10	10	10	30	-	-	-	-	-	-	-	-	-	-	-
	15	78.9	3	4	4	110	50.0	6	8	8	50	53.9	6	6	8	60	-	-	-	-	-	-	-	-	-	-	-
P4SA-060K	0	38.4	8	8	8	60	-	-	-	-	-	-	-	-	-	-	-	-	-	-	-	-	-	-	-	-	-
	5	38.4	8	8	8	60	-	-	-	-	-	-	-	-	-	-	-	-	-	-	-	-	-	-	-	-	-
	8	43.5	6	8	8	60	-	-	-	-	-	-	-	-	-	-	-	-	-	-	-	-	-	-	-	-	-
	10	53.9	6	6	8	60	50	6	8	8	60	28.6	10	10	10	30	-	-	-	-	-	-	-	-	-	-	-
	15	78.9	3	4	4	80	50	6	8	8	60	53.9	6	6	8	60	-	-	-	-	-	-	-	-	-	-	-
P4SC-036K	0	22.5	10	10	10	35	-	-	-	-	-	-	-	-	-	-	-	-	-	-	-	-	-	-	-	-	-
	5	26.6	10	10	10	35	-	-	-	-	-	-	-	-	-	-	-	-	-	-	-	-	-	-	-	-	-
	8	41.2	6	8	8	45	-	-	-	-	-	-	-	-	-	-	-	-	-	-	-	-	-	-	-	-	-
	10	51.6	6	6	8	60	-	-	-	-	-	-	-	-	-	-	-	-	-	-	-	-	-	-	-	-	-
	15	76.6	3	4	4	80	50.0	6	8	8	60	26.6	10	10	10	30	-	-	-	-	-	-	-	-	-	-	-
P4SC-048K	0	31.1	8	8	8	50	-	-	-	-	-	-	-	-	-	-	-	-	-	-	-	-	-	-	-	-	-
	5	31.1	8	8	8	50	-	-	-	-	-	-	-	-	-	-	-	-	-	-	-	-	-	-	-	-	-
	8	43.5	6	8	8	50	-	-	-	-	-	-	-	-	-	-	-	-	-	-	-	-	-	-	-	-	-
	10	53.9	6	6	8	60	50	6	8	8	60	28.9	10	10	10	30	-	-	-	-	-	-	-	-	-	-	-
	15	78.9	3	4	4	80	50	6	8	8	60	53.9	6	6	8	60	-	-	-	-	-	-	-	-	-	-	-
P4SC-060K	0	40.6	6	8	8	60	-	-	-	-	-	-	-	-	-	-	-	-	-	-	-	-	-	-	-	-	-
	5	40.6	6	8	8	60	-	-	-	-	-	-	-	-	-	-	-	-	-	-	-	-	-	-	-	-	-
	8	43.5	6	8	8	60	-	-	-	-	-	-	-	-	-	-	-	-	-	-	-	-	-	-	-	-	-
	10	53.9	6	6	8	60	50	6	8	8	60	28.6	10	10	10	30	-	-	-	-	-	-	-	-	-	-	-
	15	78.9	3	4	4	80	50	6	8	8	60	53.9	6	6	8	60	-	-	-	-	-	-	-	-	-	-	-
20	103.9	1	2	3	110	37.5	8	8	8	60	53.9	6	6	8	60	50	6	6	8	8	60	50	6	6	8	8	

*When overcurrent rating exceeds 60, internal circuit breakers must be installed in addition to branch circuit protection at distribution panel.

ACCESSORIES

Description	Part Number
Roof Curb (8")	547830
Roof Curb (14")	547831
Roof Curb (18")	547850
Roof Curb (24")	547851
Supply/return transition, 16"	547834
Supply/return transition, 18"	547835
Concentric diffuser, flush, 16"	547836
Concentric diffuser, flush, 18"	547837
Concentric diffuser, step down 16"	547838
Concentric diffuser, step down 18"	547839
Circuit Breaker, disconnect 3 phase	913740
Manual Fresh Air Damper	547832
Motorized Fresh Air Damper	547840
Economizer, downflow w/filter (does not require filter kit) modulating	547833
Economizer, horizontal modulating	547841
Economizer, horizontal 3-position w/filter	547896
Economizer, downflow 3-position w/filter	547897
Power Exhaust, downflow economizer (special order)	547842
Power Exhaust horizontal economizer (special order)	547843
HOOD TYPE HAIL GUARD 30" X 60" P4SA036, R4GA024, 030, 036, 042, R4GC024	547844
HOOD TYPE HAIL GUARD 30" X 76" P4SA048, P4SC036, Q4SA036	547845
HOOD TYPE HAIL GUARD 34" X 76" P4SA060, P4SC048, 060, Q4SA048, 060, Q4SC036, R4GA048, 060, R4GC030, 036, 042	547846
HOOD TYPE HAIL GUARD 38" X 76" Q4SC048, 060, R4GC048, 060	547847
CO2 sensors (special order)	547848
DUCT SMOKE DETECTOR PHOTO ELEC	547892
MULTI SIGNAL CONTROL	547893
SAMPLING TUBE ST3	547894
SAMPLING TUBE ST5	547895
Filter Rack, All Downflow Applications (not required with economizer)	547885
Filter Kit (not required with economizer) R4GA 024 -042, R4GC 024, P4SA 036	547886
Filter Kit (not required with economizer) P4SA 048, P4SC 036, Q4SA 036	547887
Filter Kit (not required with economizer) R4GA 048 - 060, R4GC 030 - 042, P4SA 060, P4SC 048 - 060, Q4SA 048 - 060, Q4SC 036	547888
Filter Kit (not required with economizer) R4GC 048 - 060, Q4SC 048 - 060	547889
Universal Hard Start Kit	912933
Low Pressure Switch Kit	913551
High Pressure Switch Kit	913550
Low Ambient Kit	913549A
P-Trap Kit	913810
U.S. LP Gas Conversion Kit (0 ft to 10,000 ft above sea level)	903616
Canadian LP Gas Conversion Kit (0 to 4,500 ft above sea level)	903617
Outdoor Thermostat Kit	913852



CERTIFICATION APPLIES
ONLY WHEN THE
COMPLETE SYSTEM
IS LISTED WITH AHRI

We Encourage
Professionalism



Through Technician
Certification by NATE



NAHB