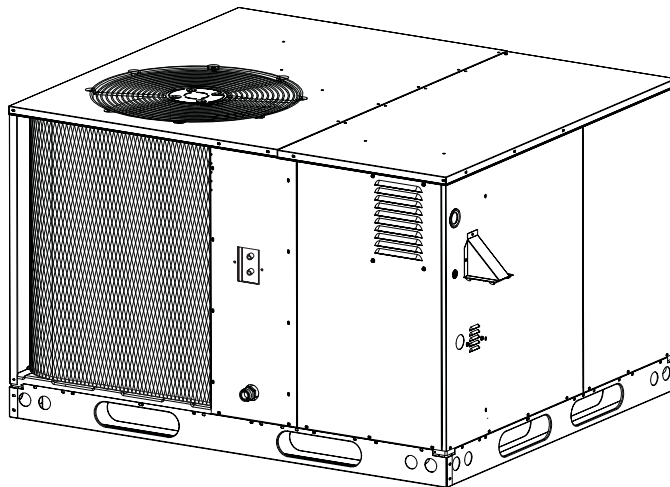


GR4GM Series

Single Packaged Gas/Electric Units

GR4GM 9 EER 3 Phase 6 Ton Units

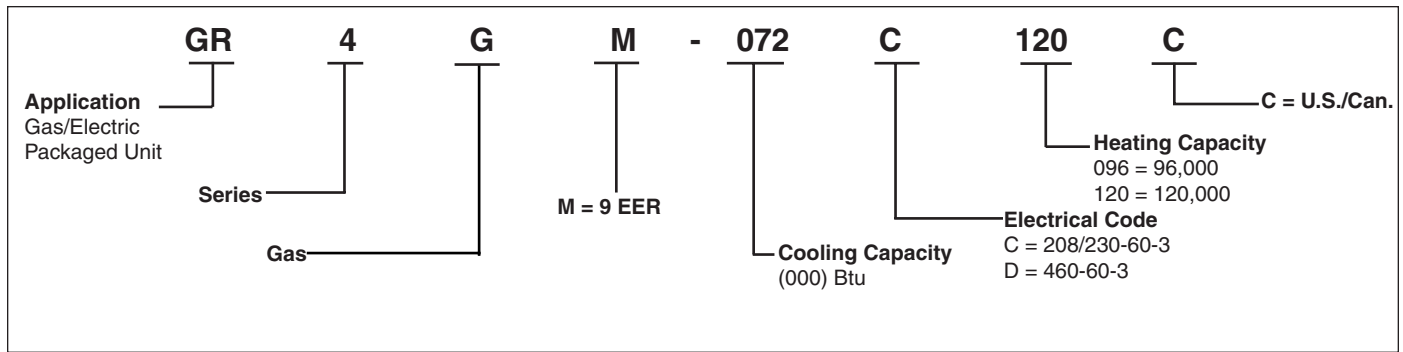
The R4GM Series single packaged gas/electrics are high efficiency self contained cooling units that can be installed on the roof or on a slab. The convertible unit design makes installations simple in all applications. Units are ETL and ETLc listed. The unit is truly designed with the contractor and the consumer in mind.



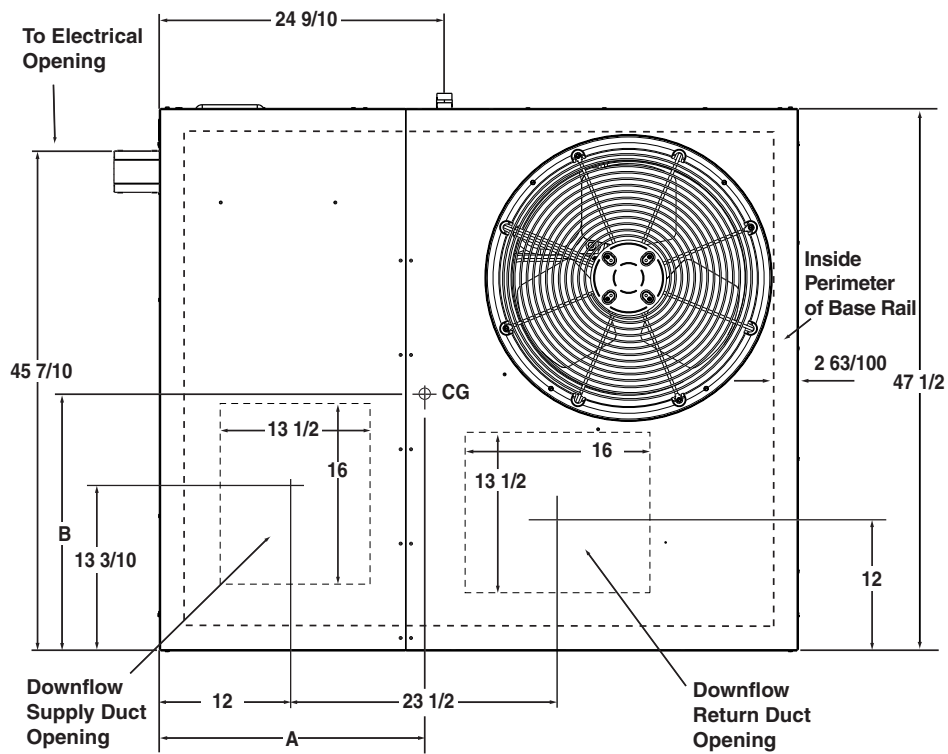
FEATURES AND BENEFITS

- **Compact Footprint/Low Profile**
Easy to handle and transport.
- **Heavy-Gauge, Full Perimeter Base Rails**
Facilitates forklift handling and curb mounting.
- **Convertible Air Delivery**
Horizontal or downflow to accommodate rooftop or horizontal application.
- **Galvanized Steel Cabinet**
with polyurethane finish provides 950 hour salt spray protection to resist corrosion.
- **Plastic Coated Coil Guard and Mesh Hail Guard**
Will never rust and protect the coil from being damaged by balls, lawnmowers, hail etc.
- **Externally Accessible Service Ports**
Quick access to refrigerant system without disrupting operation.
- **Access to Controls and Major Components**
Easy in and out service.
- **Corrosion-Resistant Drain Pan**
Quickly drains away evaporator condensate.
- **Smaller Panels, Great Fit and Finish, Total Seal**
Well-designed, quality construction. Drip edge on top panels whisks away rainwater. Embossed bottom pan keeps blower component compartment dry.
- **Proven, Industry Standard Components**
Hi and Low pressure switches ensure long compressor life.
- **Accessories**
Roof curbs, economizers, fresh air dampers and more.
- **Quiet Operation**
Low vibration.
24" fan blade combined with custom venturi condenser fan.
- **Factory Installed Filter Rack**
- **One Year Commercial Parts Warranty**

MODEL IDENTIFICATION CODE



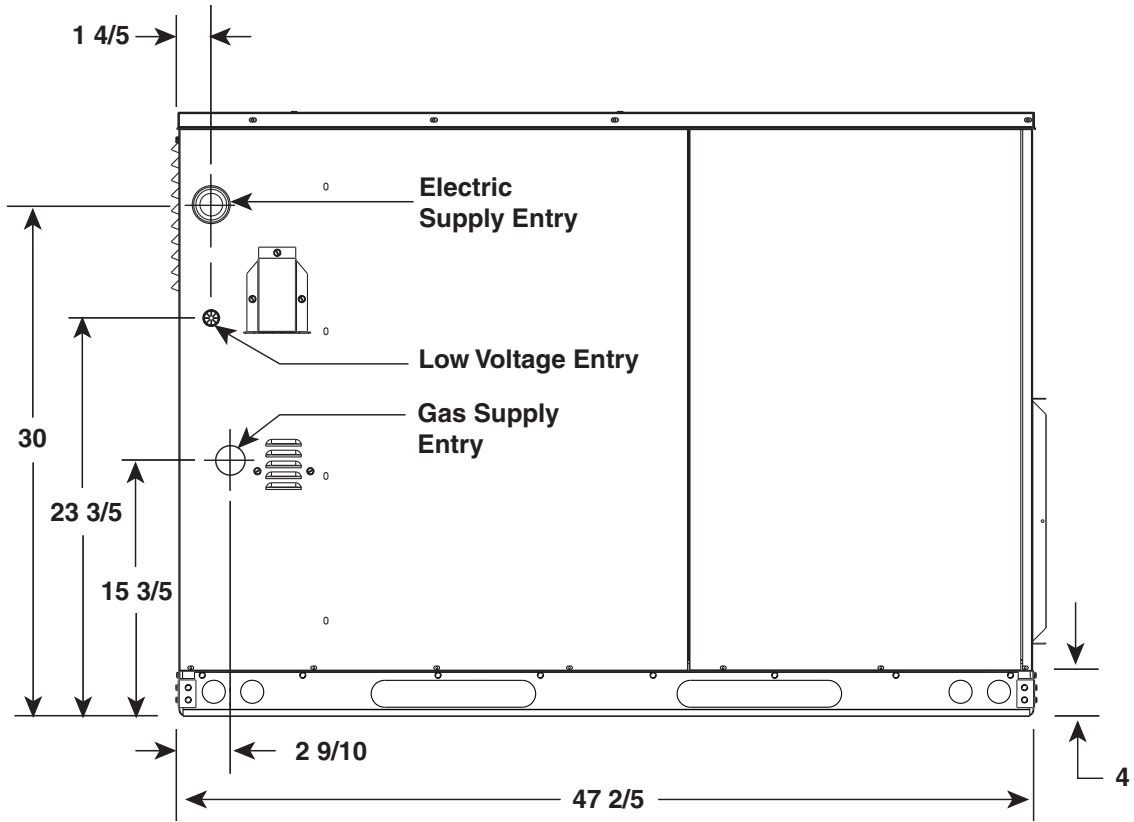
DIMENSIONS



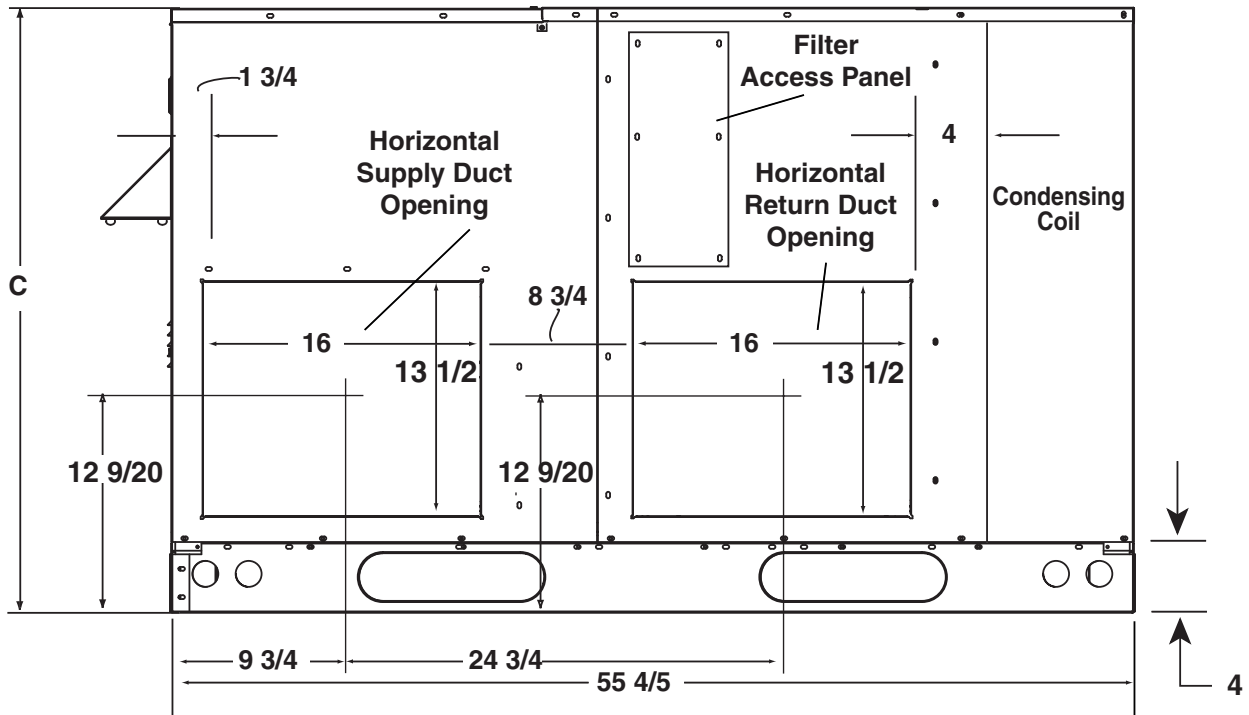
Top View

Model No. GR4GM-	Unit Weight	Shipping Weights	Center of Gravity		Height (in inches) C	
			A	B	with base rails	without base rails
072(*)096C	574	582	27 1/2	27	43	39 3/10
072(*)120C	586	594	27	27	43	39 3/10

DIMENSIONS (Continued)



Side View



Back View

SPECIFICATIONS AND ELECTRICAL DATA

THREE PHASE

Model GR4GM-	072C096C	072D096C	072C120C	072D120C
Performance				
Heating Input - BTUH	96,000	96,000	120,000	120,000
Heating Output - BTUH	75,000	75,000	94,000	94,000
Cooling Capacity - BTUH	71,000	71,000	71,000	71,000
AFUE - %	78.00	78.00	78.00	78.00
Efficiency - EER	9.00	9.00	9.00	9.00
Electrical Rating				
Phase	3	3	3	3
Operating Voltage Range	187 - 253	414 - 506	187 - 253	414 - 506
Minimum Circuit Ampacity	34.60	17.40	34.60	17.40
Max. Over-current Protection	50	25	50	25
Compressor Data				
Volts	208 - 230	460	208 - 230	460
Rated Load Amps	20.70	10.00	20.70	10.00
Lock Rotor Amps	156	75	156	75
Indoor Blower				
Wheel Diameter	11 x 10	11 x 10	11 x 10	11 x 10
Type / No. of Speeds	DD - 3	DD - 3	DD - 3	DD - 3
Motor - HP / RPM	¾ - 1100	¾ - 1100	¾ - 1100	¾ - 1100
Motor - Amps	5.0	3.0	5.0	3.0
Outdoor Fan				
Motor - HP / RPM	¾ - 1060	¾ - 1060	¾ - 1060	¾ - 1060
Motor - Amps	3.7	1.9	3.7	1.9
Fan Diameter - CFM	24" - 5000	24" - 5000	24" - 5000	24" - 5000
Refrigerant Charge (R-22) - oz..	270	270	270	270

AIRFLOW DATA

Model Number	Heating Input (Btuh)	Heating Output (Btuh)	Heating Rise Range (F)	Cooling Output (Btuh)	Motor Speed	Blower Size	Motor HP	External Static Pressure (Inches Water Column)																	
								0.1		0.2		0.3		0.4		0.5		0.6		0.7		0.8			
								CFM	Rise	CFM	Rise	CFM	Rise	CFM	Rise	CFM	Rise	CFM	Rise	CFM	Rise	CFM	Rise	CFM	Rise
GR4GM-072(*)096C	96,000	75,000	45 - 75	71,000	High	11 x 10	3/4	2115	-	2071	-	2032	-	1957	-	1877	-	1797	-	1718	-	1650	-		
					Med			1917	-	1862	-	1762	-	1705	-	1639	-	1555	45	1445	48				
					Low **			1568	-	1549	45	1476	47	1446	48	1412	49	1310	53	1204	58				
072(*)120C	120,000	94,000	45 - 75	71,000	High	11 x 10	3/4	2075	-	2031	-	1992	-	1917	45	1837	47	1757	50	1678	52	1610	54		
					Med			1887	46	1832	48	1732	50	1675	52	1609	54	1531	57	1415	62				
					Low **			1558	56	1529	57	1493	58	1456	60	1426	61	1392	63	1290	67	1184	74		

Notes:

* Can be C or D

** Factory Set Heating Speed

*** Factory Set Cooling Speed

Values include losses for unit casing and dry evaporator coil

GR4GM-072(*) ACCESSORIES

Description		Part Number
Roof Curb (8")		547830
Roof Curb (14")		547831
Roof Curb (18")		547850
Roof Curb (24")		547851
Cap, Duct Adapter, 14" Round		913812A
Concentric diffuser, flush, 18"		547837
Supply/return transition, 18"		547835
Concentric diffuser, step down 18"		547839
CO2 sensors (special order)		547848
Economizer, downflow w/filter (does not require filter kit) modulating		547833
Economizer, horizontal (special order) modulating		547841
Power Exhaust for use with downflow economizer (special order)	208-230/3/60	555578
	460/3/60	555579
Power Exhaust for use with horizontal economizer (special order)	208-230/3/60	555580
	460/3/60	555581
Manual Fresh Air Damper		547832
Motorized Fresh Air Damper		547840
Filter Kit (not required with economizer or units built after July 2006) R4GC 048 - 060, Q4SC 048 - 060, R4GM - 072		547889
Filter Rack, All downflow Applications (not required with economizer or units built after July 2006)		547885
Low Ambient Kit		913549A
LP Gas Conversion Kit, Canadian (0 to 4,500 ft. above sea level)		903617
LP Gas conversion Kit, U.S. (0 ft. to 10,000 ft. above sea level)		903616
Smoke Detector, Duct Mount, Photo Electric Type		547892
Smoke Detector, Multi Signal Control		547893
Smoke Detector, Sampling Tube ST3		547894
Smoke Detector, Sampling Tube ST5		547895

R4GN-072

O.D.T			85°F			95°F			105°F			115°F		
CFM	E.D.B.	E.W.B.	T.C.	S.C.	K.W.	T.C.	S.C.	K.W.	T.C.	S.C.	K.W.	T.C.	S.C.	K.W.
2000	80	62	68.6	58.6	7.27	65.9	58.0	7.84	63.0	57.8	8.49	59.9	56.1	9.25
	80	67	73.9	49.0	7.38	71.2	47.8	7.95	68.1	46.5	8.60	64.7	45.2	9.33
	80	72	80.2	39.1	7.52	77.0	38.0	8.08	73.6	36.8	8.73	70.0	35.6	9.47
	75	63	68.2	46.2	7.28	65.6	46.6	7.85	62.6	46.4	8.49	59.5	45.7	9.25
2150	80	62	69.6	61.0	7.29	66.9	61.0	7.86	64.0	60.1	8.50	60.9	59.0	9.26
	80	67	75.0	50.8	7.40	71.0	49.6	7.89	68.9	48.3	8.62	65.5	46.9	9.35
	80	72	80.9	40.3	7.54	77.7	39.2	8.10	74.3	38.0	8.75	70.7	36.7	9.48
	75	63	69.2	49.9	7.30	66.4	49.7	7.86	63.4	49.1	8.51	60.2	48.2	9.26
2300	80	62	70.6	64.0	7.31	67.8	63.3	7.88	64.9	62.9	8.53	61.8	60.9	9.28
	80	67	75.8	52.6	7.42	72.8	51.4	7.99	69.6	50.1	8.64	66.1	48.7	9.37
	80	72	81.6	41.4	7.55	78.5	40.3	8.12	75.1	39.1	8.77	71.4	37.8	9.51
	75	63	70.0	53.8	7.31	67.2	53.1	7.88	64.1	52.0	8.53	60.9	50.7	9.27

We Encourage
Professionalism
Through Technician
Certification by NATE



O'Fallon, MO

NORDYNE

435B-0108 (Replaces 435B-0606)

Before purchasing this appliance, read important energy cost and efficiency information available from your retailer. Specifications and illustrations subject to change without notice and without incurring obligations. Printed in U.S.A. (01/08)