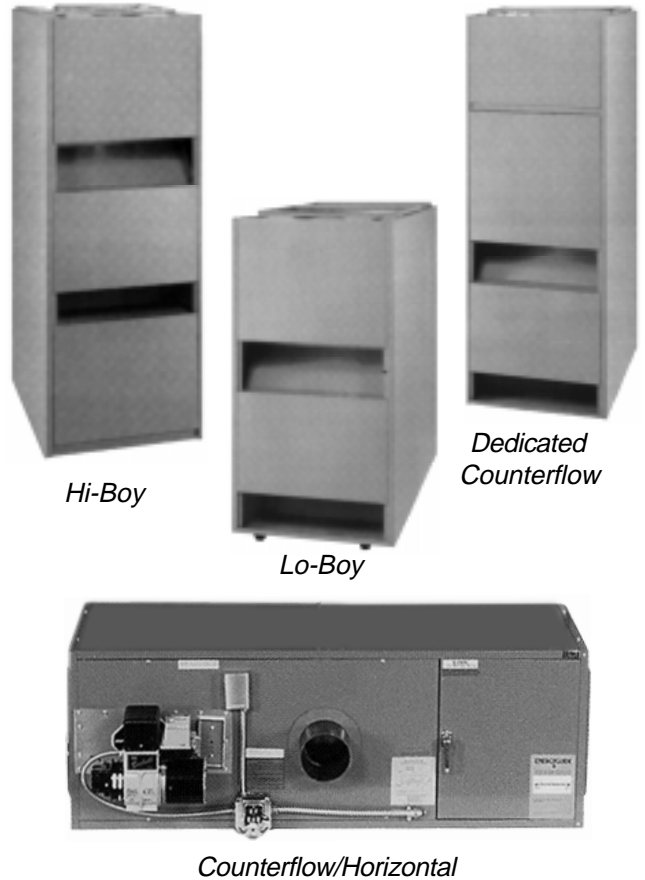

TECHNICAL SPECIFICATIONS

O3 Series Oil Furnaces

Models

O3LD-112A Rear	O3LD-112A Front
O3LD-148A-16 R	O3LD-148A-16 F
O3HD-112A-16	O3MD-096A-16
O3CD-096A-16	

The O3 Series Oil Furnace from Nordyne combines time proven design in the Classic Low Boy, High Boy, Horizontal/Counterflow and Dedicated Counterflow configurations. The units are multi-fired for a wide range of outputs (.60 to 1.25 G.P.H. depending on model). Classic design, versatility and reliability are important attributes that oil heat professionals have come to rely upon. In addition, the O3 Series Oil Furnace is backed by the best warranty in the business — 6 years on parts and limited lifetime on the Heat Exchanger. Thanks for choosing the O3 Series.



FEATURES and BENEFITS

- **Warranty** – The best warranty in the business! **6 years on parts and a limited lifetime heat exchanger warranty.**
- **Cabinet Construction** – 20 gauge steel. Seal-Tite design, completely assembled at factory with leveling legs.
- **Finish** – Electrostatic powder coat for greater durability.
- **Firing Rates** – Multi-firing rates for a wide range of applications.
- **Burner** – Factory pre-wired, pre-assembled and tested. Constant ignition, pressure atomizing type. Shipped assembled in furnace. Ready to connect to fuel supply line.
- **Controls** – Constant ignition primary control, combination blower and limit control.
- **Heat Exchanger** – 14 gauge, hot rolled alloy steel. Large, accessible heat exchanger clean-out ports.
- **Radiator** – “Wrap-around” type for maximum heat transfer.
- **Blower** – Squirrel cage type. Permanently lubricated, resilient mounted.
- **Blower Motor** – Designed for heavy-duty, continuous operation. Thermally protected. Three-speed direct drive is standard.
- **Blower Assembly** – Entire unit with motor can be easily removed for servicing.
- **Filters** – Extra large filtration area.
- **Insulation** – Spun glass and aluminum foil for “hand cool” cabinet.
- **Access Door** – Easily removed for access to burner and controls. Completely enclosed controls and burner.
- **A.F.U.E.** Ratings up to 84%.
- **Flue** – Low Boy models are available front or rear flue as a no cost option.
- **Air Conditioning** – Pre-wired fan center relay is standard on all direct drive models.

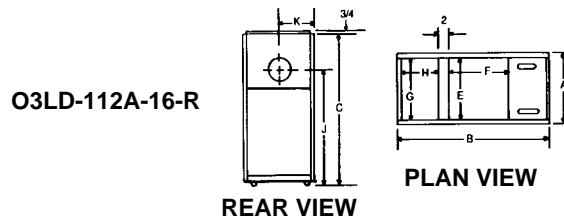
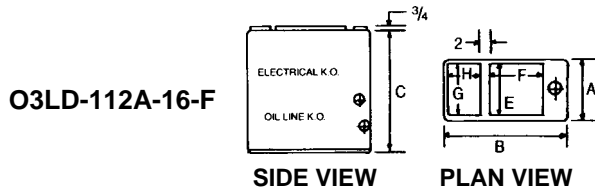
Lo-Boy Front & Rear Flue Outlet

O3LD-112A R
O3LD-112A F

High Output Models
O3LD-148A-16 R
O3LD-148A-16 F

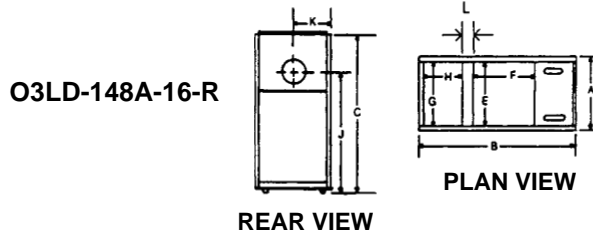
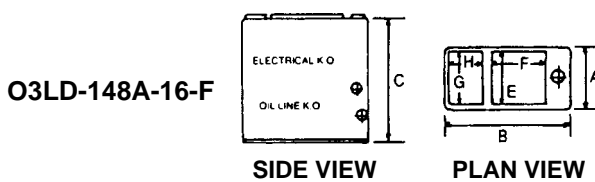
DIMENSIONS:

Model No.	Casing Size			W.A. Plenum		R.A. Plenum		Dia. of Flue Pipe	Location of Flue Pipe	
	Width A	Depth B	Height C	Width E	Depth F	Width G	Depth H		J	K
O3LD-112A-16-F	22	46	42-1/8	20	20	20	12-1/2	6	—	—
O3LD-112A-16-R	22	46	42-1/8	20	20	20	12-1/2	6	31	11



High Output

Model No.	Furnace Casing			Warm Air Supply		Return Air		Dia. of Flue Pipe	Location of Flue Pipe		
	Width A	Depth B	Height C	Width E	Depth F	Width G	Depth H		J	K	L
O3LD-148A-16-R	25-1/4	52-1/2	46	23	21-1/2	23	13-1/2	6	38-1/2	12-1/2	4
O3LD-148A-16-F	25-1/4	52-1/2	46	23	21-1/2	23	13-1/2	6	—	—	4



SYSTEM SPECIFICATIONS:

Model No.	BTU Input	Heating Capacity BTU/HR	AFUE	AFUE w/vent Damper	Blower Performance CFM @ 0.5 w.c. D. Drive	Nozzle G.P.H. (Oil)	Angle of Spray (Oil)	No. & Size of Filters	Ship Wt.
O3LD-112A-16-F*	85,000	68,000	82.0	84.0	950 - 1,300 - 1,600	0.60	.60x80°A	(1) 20x20	315
	105,000	84,000	81.0	82.0	950 - 1,300 - 1,600	0.75	.75x80°A	(1) 20x20	315
	120,000	96,000	80.0	81.5	950 - 1,300 - 1,600	0.85	.85x80°A	(1) 20x20	315
	140,000	112,000	80.0	81.0	950 - 1,300 - 1,600	1.00	1.00x80°A	(1) 20x20	315
O3LD-112A-16-R*	85,000	68,000	82.0	84.0	950 - 1,300 - 1,600	0.60	.60x80°A	(2) 10x20	315
	105,000	84,000	81.0	82.0	950 - 1,300 - 1,600	0.75	.75x80°A	(2) 10x20	315
	120,000	96,000	80.0	81.5	950 - 1,300 - 1,600	0.85	.85x80°A	(2) 10x20	315
	140,000	112,000	80.0	81.0	950 - 1,300 - 1,600	1.00	1.00x80°A	(2) 10x20	315

High Output

Model No.	Input BTU/H	Output BTU/H	AFUE	Blower Size	Blower Motor H.P.	Blower Performance CFM @ 0.5 w.c. D. Drive	Nominal Cooling Cap. Tons	Nozzle G.P.H. (Oil)	Angle of Spray (Oil)	No. & Size of Filters	Ship Wt.
O3LD-148A-16-R	140,000	120,000	85.0	120-12T	3/4	1,400 - 1,600 - 2,000	4 - 5	1.00	80°B	(2) 16 x 20	410
	175,000	148,500	84.2	120-12T	3/4	1,400 - 1,600 - 2,000	4 - 5	1.25	80°B	(2) 16 x 20	410
O3LD-148A-16-F	140,000	120,000	85.0	120-12T	3/4	1,400 - 1,600 - 2,000	4 - 5	1.00	80°B	(2) 16 x 20	410
	175,000	148,500	84.2	120-12T	3/4	1,400 - 1,600 - 2,000	4 - 5	1.25	80°B	(2) 16 x 20	410

*Factory set for 105,000 BTU/HR input (.75 gph).

Three-Speed Direct Drive Blower Standard

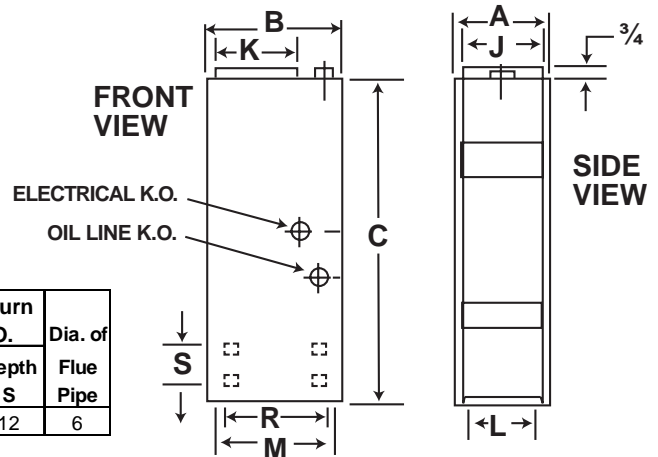
Beckett Burner Standard

Caution - All oil furnaces require proper set-up and installation by a certified oil heat technician.

Hi-Boy O3HD-112A-16

DIMENSIONS:

Model No.	Casing Size			W.A. Plenum (Top)		R.A. Plenum (Bottom)		Side Return Air K.O.		Dia. of Flue Pipe
	Width	Depth	Height	Width	Depth	Width	Depth	Width	Depth	
	A	B	C	J	K	L	M	R	S	
O3HD-112A-16*	22	31	58	20	20	14	23	20	12	6



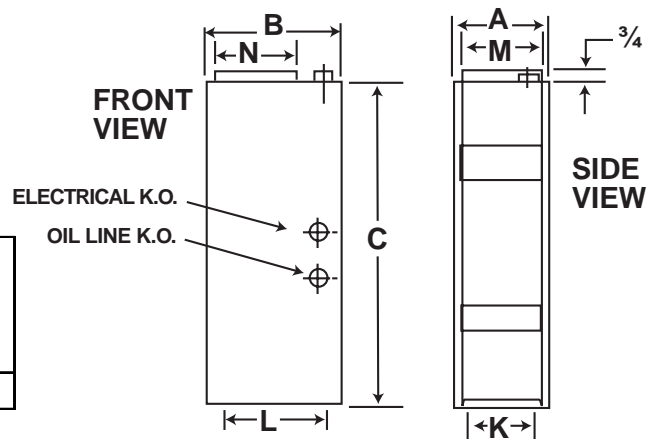
SYSTEM SPECIFICATIONS:

Model No.	BTU Input	Heating Capacity BTU/HR	AFUE	AFUE w/vent Damper	Blower Performance CFM @ 0.5 w.c. D. Drive	Nozzle G.P.H. (Oil)	Angle of Spray (Oil)	No. & Size of Filters	Ship Wt.
O3HD-112A-16*	85,000	68,000	82.0	84.0	950 - 1,300 - 1,600	0.60	.60x80°A	(1) 16x25	290
	105,000	84,000	81.0	82.0	950 - 1,300 - 1,600	0.75	.75x80°B	(1) 16x25	290
	120,000	96,000	80.0	81.5	950 - 1,300 - 1,600	0.85	.85x80°B	(1) 16x25	290
	140,000	112,000	80.0	81.0	950 - 1,300 - 1,600	1.00	1.00x80°B	(1) 16x25	290

Dedicated Counterflow O3CD-096A-16

DIMENSIONS:

Model No.	Casing Size			W.A. Plenum (bottom)		R.A. Plenum (top)		Dia. of Flue Pipe
	Width	Depth	Height	Width	Depth	Width	Depth	
	A	B	C	K	L	M	N	
O3CD-096A-16	22	31	60.0	17.00	19.25	20	20	6



SYSTEM SPECIFICATIONS:

Model No.	BTU Input	Heating Capacity BTU/HR	AFUE	AFUE w/vent Damper	Blower Performance CMF @ 0.5 w.c. D Drive	Nozzle G.P.H. (Oil)	Angle of Spray (Oil)	No. & Size of Filters	Ship Wt.
O3CD-096A-16	85000	68000	82.0	84.0	950 - 1,300 - 1,600	0.60	.60 x 80° A	(2) 10 x 20	300
	105000	84000	81.0	82.0	950 - 1,300 - 1,600	0.75	.75 x 80° A	(2) 10 x 20	300
	120000	96000	80.0	81.5	950 - 1,300 - 1,600	0.85	.85 x 80° A	(2) 10 x 20	300

*Factory set for 105,000 BTU/HR input (.75 gph).
Three-Speed Direct Drive Blower Standard
Beckett Burner Standard

Caution - All oil furnaces require proper set-up and installation by a certified oil heat technician.

Horizontal/Counterflow

O3MD-096A-16

DIMENSIONS:

Model No.	Cabinet Size			W.A. Plenum (Top)		R.A. Plenum (Bottom)		Dia. of Flue Pipe
	Width	Depth	Height	Width	Depth	Width	Depth	
O3MD-096A-16*	22-1/4	22-1/4	61-1/4	16-1/4	16-1/4	16-1/4	16-1/4	6

SYSTEM SPECIFICATIONS:

Model No.	BTU Input	Heating Capacity BTU/HR	AFUE	Nozzle G.P.H. (Oil)	Nozzle Type (Oil)	Blower CFM @ 0.5 w.c.	Ship Wt.
O3MD-096A-16*	85,000	68,000	83.5	0.60	.60x80°A	950 - 1,300 - 1,600	275
	105,000	84,000	82.0	0.75	.75x80°A	950 - 1,300 - 1,600	275
	120,000	96,000	81.0	0.85	.85x80°A	950 - 1,300 - 1,600	275

*Factory set for 105,000 BTU/HR input (.75 gph).

Optional non-combustible floor base is available. Part # CSFB-T169

Furnace requires external filter rack.

Three-Speed Direct Drive Blower Standard

Beckett Burner Standard

Caution - All oil furnaces require proper set-up and installation by a certified oil heat technician.