

Q4SE Series

Single Packaged Heat Pump, Single Phase

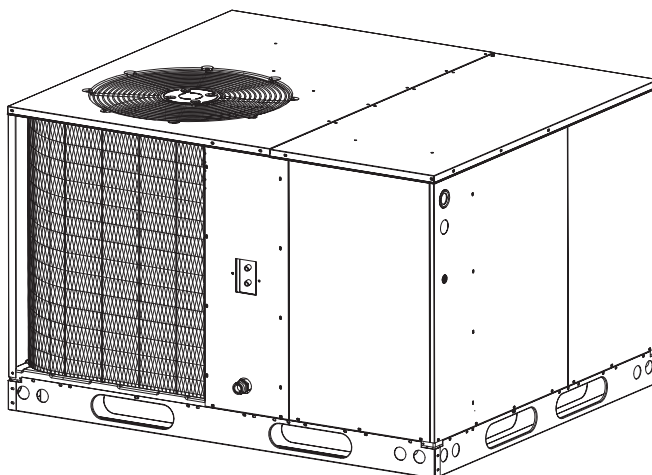
Q4SE-14 SEER

3 - 5 Ton Units

Cooling: 34,000 to 54,500 Btuh

Heating: 33,000 to 56,500 Btuh

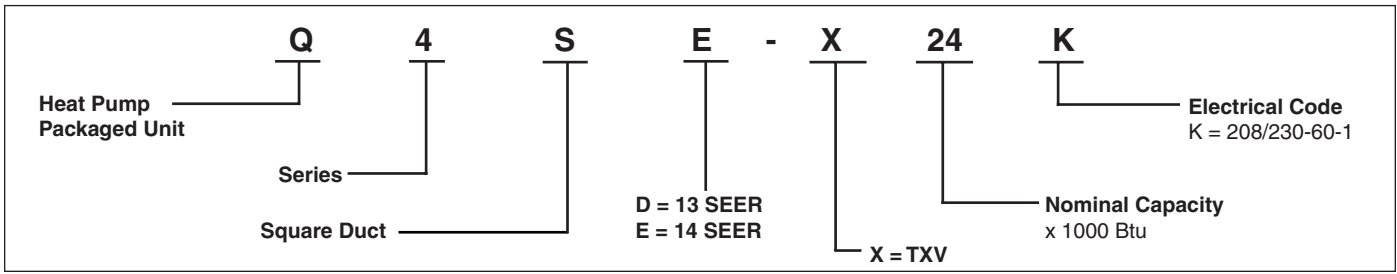
The Q4SE Series single packaged heat pumps are high efficiency self contained cooling and heating units that can be installed on a roof or on a slab. The convertible unit design makes installations simple in all applications. Units are ETL and ETLc listed.



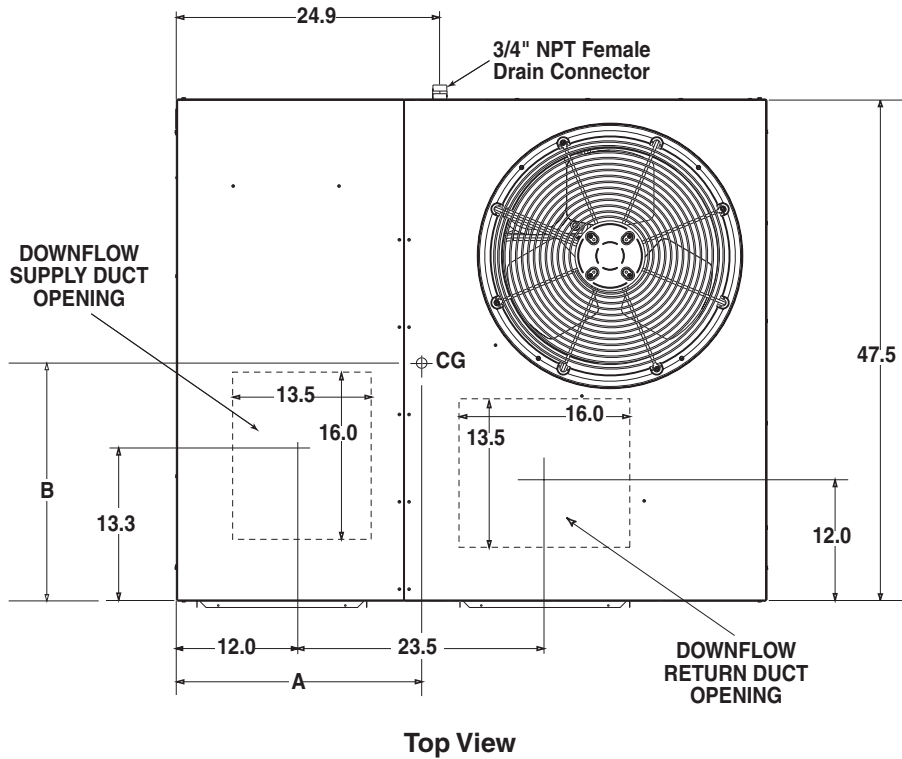
FEATURES AND BENEFITS

- **Compact Footprint/Low Profile**
Easy to handle and transport.
- **Heavy-Gauge, Full Perimeter Base Rails**
Facilitates forklift handling and curb mounting.
- **Convertible Air Delivery**
Horizontal or downflow to accommodate rooftop or horizontal application.
- **Galvanized Steel Cabinet**
Polyurethane finish provides 950 hours salt spray protection.
- **Plastic Coated Coil Guard and Mesh Hail Guard**
Will never rust and protects the coil from being damaged by balls, lawnmowers, hail etc.
- **Access to Controls and Major Components**
Easy in and out service.
- **Hi/Low Pressure Switches**
Added compressor protection.
- **Externally Accessible Service Ports**
Quick access to refrigerant system without disrupting operation.
- **Corrosion-Resistant Drain Pan**
Quickly drains away evaporator condensate.
- **Service Access Panels**
Allows easy access to all major components and the compressor. Designed to make servicing easier for the Contractor.
- **Easy to Install**
Electric heat strip provides up to 20 KW of heat output.
- **Proven, Industry Standard Components**
Easier service and availability.
- **Demand Defrost Standard**
Provides additional energy savings in heating by defrosting only when necessary.
- **Copeland Ultra-Tech Compressor**
2 stage heat/cool.
- **R410A Refrigerant**
Environmentally friendly.
- **ECM Variable Speed Motor**
Advanced technology allows the motor to automatically adjust to different static loads. The variable speed motor allows for extra quiet operation and improved air quality.
- **Quiet Operation and Low Vibration**
Compressor sound blanket.
- **8 Year Residential Parts Warranty and 5 Year Quality Pledge, 10 Year Compressor Warranty**
The best warranty in the business. Extended labor protection plans are available.
- **One Year Commercial Parts Warranty**

MODEL IDENTIFICATION CODE

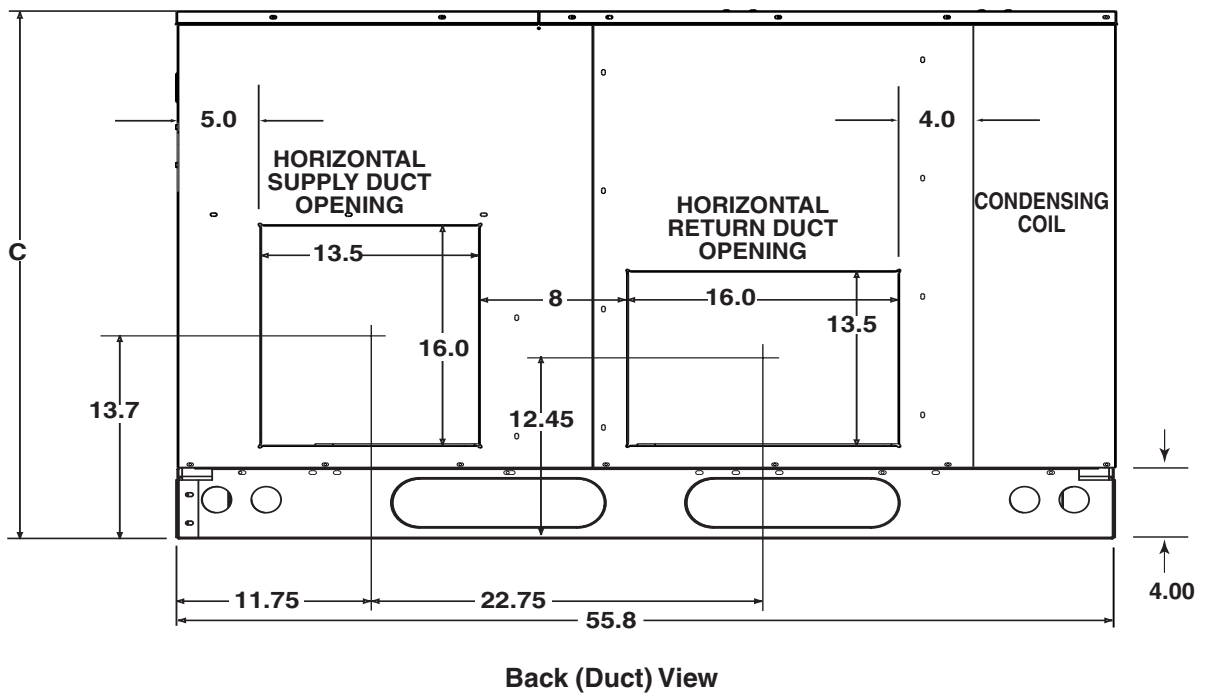
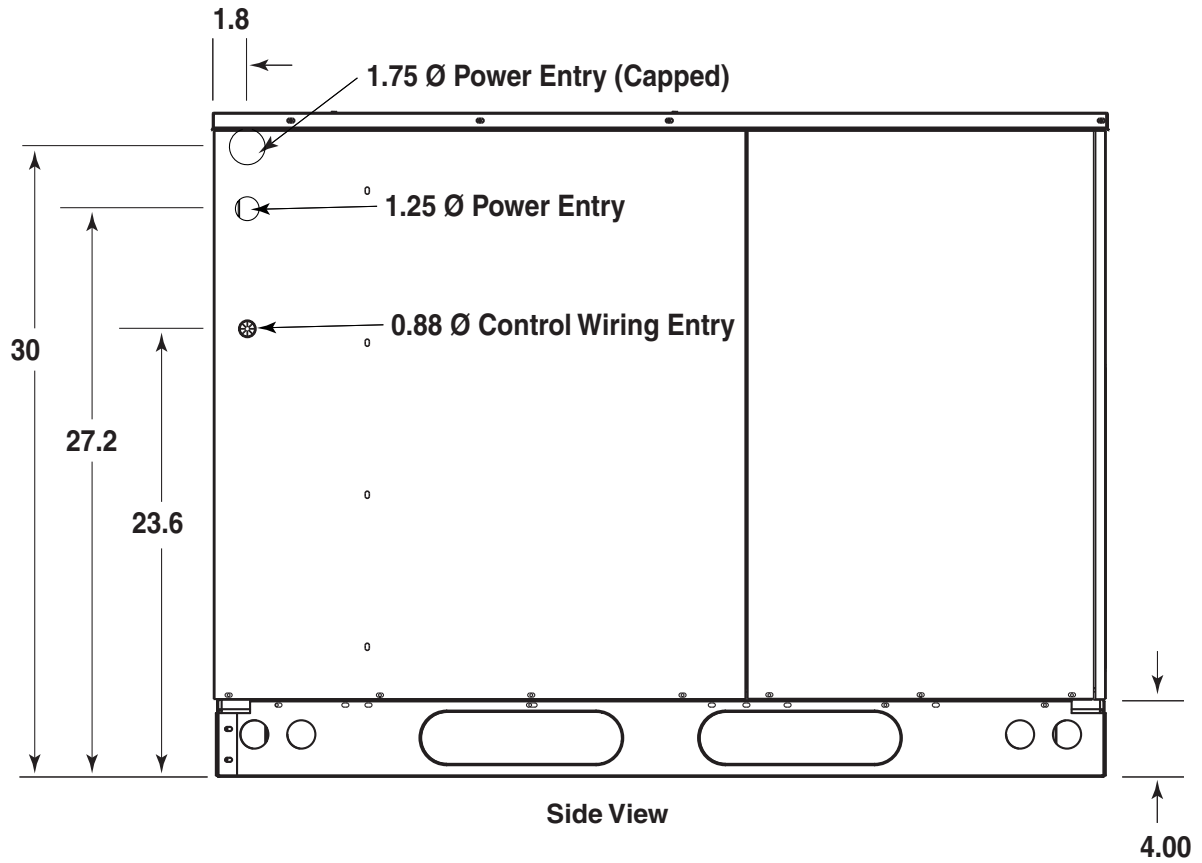


DIMENSIONS



| Model Number Q4SE | Unit Weight | Center of Gravity | | Height (in inches) | |
|----------------------|-------------|-------------------|------|--------------------|--------------------|
| | | A | B | C | |
| | | | | with base rails | without base rails |
| -X36 | 460 | 28.0 | 25.5 | 39.0 | 35.3 |
| -X48 | 570 | 29.5 | 26.0 | 43.0 | 39.3 |
| -X60 | 580 | 29.5 | 26.0 | 43.0 | 39.3 |

DIMENSIONS (Continued)



SPECIFICATIONS

| Model Number | Q4SE | | |
|----------------------------------|------------|------------|------------|
| | -X36K | -X48K | -X60K |
| Performance | | | |
| Capacity - Heating BTUH | 33,000 | 42,500 | 54,500 |
| Efficiency - HSPF | 8.0 | 8.0 | 8.0 |
| Capacity - Cooling BTUH | 34,000 | 44,000 | 56,500 |
| Efficiency - SEER | 14.00 | 14.50 | 14.00 |
| EER (Btuh/watt) | 11.0 | 11.0 | 11.0 |
| Electrical Rating - 60 Hz | | | |
| Phase | 1 | 1 | 1 |
| Operating Voltage Range | 187-253 | 187-253 | 187-253 |
| Compressor Data | | | |
| Volts | 208-230 | 208-230 | 208-230 |
| Rated Load Amps | 19.0 | 24.0 | 26.0 |
| Lock Rotor Amps | 82 | 96 | 118 |
| Indoor Blower | | | |
| Type | Var. Sp. | Var. Sp. | Var. Sp. |
| Motor HP | 1/2 | 3/4 | 3/4 |
| Motor RPM Range | 490-740 | 645-950 | 645-950 |
| Motor - Amps | 4.3 | 6.8 | 6.8 |
| Outdoor Fan | | | |
| Motor - HP / RPM | 1/4 - 1100 | 1/4 - 1100 | 1/3 - 1000 |
| Motor - Amps | 1.2 | 1.2 | 1.5 |
| Fan Diameter / CFM | 20 / 3800 | 20 / 3800 | 20 / 4000 |
| Refrigerant Charge - Oz. | 126.4 | 264 | 236.8 |
| Net Weight lbs. | 460 | 570 | 580 |
| Shipping weight lbs. | 470 | 580 | 590 |

ELECTRICAL DATA

| Model Number | Heater Installed Norm. KW | Multiple Supply Circuit Option | | | | | | | | | | | | | | | | | | | |
|--------------|---------------------------|--------------------------------|--------------------------|--------------------------|--------------------------|------------------------------|------------------------------|--------------------------|--------------------------|--------------------------|------------------------------|-----------------------------|--------------------------|--------------------------|--------------------------|------------------------------|-------------------------|--------------------------|--------------------------|--------------------------|------------------------------|
| | | Single Supply Circuit Option | | | | | Circuit A (Compressor & Fan) | | | | | Circuit B (Blower & Heater) | | | | | Circuit C (Heater Only) | | | | |
| | | Minimum Circuit Amp. | Rec. Wire Gage (60°C Cu) | Rec. Wire Gage (75°C Cu) | Rec. Wire Gage (90°C Cu) | Maximum Over-current Rating* | Minimum Circuit Amp. | Rec. Wire Gage (60°C Cu) | Rec. Wire Gage (75°C Cu) | Rec. Wire Gage (90°C Cu) | Maximum Over-current Rating* | Minimum Circuit Amp. | Rec. Wire Gage (60°C Cu) | Rec. Wire Gage (75°C Cu) | Rec. Wire Gage (90°C Cu) | Maximum Over-current Rating* | Minimum Circuit Amp. | Rec. Wire Gage (60°C Cu) | Rec. Wire Gage (75°C Cu) | Rec. Wire Gage (90°C Cu) | Maximum Over-current Rating* |
| Q4SE-X36K | 0 | 29.3 | 10 | 10 | 10 | 45 | - | - | - | - | - | - | - | - | - | - | - | - | - | - | - |
| | 5 | 54.3 | 6 | 6 | 8 | 60 | - | - | - | - | - | - | - | - | - | - | - | - | - | - | - |
| | 8 | 68.8 | 4 | 4 | 6 | 70 | 25 | 10 | 10 | 10 | 40 | 43.9 | 6 | 8 | 8 | 45 | - | - | - | - | - |
| | 10 | 79.3 | 3 | 4 | 4 | 80 | 25 | 10 | 10 | 10 | 40 | 54.3 | 6 | 6 | 8 | 60 | - | - | - | - | - |
| | 15 | 104.3 | 1 | 2 | 3 | 110 | 50 | 6 | 8 | 8 | 60 | 54.3 | 6 | 6 | 8 | 60 | - | - | - | - | - |
| | 20 | 138.0 | 0 | 0 | 1 | 150 | 31.2 | 8 | 8 | 8 | 50 | 56.8 | 4 | 6 | 6 | 60 | 25 | 10 | 10 | 10 | 30 |
| Q4SE-X48K | 0 | 38 | 8 | 8 | 8 | 60 | - | - | - | - | - | - | - | - | - | - | - | - | - | - | - |
| | 5 | 63 | 4 | 6 | 6 | 80 | 31.2 | 8 | 8 | 8 | 50 | 31.8 | 8 | 8 | 8 | 35 | - | - | - | - | - |
| | 8 | 77.6 | 3 | 4 | 4 | 90 | 31.2 | 8 | 8 | 8 | 50 | 46.4 | 6 | 8 | 8 | 50 | - | - | - | - | - |
| | 10 | 88.0 | 2 | 3 | 4 | 100 | 31.2 | 8 | 8 | 8 | 50 | 56.8 | 4 | 6 | 6 | 60 | - | - | - | - | - |
| | 15 | 113.0 | 0 | 2 | 2 | 125 | 31.2 | 8 | 8 | 8 | 50 | 56.8 | 4 | 6 | 6 | 60 | 25 | 10 | 10 | 10 | 30 |
| | 20 | 138.0 | 0 | 0 | 1 | 150 | 31.2 | 8 | 8 | 8 | 50 | 56.8 | 4 | 6 | 6 | 60 | 50 | 6 | 8 | 8 | 60 |
| Q4SE-X60K | 0 | 40.8 | 6 | 8 | 8 | 60 | - | - | - | - | - | - | - | - | - | - | - | - | - | - | - |
| | 5 | 65.8 | 4 | 4 | 6 | 80 | 34 | 8 | 8 | 8 | 60 | 31.8 | 8 | 8 | 8 | 35 | - | - | - | - | - |
| | 8 | 80.4 | 3 | 4 | 4 | 90 | 34 | 8 | 8 | 8 | 60 | 46.4 | 6 | 8 | 8 | 50 | - | - | - | - | - |
| | 10 | 90.8 | 2 | 3 | 4 | 100 | 34 | 8 | 8 | 8 | 60 | 56.8 | 4 | 6 | 6 | 60 | - | - | - | - | - |
| | 15 | 115.8 | 0 | 1 | 2 | 125 | 34 | 8 | 8 | 8 | 60 | 56.8 | 4 | 6 | 6 | 60 | 25 | 10 | 10 | 10 | 30 |
| | 20 | 140.8 | 0 | 0 | 1 | 150 | 34 | 8 | 8 | 8 | 60 | 56.8 | 4 | 6 | 6 | 60 | 50 | 6 | 8 | 8 | 60 |

*When overcurrent rating exceeds 60, internal circuit breakers must be installed in addition to branch circuit protection at distribution panel.

BLOWER PERFORMANCE

Basic Air-Flow Settings

| 1/2 HP Motor | | | | | | 3/4 HP Motor | | | | | | | | |
|--------------|--------|---|---|---|------------------|--------------|--------|---|---|---|------------------|-----|------------------|--|
| CFM | Switch | | | | Nominal | CFM | Switch | | | | Nominal | | | |
| | 1 | 2 | 3 | 4 | 3.0 | | 1 | 2 | 3 | 4 | 4.0 | 5.0 | | |
| 1080 | 0 | 0 | 0 | 1 | | 1395 | 0 | 0 | 0 | 1 | | | | |
| 1200 | 0 | 0 | 0 | 0 | | 1485 | 1 | 0 | 0 | 1 | 4 T O N | | | |
| 1215 | 1 | 0 | 0 | 1 | 3 T O N | 1550 | 0 | 0 | 0 | 0 | | | | |
| 1260 | 0 | 1 | 0 | 1 | | 1620 | 0 | 1 | 0 | 1 | | | | |
| 1320 | 0 | 0 | 1 | 0 | | 1650 | 1 | 0 | 0 | 0 | | | | |
| 1350 | 1 | 0 | 0 | 0 | | 1705 | 0 | 0 | 1 | 0 | | | | |
| 1395 | 1 | 1 | 0 | 1 | | 1710 | 1 | 1 | 0 | 1 | | | | |
| 1400 | 0 | 1 | 0 | 0 | | 1800 | 0 | 1 | 0 | 0 | | | 5 T O N | |
| 1485 | 1 | 0 | 1 | 0 | | 1815 | 1 | 0 | 1 | 0 | | | | |
| 1540 | 0 | 1 | 1 | 0 | | 1900 | 1 | 1 | 0 | 0 | | | | |
| 1550 | 1 | 1 | 0 | 0 | | 1980 | 0 | 1 | 1 | 0 | | | | |
| 1705 | 1 | 1 | 1 | 0 | | 2090 | 1 | 1 | 1 | 0 | | | | |

Note: 1=ON, 0=OFF

Air Flow Selection for Variable Speed Motors

| Nominal KW | CFM | Switch Number | | | | | | | |
|---------------|------|---------------|---|---|---|---|---|---|---|
| | | 1 | 2 | 3 | 4 | 5 | 6 | 7 | 8 |
| 0-5 | 500 | | | | | 0 | 0 | | |
| 6-10 | 700 | | | | | 1 | 0 | | |
| 11-15 | 900 | | | | | 0 | 1 | | |
| 16-20 | 1100 | | | | | 1 | 1 | | |

Note: 1=ON, 0=OFF

Minimum Electric Heat Airflow (all models)

| Delay Description | Switch Number | | | | | | | |
|-------------------|---------------|---|---|---|---|---|---|---|
| | 1 | 2 | 3 | 4 | 5 | 6 | 7 | 8 |
| Delay A | | | | | | | 0 | 0 |
| Delay B | | | | | | | 0 | 1 |
| No Delay | | | | | | | 1 | 0 |
| De-Hum. | | | | | | | 1 | 1 |

Note: 1=ON, 0=OFF

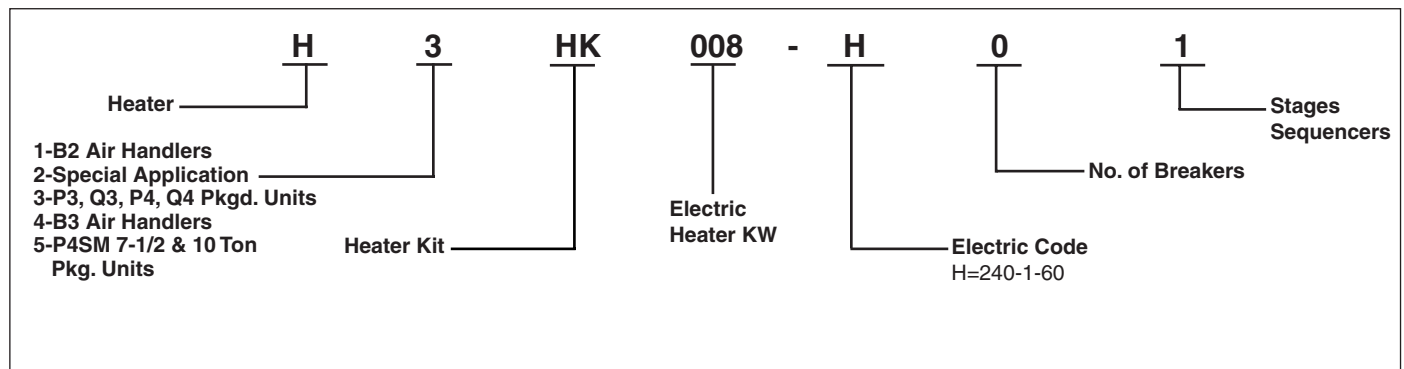
Delay Settings (all models)

HEATER APPLICATION MATRIX

| Model Number | H3HK-005H-01 | H3HK-008H-01 | H3HK-010H-01 | H3HK-015H-01 | H3HK-020H-01 | H3HK-015H-21 | H3HK-020H-21 |
|--------------|--------------|--------------|--------------|--------------|--------------|--------------|--------------|
| | 917166 | 917167 | 917168 | 917169 | 917170 | 917172 | 917173 |
| Q4S()-X36K | X | X | X(2) | X(2) | NA | X | NA |
| Q4S()-X48K | X(2) | X(2) | X(2) | X(3) | X(3) | X(1) | X(1) |
| Q4S()-X60K | X(2) | X(2) | X(2) | X(3) | X(3) | X(1) | X(1) |

NA = Not Applicable.
 () = Number of internal circuit breaker kits required.

MODEL IDENTIFICATION CODE



Q4 ACCESSORIES

| Description | Part Number |
|---|-------------|
| Roof Curb (8") | 547830 |
| Roof Curb (14") | 547831 |
| Roof Curb (18") | 547850 |
| Roof Curb (24") | 547851 |
| Supply/return transition, 16" | 547834 |
| Supply/return transition, 18" | 547835 |
| Concentric diffuser, flush, 16" | 547836 |
| Concentric diffuser, flush, 18" | 547837 |
| Concentric diffuser, step down 16" | 547838 |
| Concentric diffuser, step down 18" | 547839 |
| HOOD TYPE HAIL GUARD 34" X 76" Q4SD/EX24, X30, X36 | 547846 |
| HOOD TYPE HAIL GUARD 38" X 76" Q4SD/EX42, X48, X60 | 547847 |
| CO2 sensors (special order) | 547848 |
| DUCT SMOKE DETECTOR PHOTO ELEC | 547892 |
| MULTI SIGNAL CONTROL | 547893 |
| SAMPLING TUBE ST3 | 547894 |
| SAMPLING TUBE ST5 | 547895 |
| Filter Rack, All Downflow Applications (not required with economizer) | 547885 |
| Filter Kit (not required with economizer) Q4SD/EX24, X36 | 547888 |
| Filter Kit (not required with economizer) Q4SD/EX48, X60 | 547889 |
| Universal Hard Start Kit | 912933 |
| Low Pressure Switch Kit | 913551 |
| High Pressure Switch Kit | 913550 |
| Low Ambient Kit | 913549A |
| Outdoor Thermostat Kit | 913852 |

 and Westinghouse are trademarks of Westinghouse Electric Corporation and used under license to NORDYNE.

We Encourage
Professionalism

396C-1206 (Replaces 396C-1006)

Westinghouse products are
manufactured and distributed by NORDYNE.

O'Fallon, MO

NORDYNE



Through Technician
Certification by NATE



Specifications and illustrations subject to change without
notice and without incurring obligations.
Printed in U.S.A. (12/06)