

R4GE Series

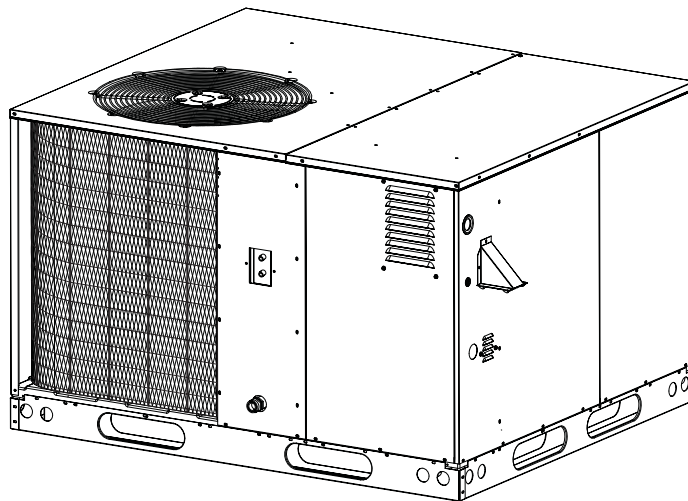
2-Stage Heat/Cool with Variable Speed Blower

Single Packaged Gas/Electric Units

R4GE up to 14 SEER

2 Ton thru 5 Ton Units

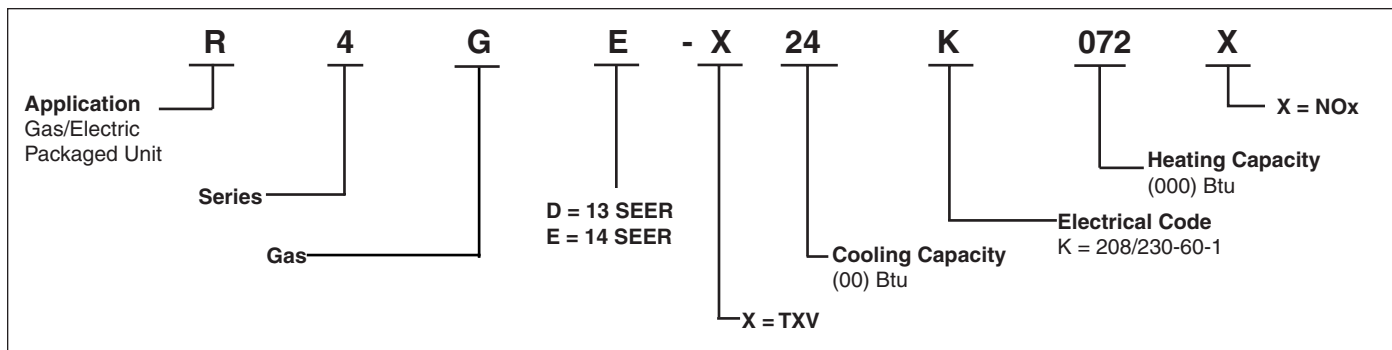
The R4GE Series single packaged gas/electrics are high efficiency self contained cooling units that can be installed on the roof or on a slab. The convertible unit design makes installations simple in all applications. Units are ETL and ETLc listed.



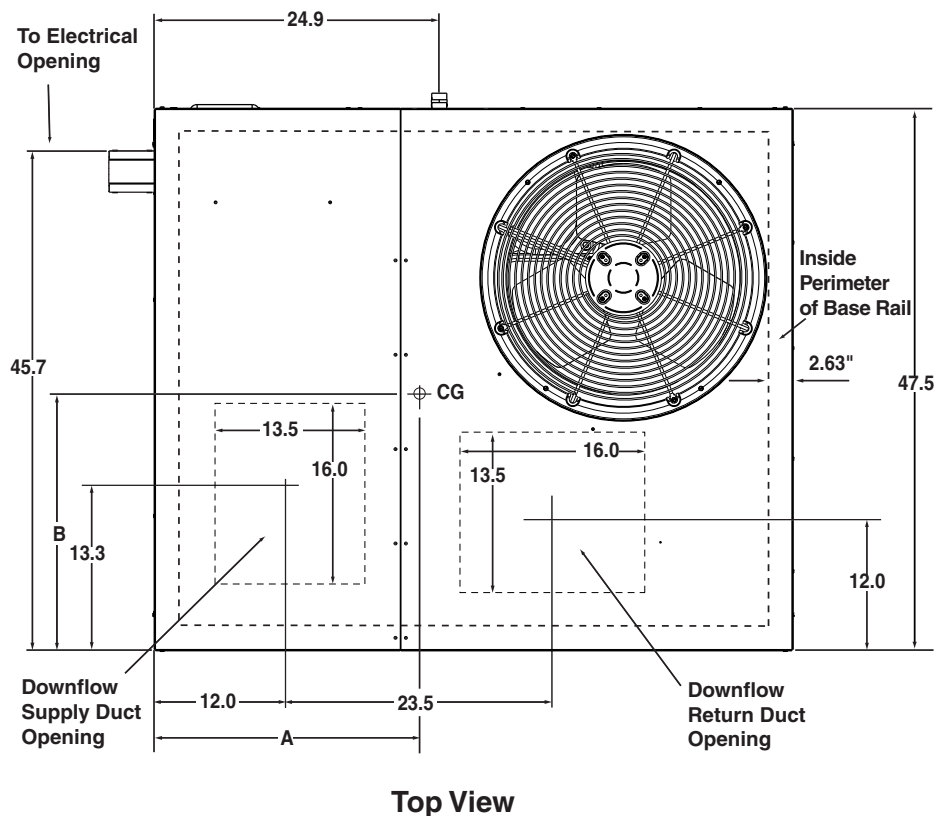
FEATURES AND BENEFITS

- **Compact Footprint/Low Profile**
Easy to handle and transport.
- **Heavy-Gauge, Full Perimeter Base Rails**
Facilitates forklift handling and curb mounting.
- **Convertible Air Delivery**
Horizontal or downflow to accommodate rooftop or horizontal application.
- **Galvanized Steel Cabinet**
with polyurethane finish provides 950 hour salt spray protection to resist corrosion.
- **Plastic Coated Coil Guard and Mesh Hail Guard**
Will never rust and protect the coil from being damaged by balls, lawnmowers, hail etc.
- **Accessible Service Ports**
Quick access to refrigerant system without disrupting operation.
- **Hi/Low Pressure Switches**
Added Compressor Protection.
- **Access to Controls and Major Components**
Easy in and out service.
- **Corrosion-Resistant Drain Pan**
Quickly drains away evaporator condensate.
- **Smaller Panels, Great Fit and Finish, Total Seal**
Well-designed, quality construction. Drip edge on top panels whisks away rainwater. Embossed bottom pan keeps blower compartment dry.
- **Thermal Expansion Valve**
Factory installed externally equalized thermal expansion valve provides precise refrigerant control under varying load conditions.
- **Copeland Ultra-Tech Compressor**
2 stage heat/cool.
- **R-410A Refrigerant**
Environmentally friendly.
- **Proven, Industry Standard Components**
Easier service and availability.
- **ECM Variable Speed Motor**
Advanced technology allows the motor to automatically adjust to different static loads. The variable speed motor allows for extra quiet operation and improved air quality.
- **Quiet Operation**
Low vibration. 20" fan blade combined with custom venturi condenser fan. Compressor sound blanket.
- **8 Year Residential Parts Warranty and 5 Year Quality Pledge, 10 Year Compressor Warranty**
The best warranty in the business. Extended labor protection plans are available.
- **One Year Commercial Parts Warranty**

MODEL IDENTIFICATION CODE



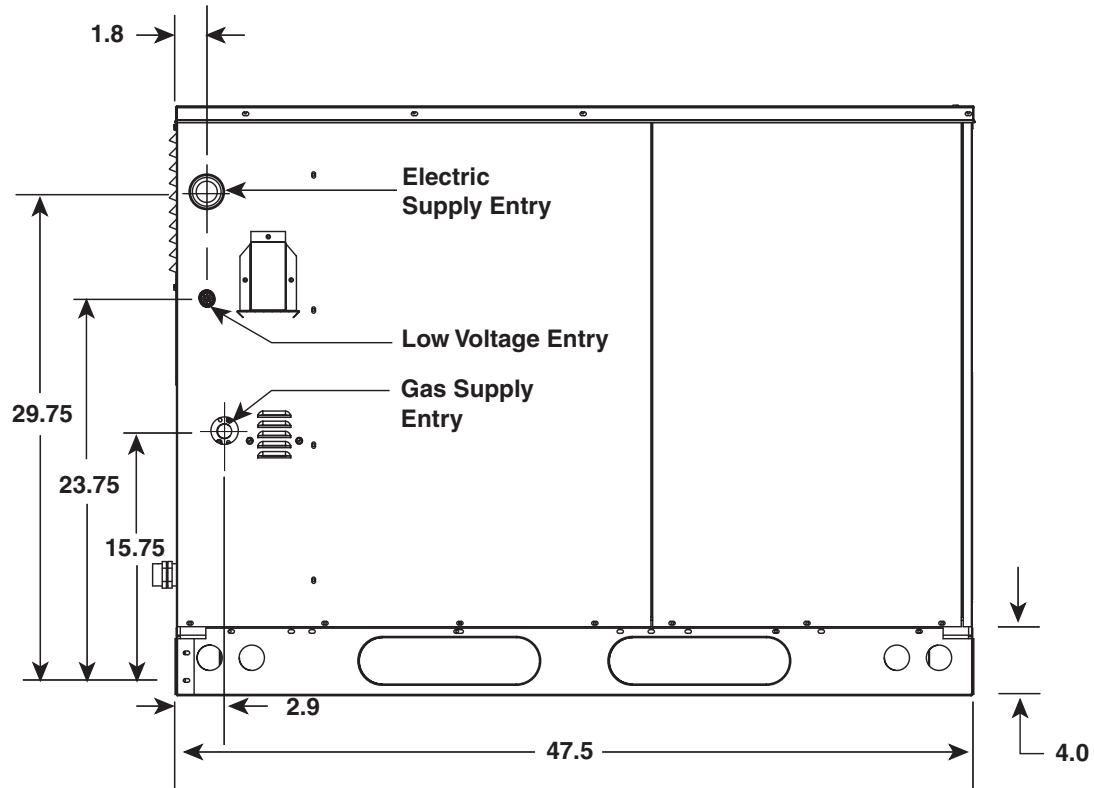
DIMENSIONS



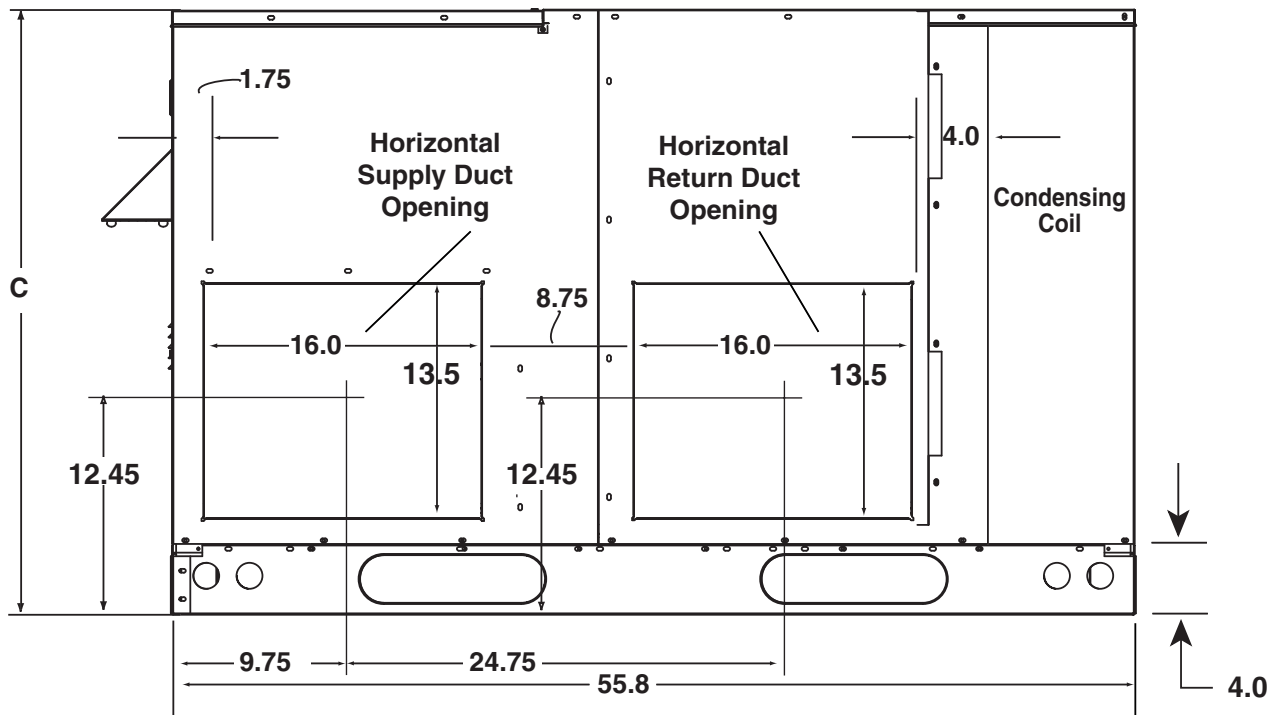
Top View

Model Number 14 SEER	Unit Weight	Shipping Weight	Center of Gravity		Height (in inches)	
			A	B	C	
					with base rails	without base rails
X24K072X	460	470	26.0	27.0	39.0	35.3
X36K100X	480	490	26.0	27.0	39.0	35.3
X48K120X	530	540	27.0	26.5	43.0	39.3
X60K120X	560	570	27.0	26.5	43.0	39.3

DIMENSIONS (Continued)



Side View



Back View

SPECIFICATIONS AND ELECTRICAL DATA

SINGLE PHASE

MODEL	R4GE-X24K072X	R4GE-X36K100X	R4GE-X48K120X	R4GE-X60K120X
Performance				
Heating Input High/Low Btuh	72,000 / 48,000	100,000 / 60,000	120,000 / 72,000	120,000 / 72,000
Heating Output High/Low Btuh	57,600 / 38,400	80,000 / 48,000	96,000 / 57,600	96,000 / 57,600
Capacity-Cooling Btuh	23,800	34,600	45,500	55,000
AFUE	80	80	80	80
Efficiency -- SEER	14.00	14.50	14.30	13.50
Efficiency -- EER	11.7	11.2	11.0	10.0
Electrical Rating - 60 Hz				
Phase	1	1	1	1
Operating Voltage Range	187 - 253	187 - 253	187 - 253	187 - 253
Minimum Circuit Ampacity	21.13	33.13	41.68	44.18
Max. Overcurrent Protection	30	50	60	60
Compressor Data				
Volts	208 / 230	208 / 230	208 / 230	208 / 230
Rated Load Amps	11.4	19	24	26
Lock Rotor Amps	52	82	96	118
Indoor Blower				
Wheel Diameter	10 x 10	10 x 10	11 x 10	11 x 10
Motor Type	Variable Speed	Variable Speed	Variable Speed	Variable Speed
Motor HP	1/2	3/4	1	1
Motor Amps	4.3	6.8	9.1	9.1
Outdoor Fan				
Motor HP	1/4	1/4	1/4	1/3
Motor Amps	1.2	1.2	1.2	1.5
Fan Diameter/CFM	20" / 3500	20" / 3500	20" / 3500	20" / 3500
Refrigerant Charge (oz)	144	124.8	224	225.6

AIRFLOW DATA

Model Number R4GE	Heating Input (Btuh)	Heating Output (Btuh)	Heat Switch Setting	CFM	Heating Rise Range (°F)	Cooling Output (Btuh)	Blower Size	Motor HP
X24K072X	72,000	57,600	1,1 0,1	1200 1000	35-65	23,800	10 X 10	1/2
	48,000	38,400	1,1 0,1	990 750				
X36K100X	100,000	80,000	1,0 0,0	1585 1500	40-70	34,600	10 X 10	3/4
	60,000	48,000	1,0 0,0	1100 900				
X48K120X	120,000	96,000	1,1 0,1	2005 1805	40-70	45,500	11 X 10	1
	72,000	57,600	1,1 0,1	1200 1100				
X60K120X	120,000	96,000	1,1 0,1	2005 1805	40-70	55,500	11 X 10	1
	72,000	57,600	1,1 0,1	1200 1100				

NOTE: CFM and Rise are independent of ESP in a variable speed blower.

Cooling Airflow Settings

SWITCH NUMBER				RECOMMENDED A/C AIRFLOW RATE (CFM)		
1	2	3	4	2 - 3 TON		
0	0	0	1	2 T O N	720	
0	0	0	0		800	
1	0	0	1		810	
0	0	1	0		880	
1	0	0	0		900	
0	1	0	1		900	
1	0	1	0		990	
0	1	0	0		1000	
1	1	0	1		3 T O N	1080
0	1	1	0			1100
1	1	0	0	1200		
1	1	1	0		1320	

SWITCH NUMBER				RECOMMENDED A/C AIRFLOW RATE (CFM)		
1	2	3	4	4 - 5 TON		
0	0	0	1	4 T O N	1440	
1	0	0	1		1530	
0	0	0	0		1600	
0	1	0	1		1620	
1	0	0	0		5 T O N	1700
1	1	0	1			1710
0	0	1	0			1760
0	1	0	0		1800	
1	0	1	0		1870	
1	1	0	0		1900	
0	1	1	0	1980		
1	1	1	0	2090		

NOTE: 0 = OFF 1 = ON

Heating Airflow Settings

Nominal Airflow Rates (CFM) and Temperature Rises (°F)														
Switches			R4GE-*072X				R4GE-*100X				R4GE-*120X			
			Low Fire Input		High Fire Input		Low Fire Input		High Fire Input		Low Fire Input		High Fire Input	
5	6	7	48,000		72,000		60,000		100,000		72,000		120,000	
0	0	#	N/A	N/A	N/A	N/A	900	51	1500	51	900	61	1500	61
1	0	#	N/A	N/A	N/A	N/A	1100	42	1585	48	1100	50	1585	58
0	1	#	750	49	1000	55	1100	42	1805	42	1100	50	1805	51
1	1	#	990	37	1200	46	1200	38	2005	38	1200	46	2005	46

NOTE: 0 = OFF 1 = ON

Switch is not used — Can be 0 or 1

1. Recommended temperature rises are highlighted in **bold**.
2. Temperature rises in the table are approximate. Actual temperature rises may vary.

R4GE ACCESSORIES

Description	Part Number
Roof Curb (8")	547830
Roof Curb (14")	547831
Roof Curb (18")	547850
Roof Curb (24")	547851
Cap, Duct Adapter, 12" Round	913811A
Cap, Duct Adapter, 14" Round	913812A
Filter Kit R4GE 024 - 036	547888
Filter Kit R4GE 048 - 060	547889
Filter Kit, All Downflow Applications (not required with economizer)	547885
Low Ambient Kit	918837
U.S. LP Gas Conversion Kit (0 ft to 10,000 ft above sea level)	904404
Canadian LP Gas Conversion Kit (0 to 4,500 ft above sea level)	904405
Universal Hard Start Kit	912933
Economizer, downflow w/filter (does not require filter kit) modulating	547833
Economizer, horizontal modulating	547841
Economizer, horizontal 3-position w/filter	547896
Economizer, downflow 3-position w/filter	547897
Power Exhaust, horizontal economizer (special order)	547843
Power Exhaust, downflow economizer (special order)	547842

We Encourage
Professionalism

Through Technician
Certification by NATE



*



Westinghouse products are manufactured and distributed by NORDYNE.

O'Fallon, MO

NORDYNE

 and Westinghouse are trademarks of Westinghouse Electric Corporation and used under license to NORDYNE.

* Energy Star 2 - 4 tons only

379C-1206

Before purchasing this appliance, read important energy cost and efficiency information available from your retailer. Specifications and illustrations subject to change without notice and without incurring obligations. Printed in U.S.A. (12/06)