

iQ Drive™

23 SEER Residential System

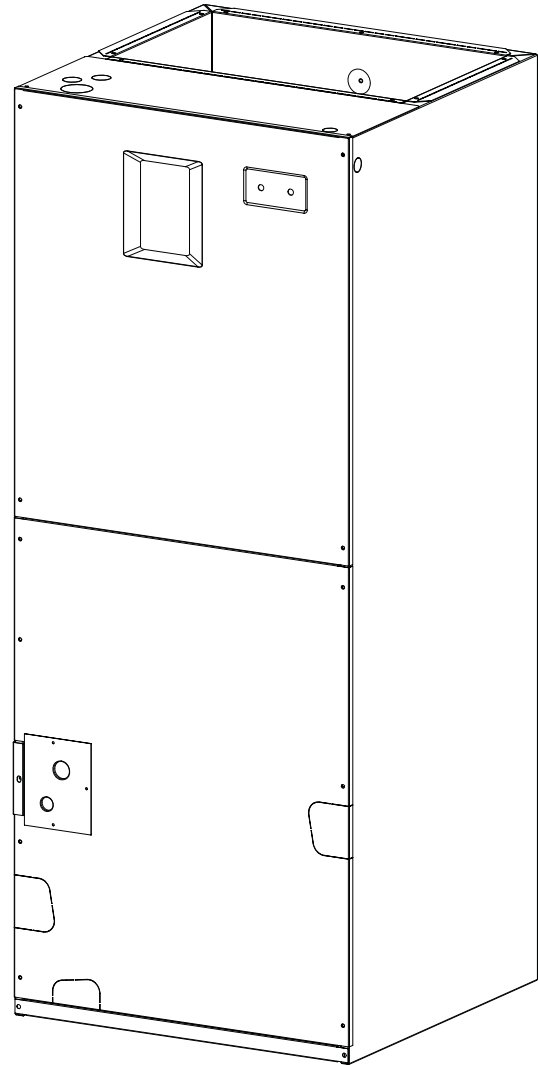
Indoor Sections

B5VM Series
Variable Speed Air Handler

C5 Series
Residential Indoor Coils with EXV

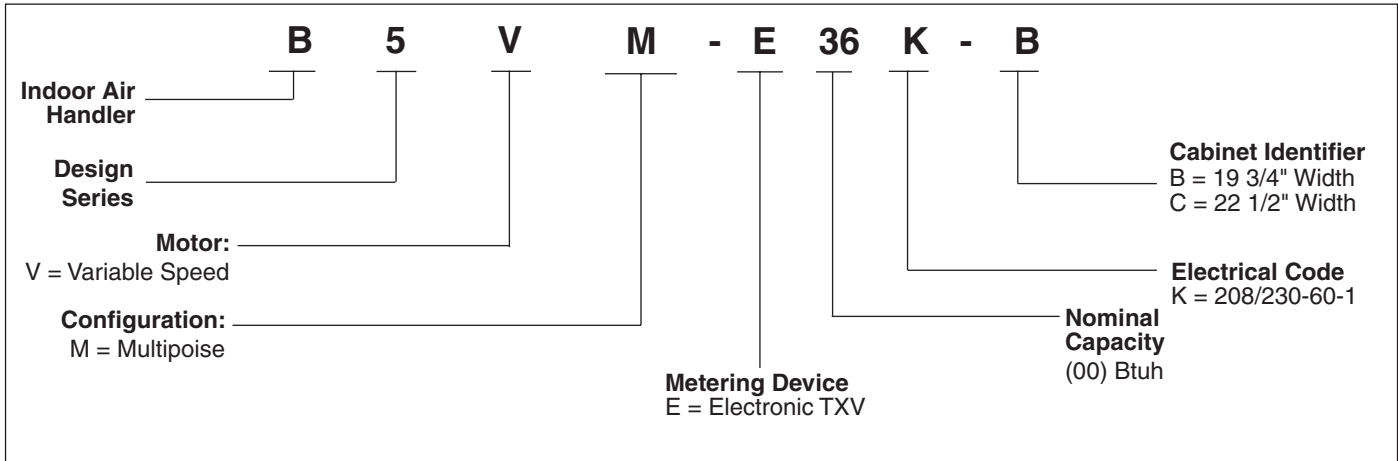
FEATURES and BENEFITS

- **Durable, Attractive Cabinet** — Designed using galvanized steel. The door is also galvanized steel, with a polyester urethane finish. The 950 hour salt spray finish resists corrosion 50% better than comparable units. The plastic drain pan is corrosion-resistant.
- **Multi-poised** — Can be used in horizontal, upflow, downflow and vertical applications.
- **Increased Efficiencies** — Air conditioning efficiencies up to 23 SEER.
- **Variable Speed Motor** — Advanced technology allows for automatic selection of cooling airflows and heating airflows to match any application.
- **Quiet Blower Operation** — Extra quiet and smooth blower on and off cycles.
- **Reduced air stratification** — This results in improved air quality by optimizing humidity removal and filtration capabilities.
- **Ease-of-Service** — Plug-in wire connections and built-in filter rack makes the air handler easy to service.
- **Plug-in Heater Kits** — Available in 5 kw - 30 kw
- **Air Handler Control Board** — Controls time-sequencing of heat stages with field-selectable sequence timing.
- **Breaker Accessibility** — Breaker accessible from front of unit when heater is applied.
- **No Fasteners on Sides or Back** — Smooth surfaces for ease of installation.
- **Cabinet Insulation** — 1" insulation with an R-value of 4.2 contributes to quiet operation and prevents cabinet sweating in difficult applications.
- **Warranty** — Eight year limited all parts warranty, a major benefit to the consumer.

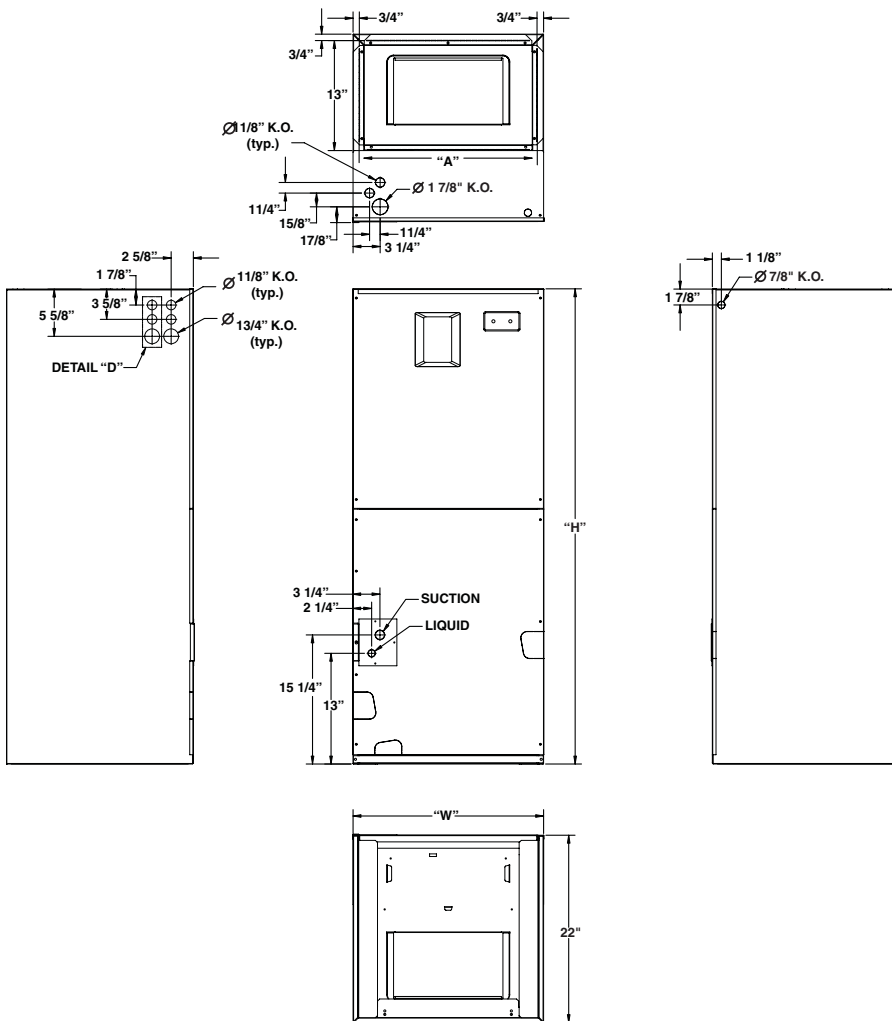


B5 AIR HANDLER

MODEL IDENTIFICATION CODE



DIMENSIONS



SPECIFICATIONS

Model Number	B5VM-	*E36K-B	*E48K-C
Nominal cooling capacity - BTUh ¹		36000	48000
Metering Device		EXV	EXV
Maximum Available Auxiliary Heat		20	30
Nominal Blower Size (Dia. x Width)		11 x 8	11 x 10
Motor Hp-speeds-type		1/2-VS	3/4-VS
Filter Size (supplied internal filter rack) ²		18x20x1	20x20x1
Approximate Shipping Weight, lbs		114	154
Height, "H", in.		49-5/16	55-15/16
Width, "W", in.		19-11/16	22-7/16
Supply Air Outlet Dimension, in.		12-7/8 x 18-1/4	12-7/8 x 21
Ref. Connection Sizes, in. (suc./liq.)		7/8 - 3/8	7/8 - 3/8
Range SCFM		500-1110	680-1455

¹ See current ARI Directory for certified combinations and ratings.

² Filter is not supplied with unit.

ELECTRICAL DATA

			Variable Speed Air Handler								
			Min. Circuit Ampacity				Max. Over-Current Protection				
			Circuit A	Circuit B	Circuit C	Single Circuit	Circuit A	Circuit B	Circuit C	Single Circuit	
Model Number H6HK-	Voltage	KW									
005H-XX	240	4.8	-	-	-	32.3	-	-	-	40	
008H-XX	240	7.5	-	-	-	46.3	-	-	-	50	
010H-XX	240	9.6	-	-	-	57.3	-	-	-	60	
015H-XX	240	14.4	57.3	25.0	-	82.3	60	30	-	90	
020H-XX	240	19.2	57.3	50.0	-	107.3	60	60	-	125	
025H-XX	240	24.0	57.3	50.0	25.0	132.3	60	60	30	150	
030H-XX	240	28.8	57.3	50.0	50.0	157.3	60	60	60	175	
005H-XX	208	3.6	-	-	-	28.9	-	-	-	30	
008H-XX	208	5.6	-	-	-	40.9	-	-	-	50	
010H-XX	208	7.2	-	-	-	50.5	-	-	-	60	
015H-XX	208	10.8	50.5	21.6	-	72.2	60	25	-	80	
020H-XX	208	14.4	50.5	43.3	-	93.8	60	50	-	100	
025H-XX	208	18.0	50.5	43.3	21.6	115.4	60	50	25	125	
030H-XX	208	21.6	50.5	43.3	43.3	137.1	60	50	50	150	

ACCESSORIES

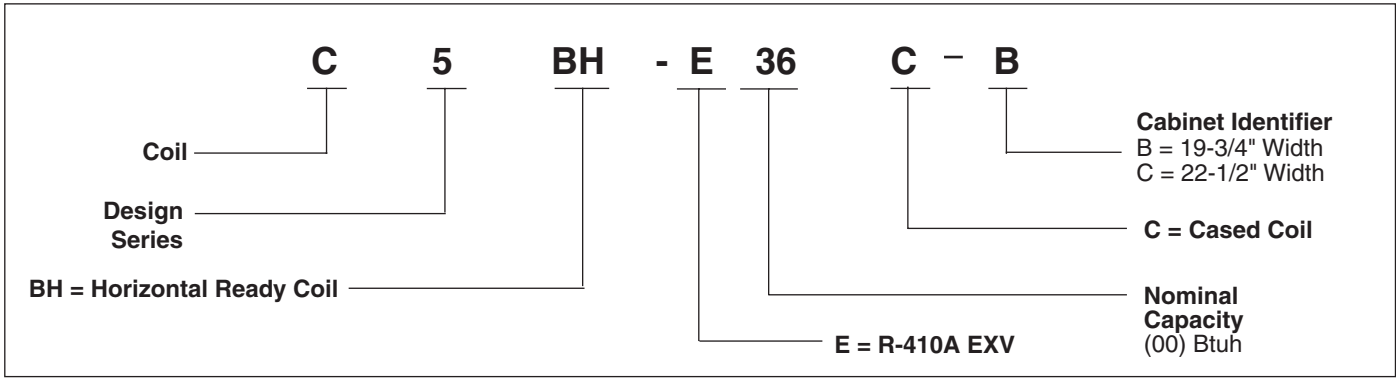
Accessory Kit Description	Cabinet Size		Order Number
	B	C	
Down-flow adaptor kit	X		919321
		X	919322
Single circuit adaptor for 2 circuit breakers	X	X	913874
Single circuit adaptor for 3 circuit breakers	n/a	X	913556
Horizontal conversion kit for vertical-only units	X		919405
		X	914730

240V Single-Phase Heater Kit Application

Nominal KW	Matched Units		Order Number	
	36K-B	48K-C	With Circuit Breakers	Without Circuit Breakers
5	X	X	904407	904406
8	X	X	904409	904408
10	X	X	904412	904411
15	X	X	904414	n/a
20	X	X	904416	n/a
25	n/a	X	904417	n/a
30	n/a	X	904418	n/a

C5 COIL

MODEL IDENTIFICATION CODE



COIL DATA TABLES

Model C5BH	E36-B	E48-C
Face Area (ft ^2)	5.58	6.42
Rows	3	3
Fins per inch	14	14
Refrigerant Flow Control	EXV	EXV
Nominal Airflow (cfm)	1200	1500
Pressure drop at nominal airflow (in w.c.)	0.21	0.30
Connections:		
Inches	Liquid Line 3/8	Suction Line 7/8
Horizontal Kit	919319	919320

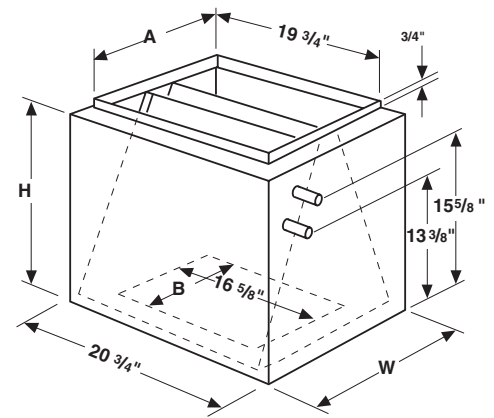


Figure 1. Cased Coil

Cased Coil Dimensions

Cabinet Identifier		Overall		Top Opening	Bottom Opening	Horizontal Drain Pan Extension
		W	H	A	B	C
B	E36	19 3/4	26	18 3/8	10 5/8	3 1/2
C	E48	22 1/2	29	21 1/8	13 5/8	4 1/2

NOTE:
Requires IQ Drive Furnace Blower Conversion Kit.

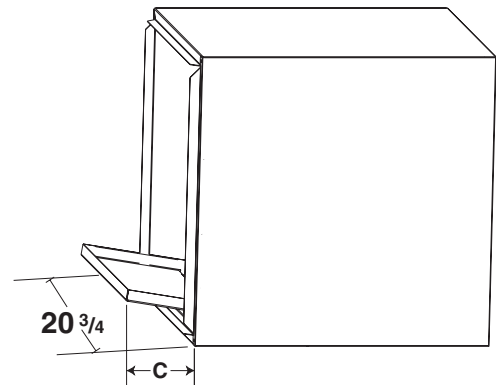


Figure 2. Horizontal Left Configuration with Drain Pan Extension



CERTIFICATION APPLIES ONLY WHEN THE COMPLETE SYSTEM IS LISTED WITH ARI



Trademark Frigidaire used under license.

295C-0506