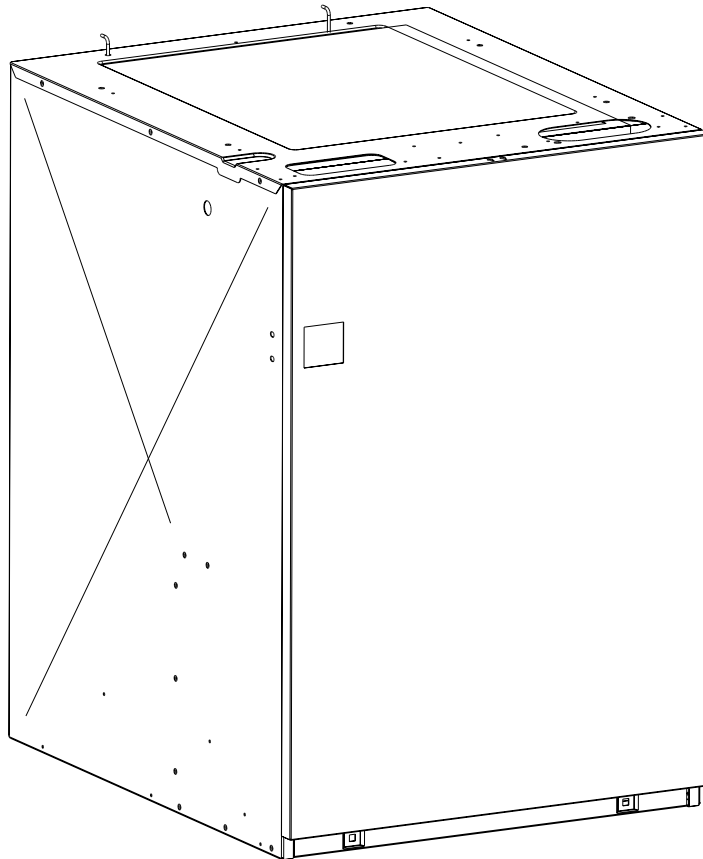


E2EB-xxx-HB Series Downflow, Upflow Electric Furnaces



These units incorporate reliability and low maintenance. Units may be installed free standing in a utility room or enclosed in an alcove or closet. E2 Series furnaces are A/C ready, with multiple blower combinations for cooling requirements.

Features and Benefits

- **Choice of Air Conditioning Options**
From 2 to 5 tons A/C ready.
 - **Easy Open Door**
Secures the door firmly for transit, yet allows easy removal for access.
 - **Effective Air Filter**
Universal disposable filter is readily available and simple to replace.
 - **Nichrome Heating Elements**
Provide long lasting, efficient heating.
 - **Appliance Quality Door**
Protects against rust and other corrosion. Baked enamel finish allows for easy cleaning.
 - **Fully Insulated Cabinet**
Insures minimized heat loss and quiet operation.
 - **Safety and Dependability**
Auto reset controls protect unit's electrical circuitry and help ensure trouble free performance. Built in circuit breakers for extra safety.
 - **Adaptable**
Unit can be adapted to provide dependable heating in either downflow or upflow mode.
-

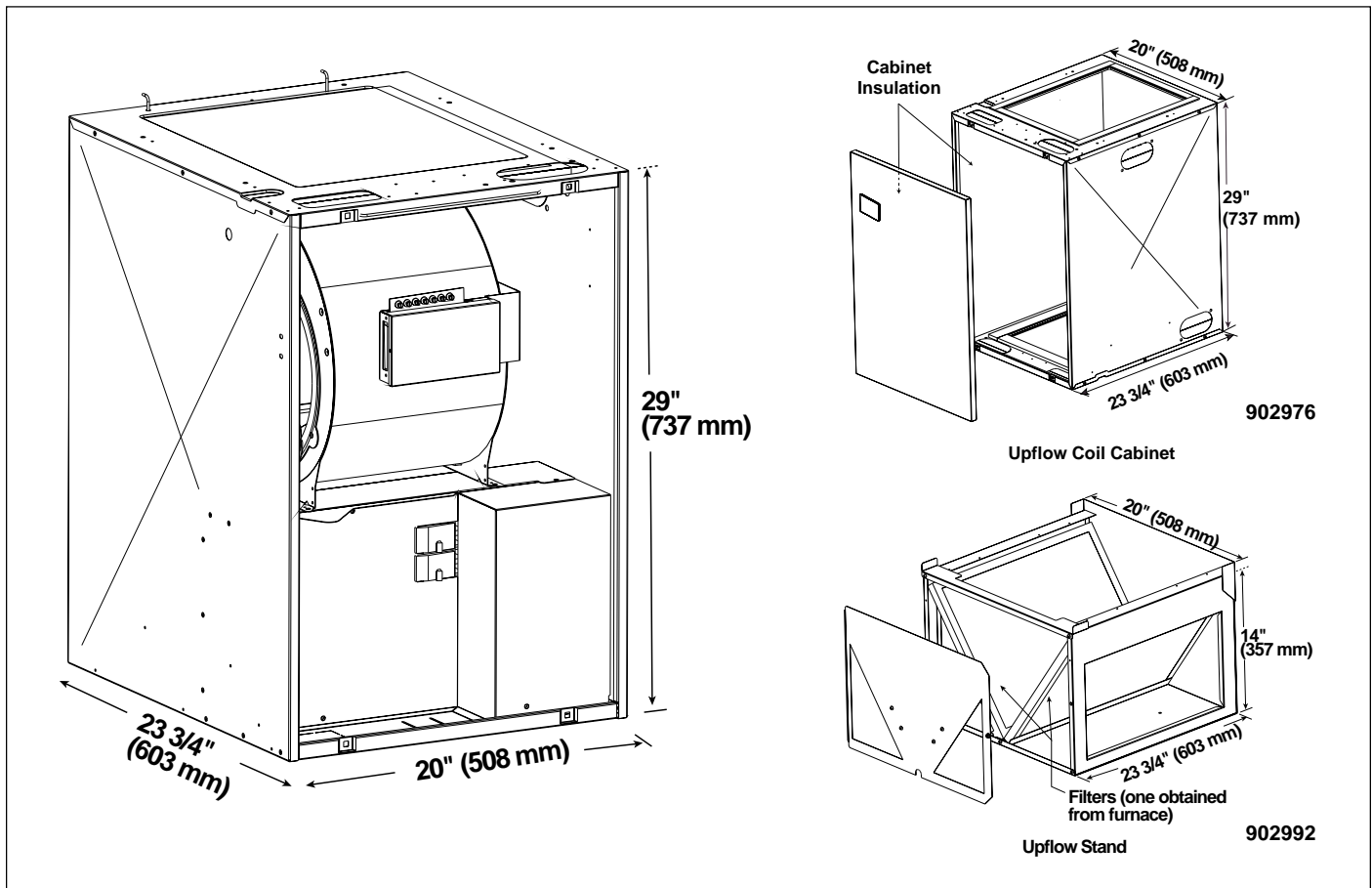


Figure 1. Optional Accessories

Electric Furnace Models	E2EB						
	010H	012H	015H	015HR	017H	020H	023H
Rated Heating Output, Btuh (see note 1)	35,000	41,000	53,000	57,000	57,000	70,000	75,000
Watts (Total kw, Heating Elements and Blower)	10.4	12.0	15.4	16.6	16.6	20.4	22.0
Supply Voltage	240 Volts/60Hz/1-Phase						
Heating Elements, No.(Total kw)	2 (10.0)	2 (11.6)	2 (15.0)	3 (16.2)	3 (16.2)	4 (20.0)	4 (21.6)
Blower Wheel Size	10.5" Dia., 8" Wide						
Motor Speed, H.P. Rating, Amps	4 Speed, 1/3 HP, 2.9						
Test ESP, in. w.c. Max	0.3						
Optional Cooling Available with factory installed blower	2.0 - 4.0 Ton (see note 3)						
Optional Heat Pump Available with factory installed blower	2.0 - 4.0 Ton						
Air Filter (Standard)	16" x 20" x 1" (nominal)						
Furnace Dimensions	Width-20" (508mm), Height-29" (737mm) (see note 2), Depth-24 1/2" (623mm)						

1. Heating output rated at listed voltage. For outputs at voltages other than 240V, multiply Btuh rating by the following factors: x 0.92 (230V), x 0.84 (220V), x 0.75 (208V)
2. Height is 58" with coil cabinet and upflow stand.
3. The factory installed blower for the EB models can be replaced with a multi-speed blower allowing the units to accept up to 5 tons of air conditioning.

Table 1. Unit Specifications

Model Number	Supply Circuit	Total Amperes	Maximum Over-current Rating	Minimum Circuit Ampacity	Copper Wire Size			Ground Wire Size	Low Voltage Thermostat Wire Size
					60°C	75°C	90°C		
-010	Single	45.5	60	56	4	6	6	10	2-Wire system maximum wire lengths: 24 Ga.= 55' 22 Ga.= 90' 20 Ga.= 140' 18 Ga.= 225' 4 or more Wire systems maximum wire lengths: 24 Ga.= 25' 22 Ga.= 45' 20 Ga.= 70' 18 Ga.= 110'
-012	Single	52.1	70	65	4	6	6	8	
	Dual "A"	28.0	40	34	8	8	8	10	
-015	Dual "B"	24.2	30	30	10	10	10	10	
	Single	66.3	90	82	2	4	4	8	
	Dual "A"	35.1	50	43	6	8	8	10	
-017	Dual "B"	31.3	40	39	8	8	8	10	
	Single	71.3	90	89	2	3	4	8	
	Dual "A"	48.8	60	60	4	6	6	8	
-020	Dual "B"	22.5	30	28	10	10	10	10	
	Single	87.1	125	108	0	2	2	6	
	Dual "A"	45.5	60	56	4	6	6	10	
-023	Dual "B"	41.7	60	52	4	6	6	10	
	Single	93.8	125	117	0	1	2	6	
	Dual "A"	48.3	60	60	4	6	6	8	
-023	Dual "B"	45.5	60	56	4	6	6	10	

Minimum overcurrent protection per NEC 424-3b not to be less than 125% of total amps for fixed resistance heat.

Table 2. Electrical Specifications

Furnace Model	Thermostat Anticipator Setting
EB-10, 12, 15	0.50
EB-17, 20, 23, 15 HR	0.75

Table 3. Anticipator Settings

CLEARANCES

ALL MODELS	CLOSET	ALCOVE
Front ‡	6"	18"
Back	0"	0"
Sides	0"†	0"†
Top	0"	0"
Top and Sides of Duct	0"	0"
Bottom of Duct	0"	0"

‡ Service Clearance

† For upflow application using upflow stand, 1" minimum per side.

AIRFLOW DATA

E2EB (010, 012, 015, 017, 020, 023) HA					
Coil		High	Med High	Med Low	Low
		None	None	None	None
Static (ESP) in W.C.	0.1	1503	1362	1203	885
	0.2	1458	1330	1174	863
	0.3	1414	1291	1146	831
	0.4	1352	1241	1103	798
	0.5	1282	1179	1055	758
	0.6	1208	1113	996	707

E2EB 5 ton accessory blower					
Coil		High	Med High	Med Low	Low
		None	None	None	None
Static (ESP) in W.C.	0.1	1886	1679	1373	1032
	0.2	1821	1630	1333	1004
	0.3	1768	1585	1296	970
	0.4	1700	1526	1252	928
	0.5	1643	1473	1201	884
	0.6	1584	1400	1147	824

ACCESSORIES

Description	Part Number
Blower, 5 Ton	902985
Fan Delay Kit (TDR)	911758
Coil Cabinet Upflow	902976
Coil Cabinet Downflow	903891
Upflow Stand	902992

