

B3BM Series (115 Volt)

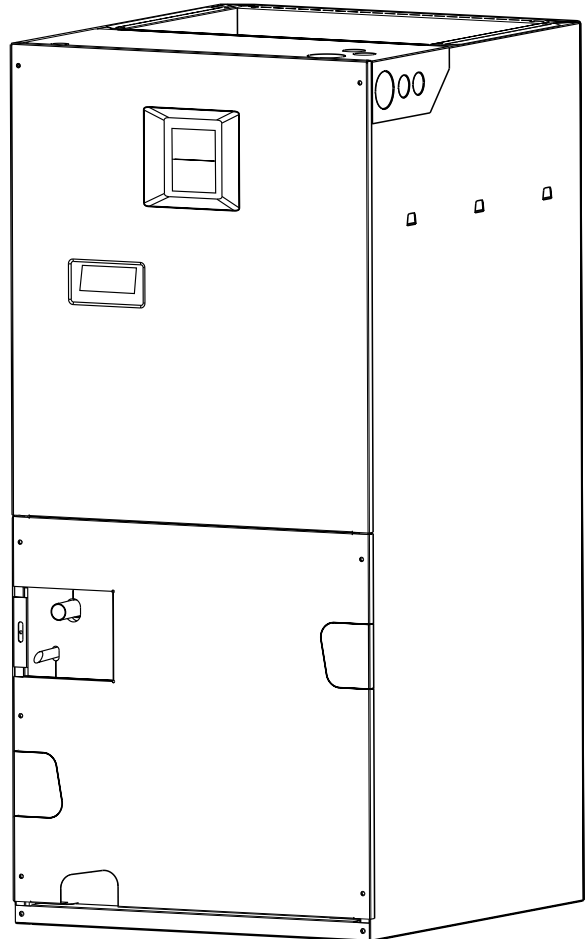
Air Handler

**10 and 12 SEER Residential System
18,000 - 48,000 Btuh
(Heat Pump & Air Conditioner)**

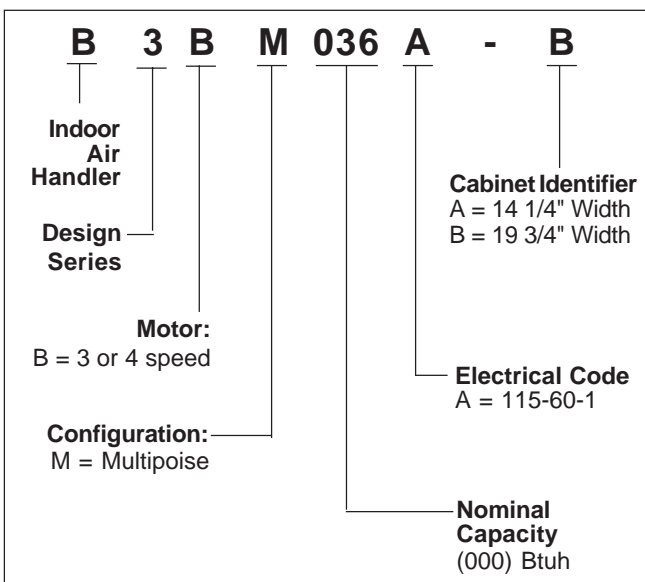
The B3BM Series of air handlers, when combined with our heat pump or air conditioner, offers a full line of quality, split system heating and cooling equipment.

FEATURES and BENEFITS

- **Durable, Attractive Cabinet**—Designed using galvanized steel with a polyurethane finish. The 950 hour salt spray finish is 1.5 mil thick and resists corrosion 50% better than comparable units. The plastic drain pan is corrosion resistant.
- **Multi-poised**—Can be used in horizontal, upflow, downflow and vertical applications.
- **Multi-speed**— Gives flexibility of installation.
- **Ease-of-Service** — Plug-in wire connections and built-in filter rack makes the air handler easy to service.
- **No Fasteners on sides or back** — Smooth surfaces for installations.
- **8 Year Limited All Parts Warranty** — The best in the industry and has proven to be a major benefit to the consumer.



MODEL IDENTIFICATION CODE



SPECIFICATIONS

Model B3BM (115 Volt)	024A-A	036A-A	048A-B
Nominal Cooling Capacity - Btuh (1)	22,800	36,000	45,500
Refrigerant Flow Control (2)	.060 (.051)*	.067 (.063)*	.080 (.075)*
Nominal Blower Size (D x W)	10 x 6	10 x 6	10 x 8
(H.P. - Speed - Type)	1/5-3-PSC	1/3-3-PSC	1/2-3-PSC
Rated External Static Pressure (in. W.C.)	.30	.35	.40
CFM @ Rated ESP	880	1150	1450
Filter Size (see note below)	12 x 20 x 1	12 x 20 x 1	18 x 20 x 1
Approximate Shipping Weight (lbs.)	75	85	140

(1) See current ARI Directory for certified combinations and ratings.

(2) Units are 10 SEER air conditioner ready as shipped.

* Additional orifice shipped with unit

SYSTEM AIR FLOW DATA

Unit	HP/ Wheel	Speed	ESP ("H2O)	CFM Low	CFM Med	CFM High
024A	1/3 HP 10 X 6	3	0.1	850	1070	1210
			0.2	840	1060	1190
			0.3	790	1010	1140
			0.4	750	960	1080
			0.5	700	900	1020
036A	1/3 HP 10 X 6	3	0.1	850	1080	1220
			0.2	840	1070	1210
			0.3	790	1030	1160
			0.4	750	980	1100
			0.5	700	920	1040
048B	1/2 HP 10 X 8	3	0.1	1510	1620	1690
			0.2	1470	1580	1650
			0.3	1390	1490	1510
			0.4	1320	1410	1450
			0.5	1250	1340	1380

DIMENSIONS

Models	B3BM	H	W	A	Refrigerant Connections	
					Suction Dia.	Liquid Dia.
024-A	42	14 1/4	12 3/4	3/4	3/8	
036-A	42	14 1/4	12 3/4	3/4	3/8	
048-B	43 1/2	19 3/4	18 1/4	3/4	3/8	

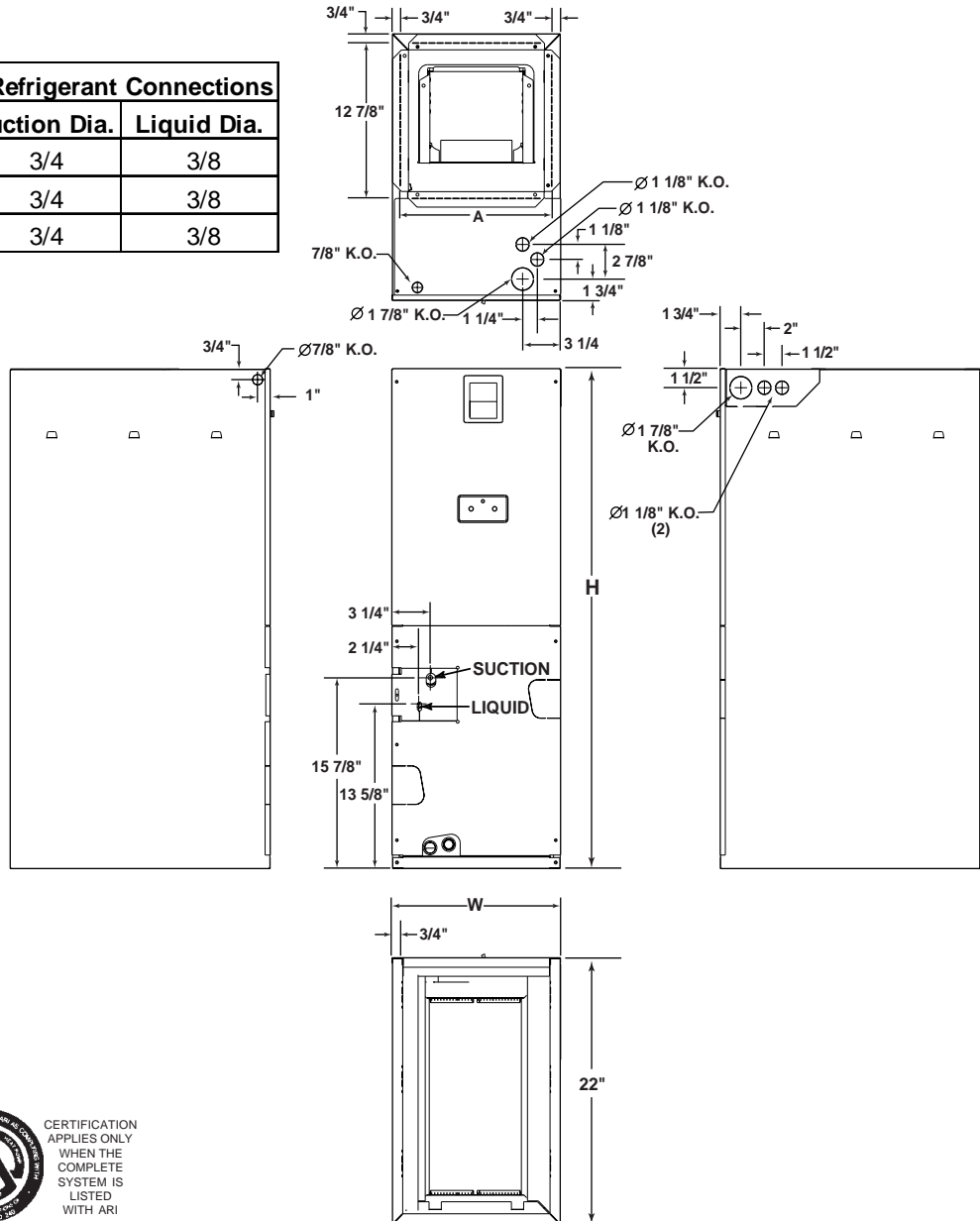
Models	Supply Air Duct Dimensions
024-A	12 7/8 x 12 3/4
036-A	12 7/8 x 12 3/4
048-B	12 7/8 x 18 1/4

ACCESSORIES

Accessory Kit Description	Cabinet Size		Order Number
	A	B	
Downflow	X		917342
Adaptor Kit		X	917343A
No Heater Kit Available for 115 Volt			

Notes:

- 1) Airflow is shown in cfm, +/- 5%.
- 2) External static pressure is shown in inches w.c.
- 3) All airflows are measured without filter and with dry coil. For filter velocity of 300 ft./min. subtract .08" external static pressure. For wet coil, subtract .1" external static pressure.
- 4) See unit nameplate or installation instructions for maximum recommended external static pressure.



CERTIFICATION APPLIES ONLY WHEN THE COMPLETE SYSTEM IS LISTED WITH ARI

and Westinghouse are trademarks of Westinghouse Electric Corporation and used under license to NORDYNE.

245B-0203 (Replaces 245B-0102)

Westinghouse products are manufactured and distributed by NORDYNE.

Specifications and illustrations subject to change without notice and without incurring obligations. Printed in U.S.A. (02/03)