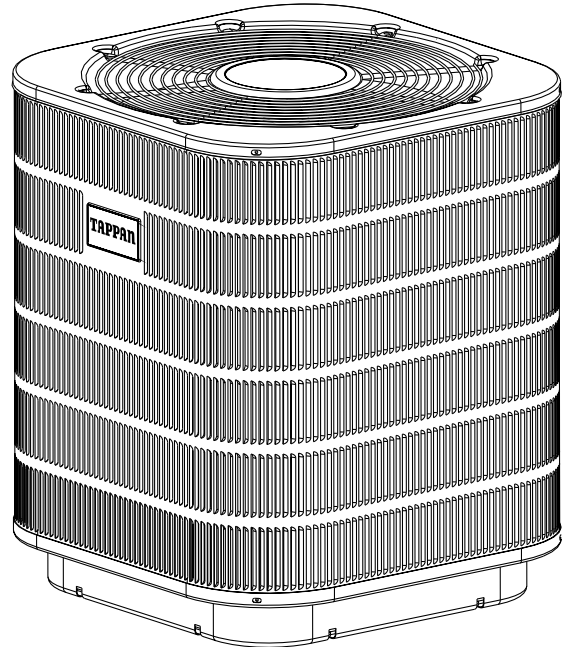


## **FS5BU Series High Efficiency Air Conditioner 13 SEER Residential System 1-1/2 – 5 Ton Capacity**

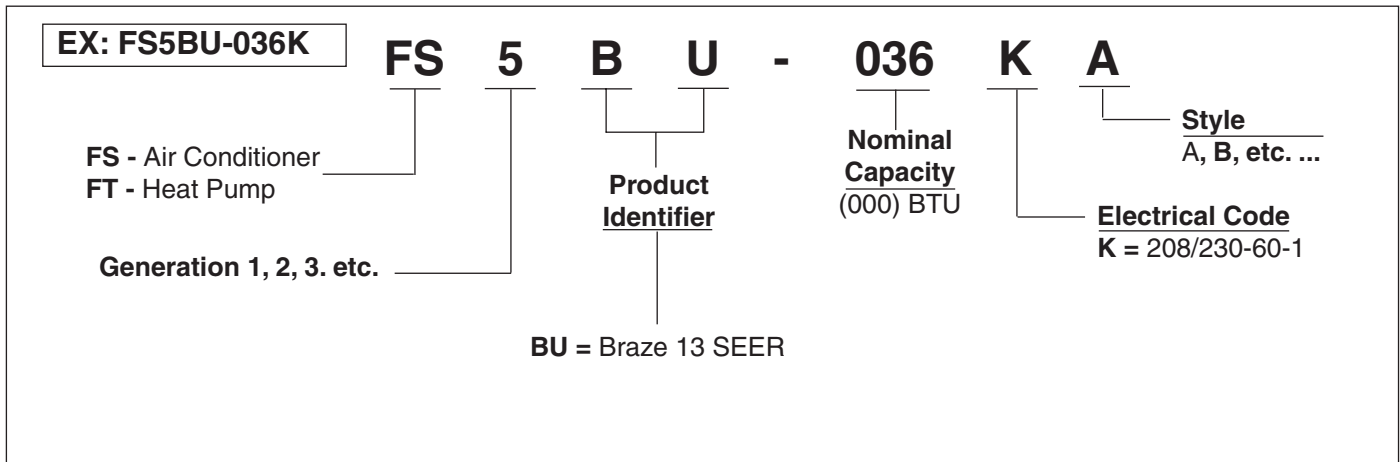
The FS5BU Series of air conditioners offers exceptional performance from a small, compact package. The unit, when combined with our engineered coils or air handlers, offers a full line of quality, split system cooling equipment. Units are ideally sized for slab or rooftop mounting in single, multifamily, and light commercial applications.



### **FEATURES and BENEFITS**

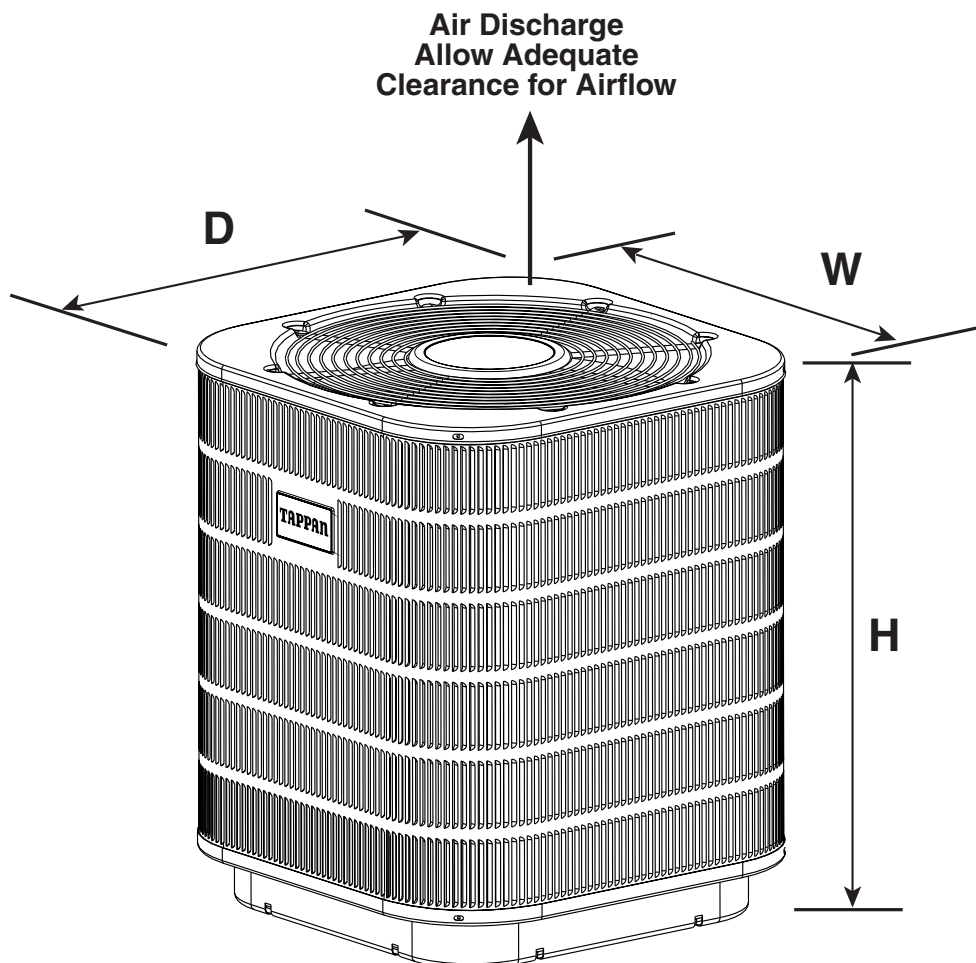
- **Designed using galvanized steel** – with a polyester urethane coat finish. The 950 hour salt spray finish resists corrosion 50% better than comparable units.
- **Copper Tube / Aluminum Fin Coils** – Both indoor and outdoor coils are designed to optimize heat transfer, minimize size and cost, and increase durability and reliability.
- **Permanently Lubricated Motor** – A heavy duty PSC motor for long lasting reliability and quiet operation. Requires no maintenance and is completely protected from rain and snow.
- **Full Service Valves** – These brass valves are easily accessible and simplify servicing of the refrigeration system.
- **Louvered Condenser Guard** – Durable metal guard protects the coil from yard hazards and extreme weather.
- **Removable Top Grille Assembly** – Allows ease of service from the top without disconnecting fan motor leads.
- **One Piece Top/Orifice** – Designed for maximum airflow and quiet operation.
- **2-1/2" Pedestal Base** – The sturdy base keeps the bottom of the coil out of harms way. Secondly, the base has weep holes along the edge to allow the water from rain to flow away from the unit.
- **Easy Compressor and Control Access** – Designed to make servicing easier for the contractor, access panels are provided to all controls and the compressor from the side of the unit.
- **5 Year Limited All Parts Warranty**

## MODEL IDENTIFICATION CODES



## DIMENSIONS AIR CONDITIONER OUTDOOR SECTION

FS5BU-	018	024	030	036	042	048	060
H	22 1/2	26 1/2	30 1/2	34 1/2	30 1/2	34 1/2	42 1/2
W	22 1/2	22 1/2	22 1/2	22 1/2	30 1/2	30 1/2	30 1/2
D	22 1/2	22 1/2	22 1/2	22 1/2	30 1/2	30 1/2	30 1/2



# PHYSICAL AND ELECTRICAL SPECIFICATIONS / OUTDOOR UNITS

## 13 SEER — High Efficiency — Single Phase

Model Number FS5BU-		018	024	030	036	042	048	060	
Electrical Data	Volts-Cycles-Phase (1)	208/230-60-1	208/230-60-1	208/230-60-1	208/230-60-1	208/230-60-1	208/230-60-1	208/230-60-1	
	Total Amps	10.3	12.8	14.7	17.8	19.8	21.8	29.4	
	Delay Fuse Max. (2)	20	25	30	35	40	45	60	
	Min. Circuit Ampacity	12.8	15.8	18.1	21.9	24.4	26.9	36.4	
Condenser Data	Coil	Area	8.2	9.9	11.5	13.2	17.7	20.3	25.4
		Rows-FPI	1-16	1-18	1-22	1-22	1-22	1-22	1-22
		Tube Dia	3/8" O.D.	3/8" O.D.	3/8" O.D.	3/8" O.D.	3/8" O.D.	3/8" O.D.	3/8" O.D.
	Fan Motor	Type	PSC	PSC	PSC	PSC	PSC	PSC	PSC
		Amps	0.34	0.67	1.1	1.4	1.4	1.4	1.4
		Watts-HP	37.3 - 1/20	74.6 - 1/10	93.3 - 1/8	186.5 - 1/4	186.5 - 1/4	186.5 - 1/4	186.5 - 1/4
	Fan Blade	Dia-# Blades	18"- 3	18"- 3	18"- 3	18"- 4	24"- 3	24"- 3	24"- 3
		SCFM	1630	1980	2345	2800	4000	4000	4000
	Compressor Data	RLA	10	12.1	13.6	16.4	18.4	20.4	28
		LRA	41	54	67	83	95	109	148
Refrigerant suction line O.D. (all length of liquid line are 3/8" O.D.)	0-24 ft.	5/8" (3)	3/4"	3/4"	7/8"	7/8"	7/8"	1-1/8" (5)	
	25-39 ft.	3/4"	3/4"	3/4"	7/8"	7/8"	7/8"	1-1/8" (5)	
	40-75 ft.	3/4"	3/4"	3/4"	7/8"	7/8"	7/8"	1-1/8" (5)	
Refrigerant charge (R-22) in ounces for outdoor unit, indoor unit and 15' lineset.		61	63	68	82	102	110	155	
Weight	Net	96	103.5	128	142	174	186	238	
	Approximate (lbs.)	Ship	105	112.5	137	151	186	250	

\* Values shown are most severe and may vary slightly depending on the make of the compressor supplied.

(1) Operating Voltage Range: 187v min. — 253v max.

(2) HACR Type Circuit Breakers may be used.

(3) Requires 3/4" to 5/8" reducer from unit to line.

(4) Requires 7/8" to 3/4" reducer from line to unit.

(5) Requires 7/8" to 1-1/8" reducer from line to unit.

## ACCESSORIES - Condensing Unit

### Start Assist Kit - 912933

Provides additional starting torque for the compressor motor when operating with low line voltage or high operating temperatures.

COPPER WIRE SIZE — AWG (1% Voltage Drop)				
Supply Wire Length-Feet				Supply Circuit
200	150	100	50	Ampacity
6	8	10	14	15
4	6	8	12	20
4	6	8	10	25
4	4	6	10	30
3	4	6	8	35
3	4	6	8	40
2	3	4	6	45
2	3	4	6	50

Wire Size based on N.E.C. for 60° type copper conductors.

# SYSTEM COOLING CAPACITIES

## 13 SEER — High Efficiency — Single Phase

Outdoor Unit	Indoor Unit Number C5B*-	Capacity BTUH	SEER	EER	SCFM	Orifice (1)
018K	C5B(A,H)-030(C,U)-(A,B)+TDR+LLS	17,600	13.0	12.1	525	0.050
024K	C5B(A,H)-030(C,U)-(A,B)+TDR+LLS	23,200	13.0	11.7	700	0.059
030K	C5B(A,H)-042(C,U)-B+TDR+LLS	29,600	13.0	11.6	875	0.069
036K	C5B(A,H)-048(C,U)-B+TDR+LLS	35,800	13.0	11.3	1,080	0.075
042K	C5B(A,H)-048(C,U)-B+TDR+LLS	39,500	13.0	11.8	1,250	0.078
048K	C5B(A,H)-060(C,U)-C+TDR+LLS	47,500	13.0	11.7	1,400	0.089
060K	C5B(A,H)-060(C,U)-C+TDR+LLS	57,000	13.0	11.2	1,600	0.099

Outdoor Unit	Indoor Unit Number B5B*-	Capacity BTUH	SEER	EER	SCFM	Orifice (1)
018K	B5B(M,V)-030(A,K)-(A,B)+TDR+LLS	17,600	13.0	12.1	525	0.050
024K	B5B(M,V)-030(A,K)-(A,B)+TDR+LLS	23,200	13.0	11.7	700	0.059
030K	B5B(M,V)-042(A,K)-B+TDR+LLS	29,600	13.0	11.6	875	0.069
036K	B5B(M,V)-048(A,K)-C+TDR+LLS	35,800	13.0	11.3	1,080	0.075
042K	B5B(M,V)-048(A,K)-C+TDR+LLS	39,500	13.0	11.8	1,250	0.078
048K	B5B(M,V)-060(A,K)-C+TDR+LLS	47,500	13.0	11.7	1,400	0.089
060K	B5B(M,V)-060(A,K)-C+TDR+LLS	57,000	13.0	11.2	1,600	0.099

(1) Orifice supplied with outdoor unit.

See current ARI Directory for certified combinations and ratings.

We Encourage Professionalism



Through Technician Certification by NATE



188C-0206

