
TECHNICAL SPECIFICATIONS



O4 Series Oil Furnaces

Models

O4LD-098A-12-R (Compact)

O4LD-140A-16-R O4LD-168A-16-R

O4LD-140A-16-F O4LD-168A-16-F

O4HD-091A-12-F O4HD-140A-16-FA

O4MD-091A-12-FA O4MD-140A-16-FA

The O4 Series Oil Furnace combines time proven design in the Classic Low Boy, High Boy, and Downflow configurations. The High Boy and Downflow models can be configured for horizontal applications. The units are multi-fired for a wide range of outputs (.50 to 1.20 G.P.H. depending on model). Classic design, versatility and reliability are important attributes that oil heat professionals have come to rely upon.



Low Boy

High Boy/Horizontal

FEATURES and BENEFITS

- **Warranty** – 5 years on parts and a limited lifetime heat exchanger warranty.
- **Cabinet Construction** – 22 gauge steel cabinet ensures strength and quiet operation.
- **Finish** – Thermoset powder coat for greater durability.
- **Firing Rates** – Multi-firing rates for a wide range of applications.
- **Burner** – Equipped with industry leading Beckett burner which includes cleancut pump, PSC motor, and solid state controls. Factory pre-wired, pre-assembled and tested. Ready to connect to fuel supply line.
- **Barometric Draft Control** – Included with all models.
- **Heat Exchanger** – Proven heat exchanger design featuring 100% welded construction for maximum performance. Large, accessible heat exchanger clean-out ports.
- **Radiator** – “Wrap-around” type for maximum heat transfer.
- **Blower** – Permanently lubricated, direct drive blower.
- **Blower Motor** – Thermally protected four-speed motor is designed for heavy-duty continuous operation.
- **Blower Assembly** – Entire unit with motor can be easily removed for servicing.



*Downflow/Horizontal
shown with optional front vestibule*

- **Filters Included in all Models** – Filter and rack built in on O4LD models. Filter and rack packaged with O4HD and O4MD models.
- **Insulation** – Spun glass and aluminum foil for “hand cool” cabinet.
- **Access Door** – Easily removed for access to burner and controls. Completely enclosed controls and burner in most units.
- **A.F.U.E.** Ratings up to 84%.
- **Flue** – Low Boy models are available with front or rear flue. Compact model is rear only.
- **Air Conditioning** – Pre-wired fan center relay is standard.

Note: All oil fired furnaces manufactured after May 1, 2005 for sale in Canada require additional safety devices that will shut down the Oil Burner if the Flue Vent becomes blocked. (See Replacement Parts List for Part Numbers).

Low Boy Front & Rear Flue Outlet

O4LD-098A-12-R (Compact)

O4LD-140A-16-R

O4LD-140A-16-F

O4LD-168A-16-R

O4LD-168A-16-F

Caution - All oil furnaces require proper set-up and installation by a certified oil heat technician.

SYSTEM SPECIFICATIONS:

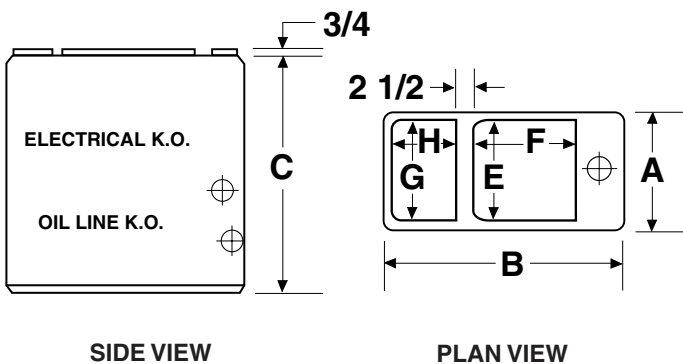
Model Number O4LD-	Output BTUH	AFUE	Blower Performance CFM @ 0.5" w.c.	Flow Rate G.P.H.	Angle of Spray	Filter Size	Ship Wt.
098A-12-R	60,000	84.0	644, 944, 1090, 1117	0.50	70° W	20 x 20	240
	75,000	82.3		0.65	70° W		
	82,000(1)	81.5		0.70	70° W		
140A-16-(F,R)	79,000	82.7	665, 1065, 1445, 1585	0.65	80° A	20 x25	290
	90,000	84.1		0.75	80° A		
	101,000	83.1		0.85	80° A		
	117,000(1)	83.4		1.00	80° A		
168A-16-(F,R)	130,000	80.0	665, 1065, 1445, 1585	1.10	70° A	20 x25	290
	143,000(1)	83.5		1.20	60° A		

(1) Factory Setting

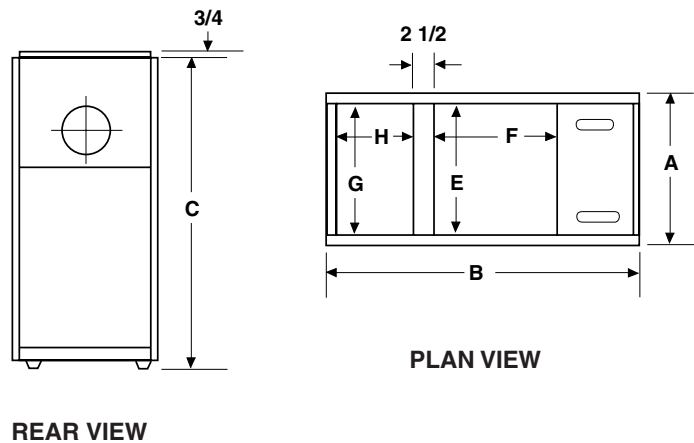
DIMENSIONS:

Model Number O4LD-	Cabinet Size			Supply Plenum		Return Plenum		Diameter of Flue Pipe
	Width A	Depth B	Height C	Width E	Depth F	Width G	Depth H	
098A-12-R	22	51 1/2	32	20 1/2	18 5/8	20 1/2	18 5/8	5
140A-16-(F,R)	22	51 1/2	41	20 1/2	18 5/8	20 1/2	18 5/8	6
168A-16-(F,R)	22	51 1/2	41	20 1/2	18 5/8	20 1/2	18 5/8	6

Front Flue



Rear Flue



High Boy/Horizontal

O4HD-091A-12-F
O4HD-140A-16-FA

Caution - All oil furnaces require proper set-up and installation by a certified oil heat technician.

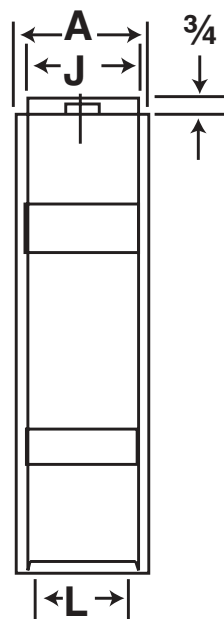
SYSTEM SPECIFICATIONS:

Model Number O4HD-	Output BTUH	AFUE	Blower Performance CFM @ 0.5" w.c.	Flow Rate G.P.H.	Angle of Spray	Filter Size	Ship Wt.
091A-12-F	58,000	83.0	960, 1028, 1074, 1091	0.50	80° A	16 x 25	250
	73,000(1)	81.0		0.65	80° A		
	79,000	80.5		0.70	80° A		
140A-16-FA	90,000	82.0	1305, 1432, 1586, 1663	0.75	80° A	16 x 25	270
	100,000	81.0		0.85	80° A		
	118,000(1)	80.0		1.00	80° A		

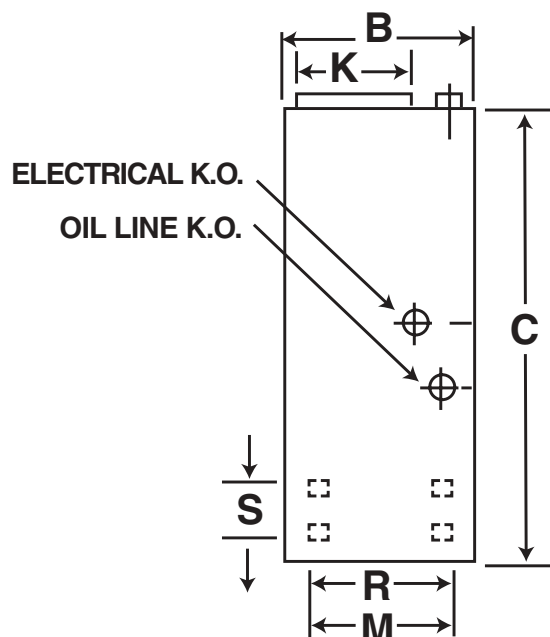
(1) Factory setting

DIMENSIONS:

Model Number O4HD-	Cabinet Size			Supply Plenum		Bottom Return		Side Return Air K.O.		Diameter of Flue Pipe
	Width A	Depth B	Height C	Width J	Depth K	Width L	Depth M	Width R	Depth S	
091A-12-F	22	31	49 5/8	20 1/2	20	14	22	22	14	5
140A-16-FA	22	31	58	20 1/2	20	14	22	22	14	6



FRONT VIEW



SIDE VIEW

Downflow/Horizontal

O4MD-091A-12-FA
O4MD-140A-16-FA

Caution - All oil furnaces require proper set-up and installation by a certified oil heat technician.

SYSTEM SPECIFICATIONS:

Model Number O4MD-	Output BTUH	AFUE	Blower Performance CFM @ 0.5" w.c.	Flow Rate G.P.H.	Nozzle Type	Filter Size	Ship Wt.
091A-12-FA Optional Vestibule Kit Available	58,000	83.2	763, 1063, 1220, 1291	0.50	80° A	20 x20	263
	75,000(1)	82.4		0.65	80° A		
	85,600	81.5		0.75	80° A		
140A-16-FA No Vestibule Kit Available	85,500	81.5	1365, 1466, 1544, 1659	0.75	80° A	20 x20	320
	96,000	80.7		0.85	80° A		
	112,000(1)	80.1		1.00	60° A		
	123,000(2)	80.0		1.10	70° A		

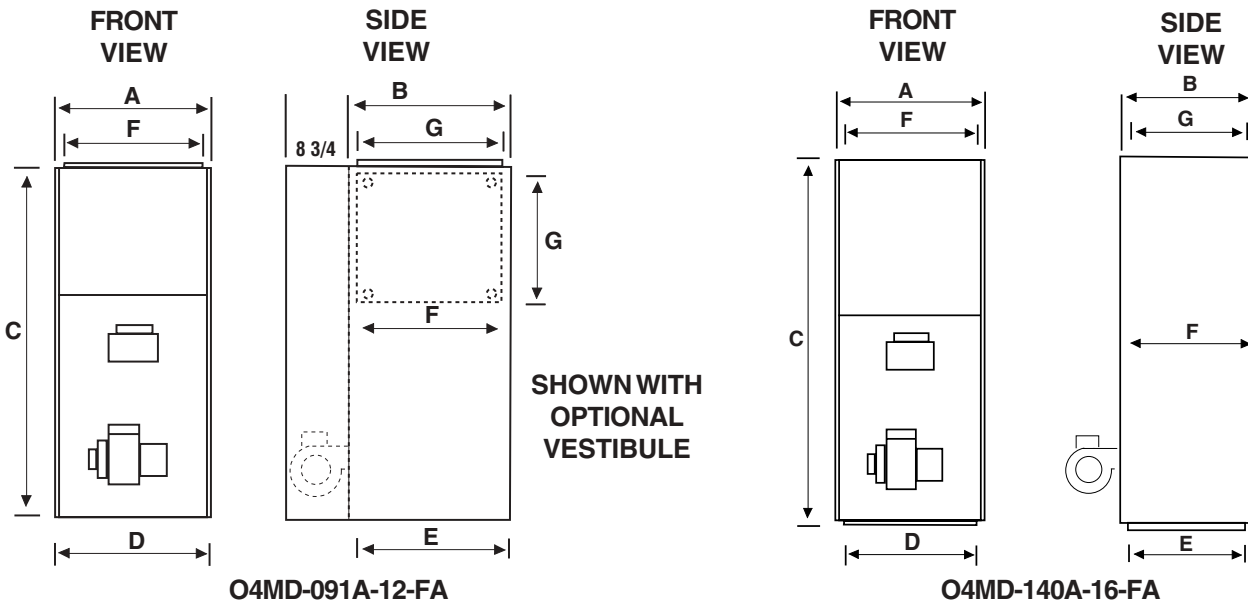
DIMENSIONS:

Model Number O4MD-	Cabinet Size			Supply Plenum		Return Plenum		Diameter of Flue Pipe
	Width	Depth	Height	Width	Depth	Width	Depth	
	A	B	C	D	E	F	G	
091A-12-FA	22	22-1/8 (4)	55 1/4	19	19	18	18	5
140A-16-FA	22-1/4	22-1/4	62	20 1/2	20 1/2	18	18	6

- (1) Factory setting
- (2) Conversion kit for 123,000 Btuh output use #546012
- (3) Front Vestibule add 8 3/4"

ACCESSORIES:

O4MD-091 non-combustible floor base Part # 546011
 O4MD-140 non-combustible floor base Part # 546010
 O4MD-091 Front Vestibule Kit Part # 546014A
 (for sku 544106A)



O'Fallon, MO

NORDYNE



We Encourage Professionalism

 Through Technician Certification by NATE

159B-0505 (Replaces 159B-0305)

Before purchasing appliance, read important energy cost and efficiency information available from your retailer. Specifications and illustrations subject to change without notice and without incurring obligations. Printed in U.S.A. (05/05)