
TECHNICAL SPECIFICATIONS

Whole-House Duct Mount HEPA Air Cleaner

The NORDYNE Whole Home Duct Mount Air Cleaner offers the homeowner the ultimate in IAQ comfort. This tightly-sealed, 3-stage filtration system is unmatched by any competitor. The first stage is a high efficient MERV 8 prefilter, which removes lint and larger particles before they enter the HEPA filter. Stage two is an activated carbon prefilter, which removes odors to extend the life of the HEPA filter. The third stage is the long-life, True HEPA media filter. The True HEPA filter is 99.97% efficient at removing particles down to 0.3 micron. The Duct Mount HEPA system delivers 320 CFM of pure air, without adding static pressure to the HVAC System. The unit can be duct mounted, collar mounted or used freestanding. The NORDYNE Whole Home Duct Mount HEPA carries a system warranty if sold with a matched NORDYNE system.

STANDARD FEATURES

- 3 Stage HEPA filtration.
- 99.97% efficient down to .3 micron.
- Long-life True HEPA filter.
- Duct or collar mounted, or free-standing installation.
- Delivers 320 CFM of pure air.
- One piece wrap, steel cabinet.
- Powder-coat paint finish for rigid installation and durability.
- Plug-in power cord.
- Standard Warranty: 5 years, parts only.
- System warranty if sold with a matched NORDYNE system.



DIMENSIONS

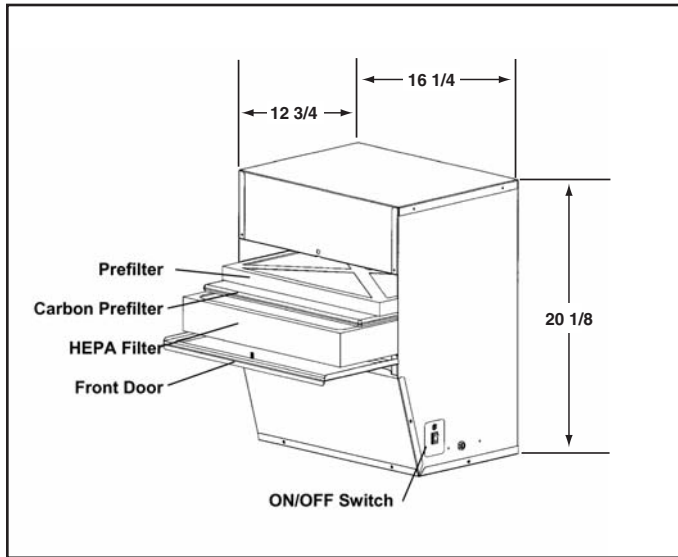


Figure 1. Whole Home Duct Mount HEPA

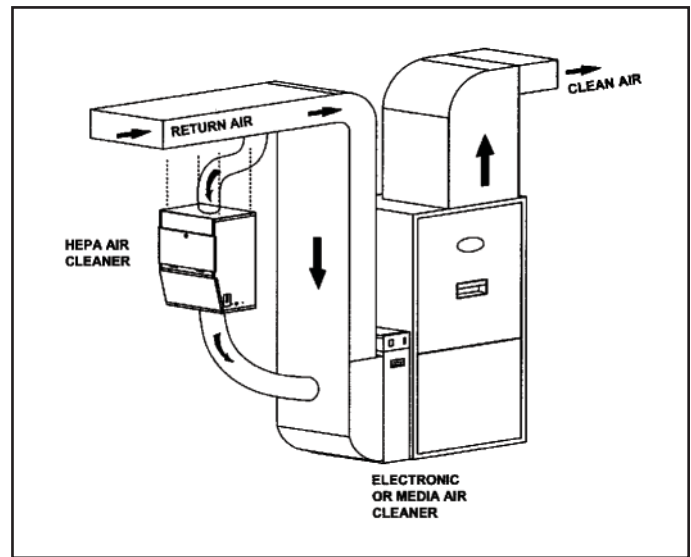


Figure 2. Duct Mount Installation

SPECIFICATIONS

Model	N-HEPA DM400	
Air Flow	320 CFM	544 m ³ /hr
Whole House Air Changes Per Day 1500 sq ft home 2000 sq ft home	39 Air Changes/Day 29 Air Changes/Day	
Prefilter: Removes lint and large particles	Replace every 3-6 months	
Carbon Prefilter: Removes odors	Replace every 3-6 months	
True HEPA Media Filter: 99.97% efficient on 0.3 micron	40 ft ² Replace every 2-3 years	3.7 m ² Replace every 2-3 years
Cabinet Dimensions	Height Width Depth	51.1 cm 41.3 cm 32.4 cm
Intake Duct Fitting	14.5 x 3.75 in or 8 in (dia)	36.8 x 9.5 cm or 20.3 cm (dia)
Outflow Duct Fitting	14.5 x 4.37 in or 8 in (dia)	36.8 x 11.1 cm or 20.3 cm (dia)
Input Voltage	120 V 60 Hz	
Power Consumption	125 Watts	
Power Cord	9.0 ft	2.74 m
Cabinet	22 gauge	
Unit Weight	38 lbs	17.2 kg

Replacement Media	Part Number
True HEPA filter	919011
Prefilter: Merv 8	919012
Carbon Prefilter	919013