
TECHNICAL SPECIFICATIONS



GL1RA Series

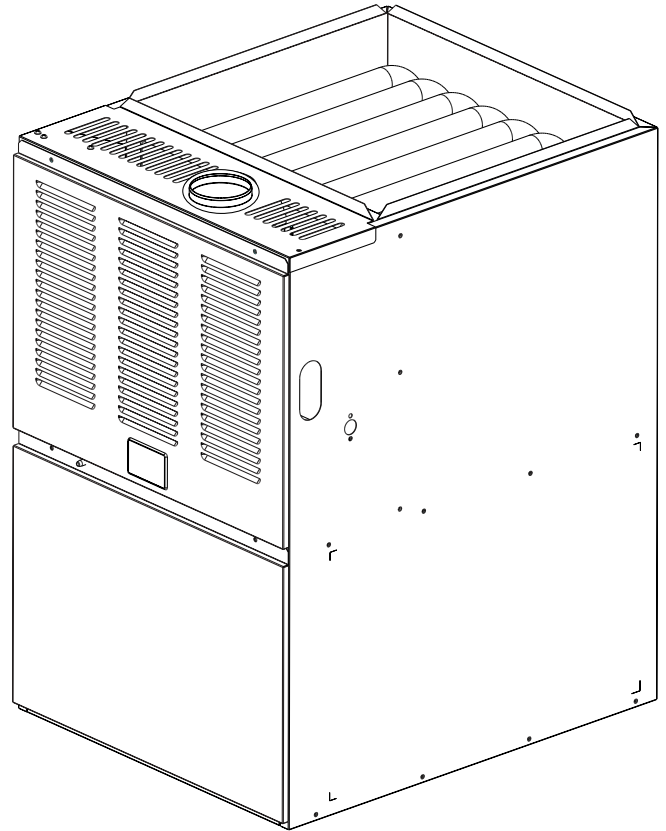
Upflow/Horizontal Gas Furnace

Induced Draft - 80+ AFUE
Input 45,000 - 126,000 Btuh

The upflow/horizontal gas furnace may be installed free standing in a utility room, basement, or enclosed in an alcove or closet. The extended flush jacket provides a pleasing "appliance appearance".

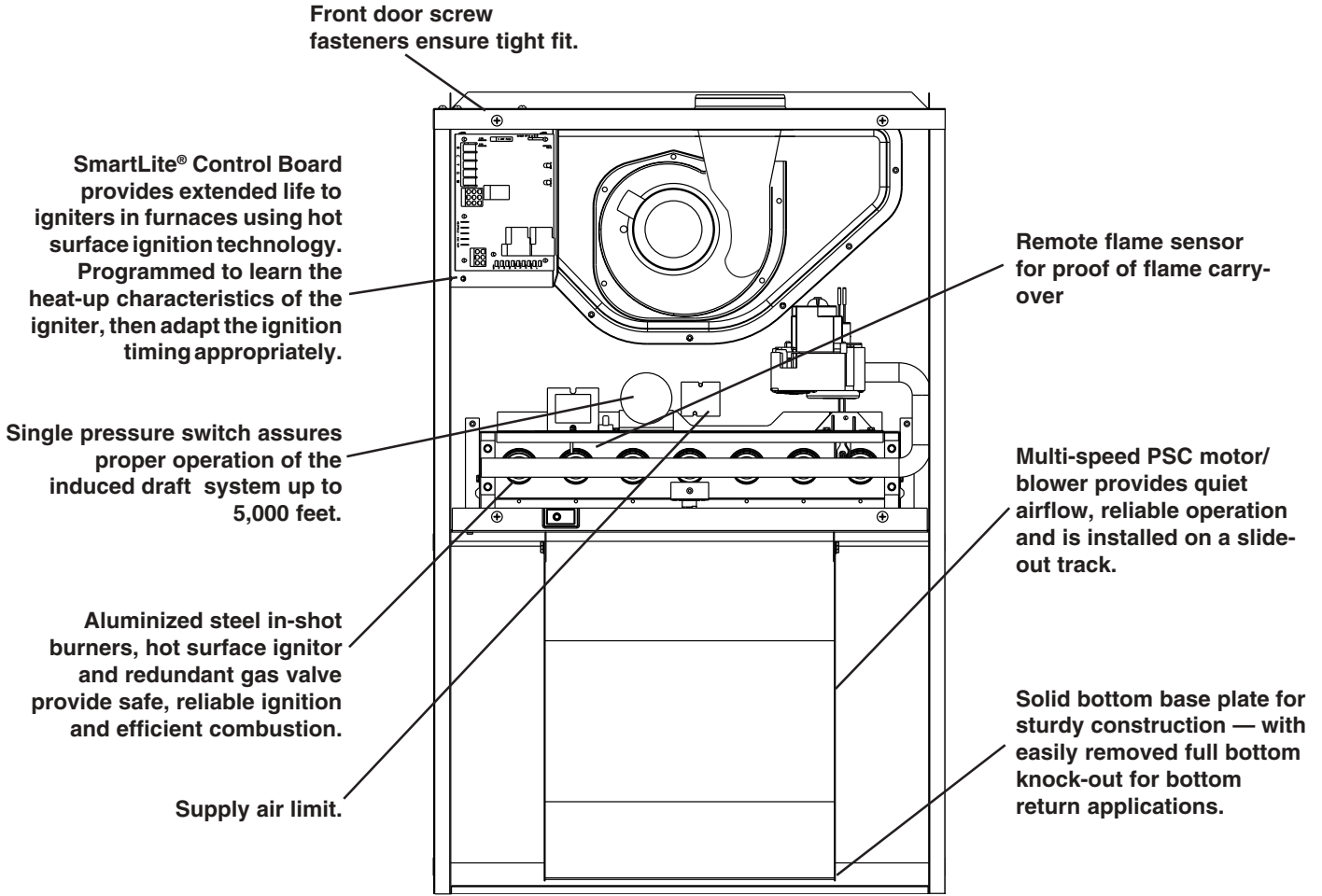
FEATURES and BENEFITS

- **Best warranty in the business** —
 - A full 20 years on the heat exchanger
 - 5 years on all parts
- **100% fired and tested** — All units and each component (both mechanical and electrical) are tested on the manufacturing line.
- **Best packaging in the industry** — Unique design assures product will arrive to the homeowner dent free.
- **Clean and quiet operation** — Due to the design of in-shot burners, location of inducer and return air vents.
- **Fixed 30 second blower delay** at burner start-up assures a warm duct temperature at furnace start-up. Adjustable blower off settings (60, 90, 120 and 180 seconds).
- **Fixed 30 second post purge** increases life of heat exchanger.
- **Dependable, hot surface igniter** — Innovative application of an appliance type ignitor with a 20 year history of reliability.
- **Color coded wire harness** — Designed to fit the components, all with quick-connect fittings for ease of service and replacement.
- **Approved for category I venting system** — May be common or dedicated vented for flexibility in installation.
- **Tubular primary heat exchanger** — Aluminized steel heat exchanger assures a long life.
- **90 second fixed cooling cycle blower-off delay (TDR)** increases cooling performance when matched with a NORDYNE coil.
- **Furnace is easy to handle** — short and lightweight.
- **Multi-speed direct drive blower** — Designed to give a wide range of cooling capacities. 40VA transformer included.
- **LP convertible** — Simple burner orifice and regulator spring change for ease of convertibility.
- **Diagnostic lights flash to identify limit failure, pressure switch failure, improper ground and polarization, and low flame signal** — for easy troubleshooting.
- **SmartLite® Control Board provides extended life to igniters** programmed to learn the heat-up characteristics of the igniter so the ignition timing is energized appropriately.
- **Two piece door design** enhances furnace appearance and uses screw fasteners for easier accessibility.
- **3 amp fuse** protection against low voltage shorts; protects transformer and control board.
- **Low voltage terminal board** for easy field wiring.



FEATURES

Upflow/Horizontal
80+ Gas Furnace



STANDARD EQUIPMENT

Draft inducer; pressure switch; redundant main gas control; hot-surface ignition; timed ON/OFF blower controls (TDR) ; 40VA transformer for air conditioner application; limit controls; solid base plate with knock-out for easy removal; direct drive motor; all models can be converted to use L.P. (propane) gas. Factory approved kits *only* must be used and are available as an optional accessory from your distributor.

SPECIFICATIONS

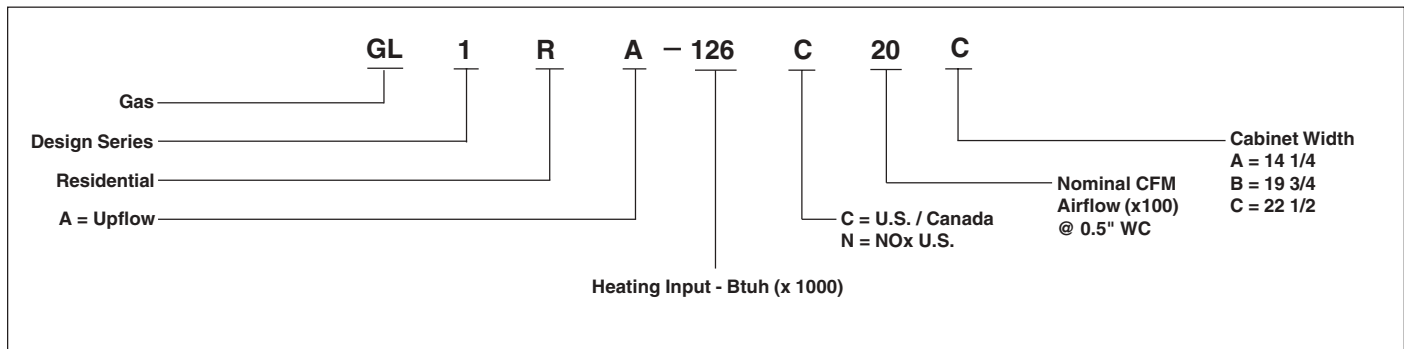
GL1RA MODEL NUMBERS	045(*)08A	054(*)12A	072(*)12A	072(*)12B	072(*)16B	090(*)12B	090(*)16B	090N20B	108(*)16B	108N20B	108(*)20C	126(*)20C
Input-Btuh (a)	45,000	54,000	72,000	72,000	72,000	90,000	90,000	90,000	108,000	108,000	108,000	126,000
Heating Capacity - Btuh	36,000	43,000	58,000	58,000	58,000	72,000	72,000	72,000	86,000	86,000	86,000	101,000
AFUE	80+	80+	80+	80+	80+	80+	80+	80+	80+	80+	80+	80+
Max. Htg. Ext. St. Press. In W.C.	.5	.5	.5	.5	.5	.5	.5	.5	.5	.5	.5	.5
Blower Wheel D x W	10 x 6	10 x 6	10 x 6	9 x 9	10 x 10	9 x 9	10 x 10	11 x 10	11 x 10	11 x 10	11 x 10	11 x 10
Motor H.P. -Speed -Type	1/5-2-PSC	1/3-3-PSC	1/3-3-PSC	1/4-3-PSC	1/2-4-PSC	1/4-3-PSC	1/2-4-PSC	3/4-4-PSC	1/2-4-PSC	3/4-4-PSC	3/4-4-PSC	3/4-4-PSC
Motor FLA	4.0	6.0	6.0	6.0	8.8	6.0	8.8	10.1	8.8	10.1	10.1	10.1
Temperature Rise Range - °F	40 - 70	40 - 70	40 - 70	40 - 70	40 - 70	40 - 70	40 - 70	40 - 70	40 - 70	40 - 70	40 - 70	40 - 70

*Can be C or N.

All models are 115 V, 60 Hz. Gas connections are 1/2" N.P.T.
AFUE = Annual Fuel Utilization Efficiency.

(a) Ratings to 2,000 feet. Over 2,000 feet, reduce 4% for each 1,000 ft. above sea level.

MODEL IDENTIFICATION CODE



High Efficiency with Honeywell VR Gas Valve		Order Number
Kit		
U.S. LP Conversion Kit (0 to 10,000 ft.)		904090A
Canadian LP Gas Conversion Kit (0 to 4,500 ft.)		904091A
Fossil Fuel Kit		914762
External Side Return Filter Frame		541036
Bottom Return Filter 20/Box	A Cabinet	903088
	B Cabinet	903089
	C Cabinet	903090
Internal Side Return Filter Retainers 10/Box		903152
High Altitude Pressure Switch Kit (5,001 to 10,000 ft.)		903853

VENTING

All models may be common vented with a gas water heater. Type B gas vent materials may be used when connected to a vertical vent system. The installation must be in accordance with the venting instructions supplied with the furnace.

