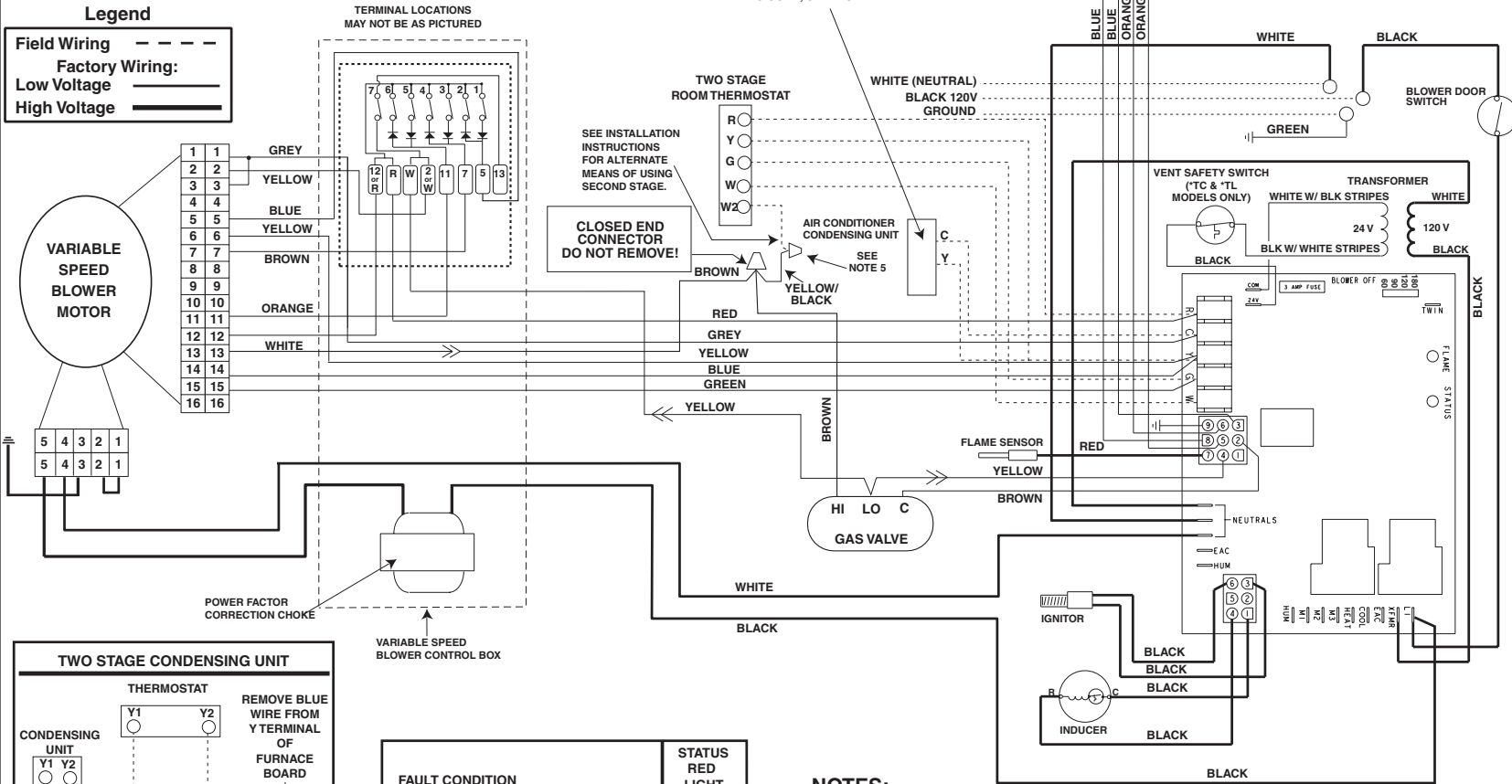


# WIRING DIAGRAM

## For 80+ and 90+ 2-Stage Variable Speed Model Furnaces



FAULT CONDITION	STATUS RED LIGHT	FLAME YELLOW LIGHT
Power On	ON	
Limit Circuit Open or External Load On "W"	1 FLASH	
Pressure Switch is Open with Inducer On	2 FLASHES	
Pressure Switch is Closed with Inducer Off	3 FLASHES	
Ignition Failure (Check Ground)	4 FLASHES	
115 VAC & Neutral Reversed or no Ground	5 FLASHES	
False Flame or Gas Valve Relay Shorted	Continuous	
Power Off	OFF	
Low Flame Sensor Signal		Continuous Flash
Flame Present		ON

**NOTES:**

1. Use copper conductors only.
2. If any of the original wire as supplied with the furnace must be replaced, it must be replaced with wiring material having a temperature rating of at least 105° C.
3. Refer to the Installation Instructions provided with the furnace for the appropriate heating and cooling speed settings for your application.
4. Ensure that wires from the blower remain connected to the board thermostat terminals after making the field thermostat connections.
5. Wiring shown for 2-stage operation when using a multistage thermostat. Warning - Remove Yellow/Black wire from primary gas valve and utilize for wiring furnace for 2-stage operation.



7106230

7106230 (Replaces 710525A)

(07/06)