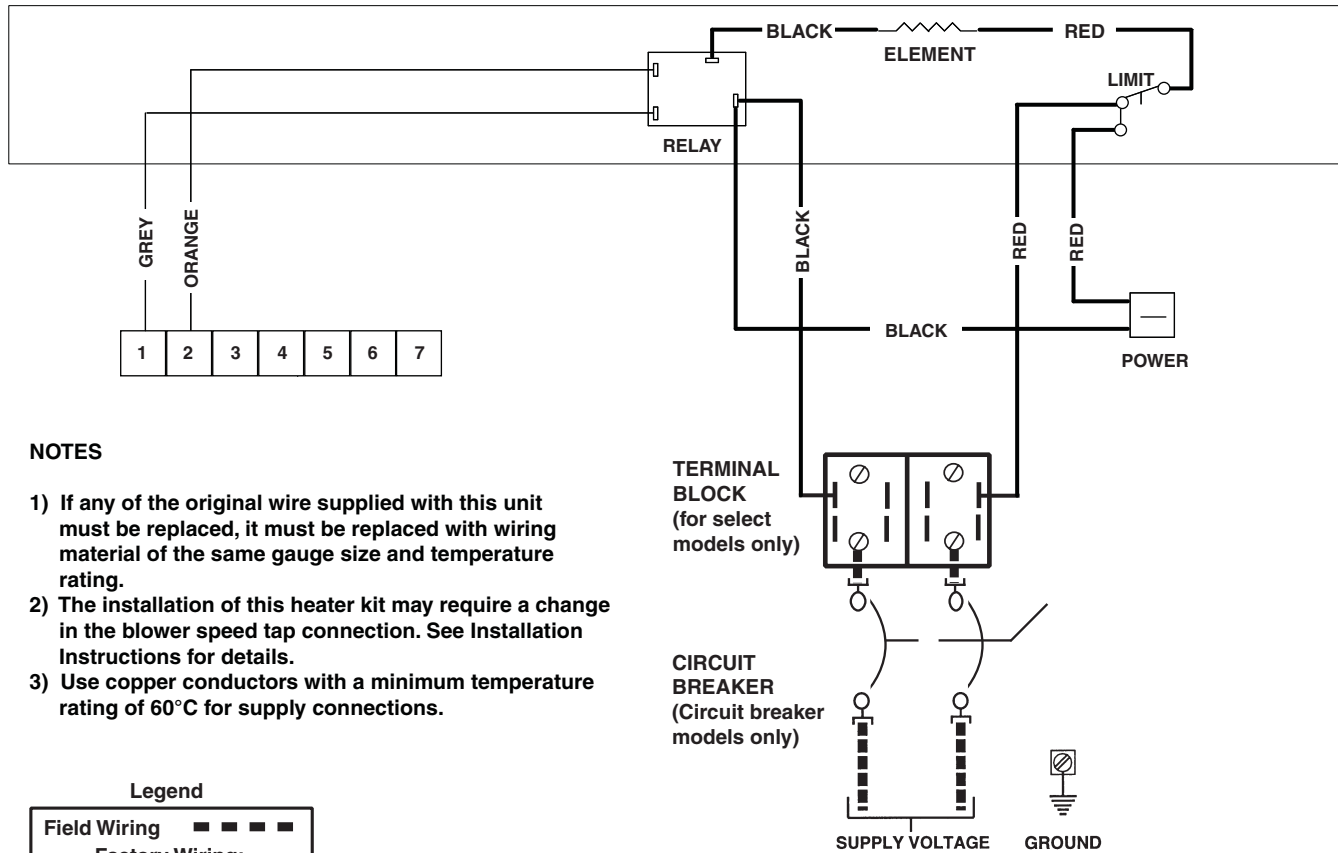


WIRING DIAGRAM

H6HK005H-11 (with circuit breaker)
 H6HK003H-01 (without circuit breaker)
 H6HK005H-01 (without circuit breaker)

3kW, 5kW, 1-Phase Electric Heater Kit



NOTES

- 1) If any of the original wire supplied with this unit must be replaced, it must be replaced with wiring material of the same gauge size and temperature rating.
- 2) The installation of this heater kit may require a change in the blower speed tap connection. See Installation Instructions for details.
- 3) Use copper conductors with a minimum temperature rating of 60°C for supply connections.

Legend

| | |
|-----------------|---------|
| Field Wiring | — — — — |
| Factory Wiring: | |
| Low Voltage | — |
| High Voltage | — |



710560A (Replaces 7105600)