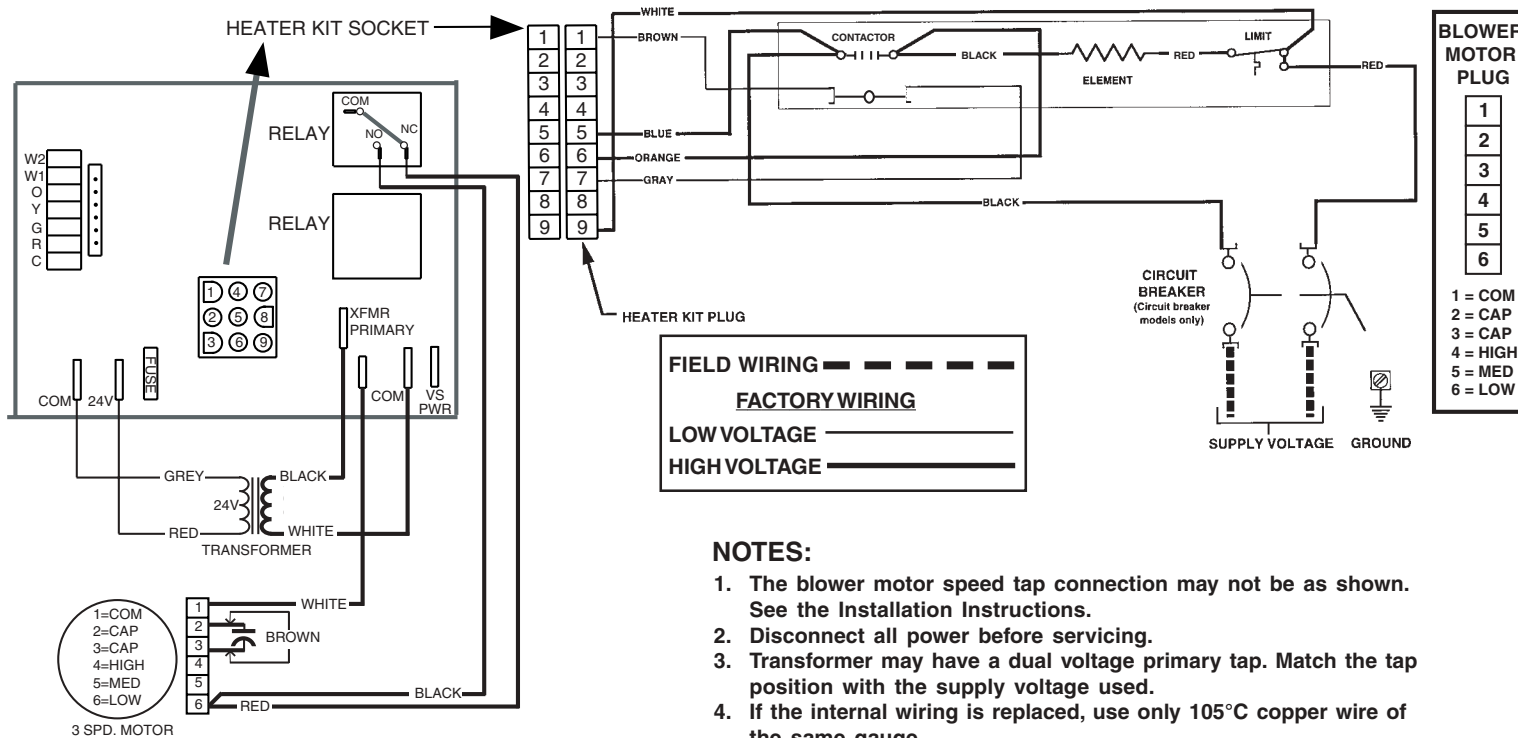


WIRING DIAGRAM

Air Handler with Factory Installed Heat (5 kw)



7104500

7104500