

WIRING DIAGRAM

Convertible Packaged Air Conditioner

208/230 Volt

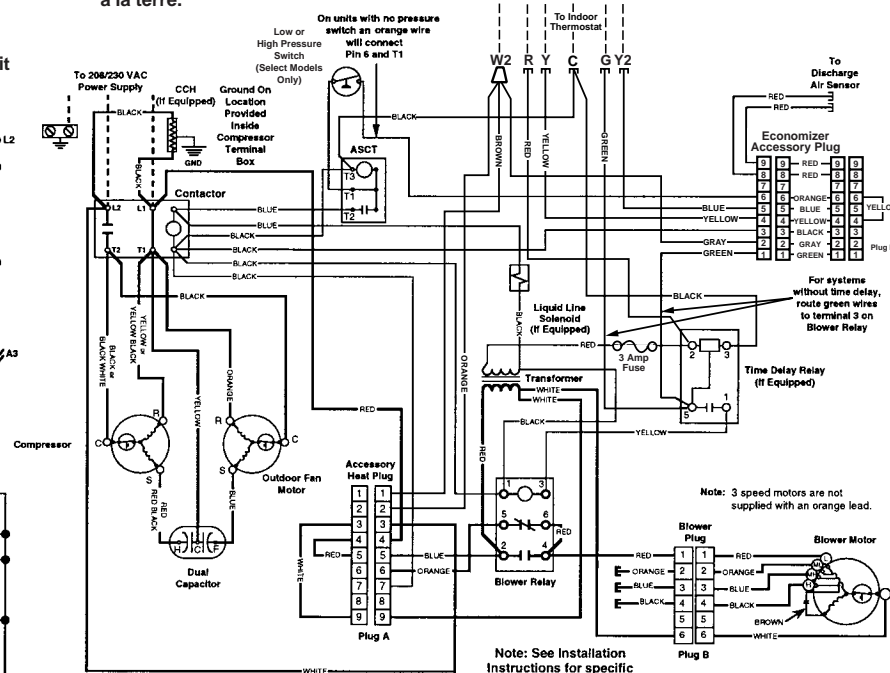
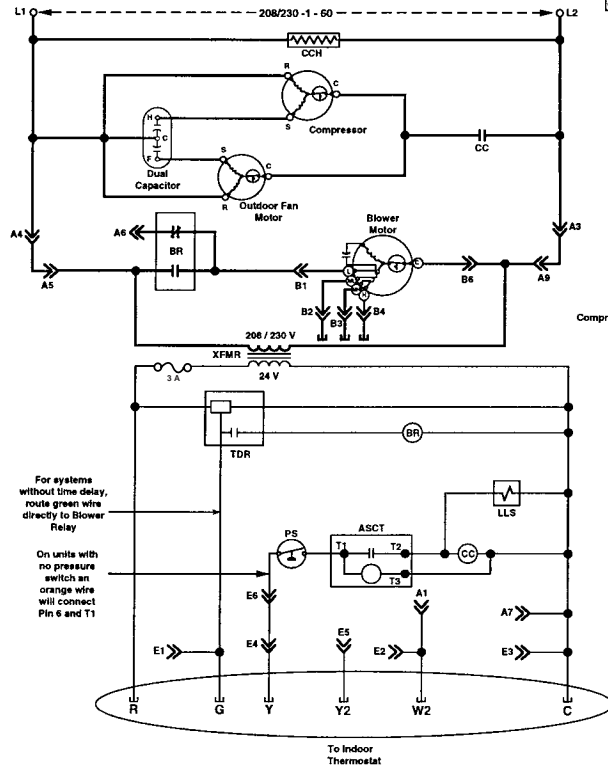
Single Phase

60Hz

NOTES:

1. Disconnect all power before servicing.
2. For supply connections use copper conductors only.
3. Not suitable on systems that exceed 150 V to ground.
4. If any of the original wire as supplied with the furnace must be replaced, it must be replaced with wiring material having a temperature rating of at least 105°C.
5. For supply wire ampacities and overcurrent protection, see unit rating plate.

1. Couper le courant avant de faire letretien.
2. Employez uniquement des conducteurs en cuivre.
3. Ne convient pas aux installations de plus de 150 V a la terre.



ASCT - ANTI SHORT CYCLE TIMER
 BR - BLOWER RELAY
 CC - COMPRESSOR CONTACTOR
 CCH - CRANKCASE HEATER (IF EQUIPPED)
 LLS - LIQUID LINE SOLENOID (IF EQUIPPED)
 TDR - TIME DELAY RELAY (SELECT MODELS)
 PS - PRESSURE SWITCH (SELECT MODELS)
 3A - 3 AMP FUSE

A1 - - INDICATES PLUG CONNECTION
 LETTER INDICATES WHICH PLUG
 1 - 6 INDICATES PIN NUMBER.

| | |
|----------------|-----|
| Field Wiring | --- |
| Factory Wiring | — |
| Low Voltage | — |
| High Voltage | — |

Note: See Installation Instructions for specific blower speed setting; setting shown is not typical for all units.

Note: See Installation Instructions for wiring, application, and information concerning accessory Heat Kits and other options.



710342A (Replaces 7103420)