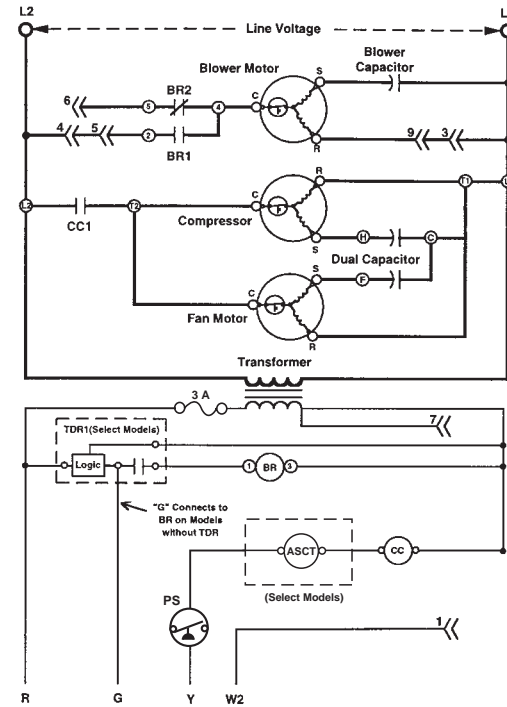
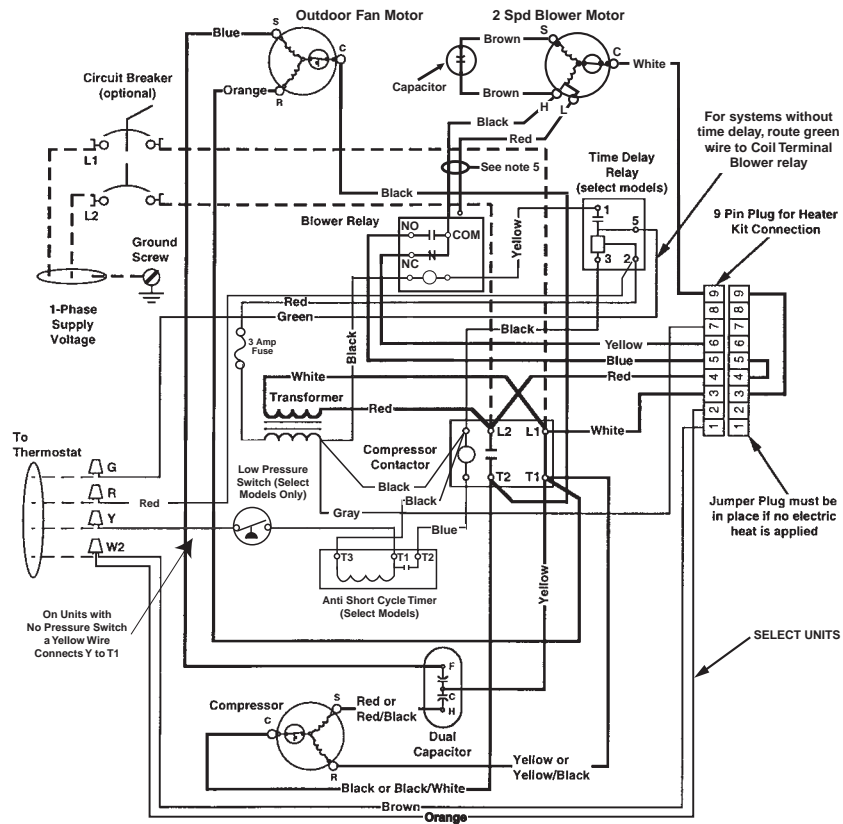


WIRING DIAGRAM

Packaged Air Conditioner - Single Phase

- NOTES:**
1. Disconnect all power before servicing.
 2. For supply connections use copper conductors only.
 3. Not suitable on systems that exceed 150 V to ground.
 4. For replacement wires use conductors suitable for 105° C.
 5. Two-speed motor lead connections: Black - High (default)
Red - Low
1. Couper le courant avant de faire letretien.
 2. Employez uniquement des conducteurs en cuivre
 3. Ne convient pas aux installations de plus de 150 V a la terre.



- PS - Pressure Switch
 - BR - Blower Relay
 - CC - Contactor Coil
 - TDR - Time Delay Relay
 - 3A - 3 Amp Fuse
 - 1 <<> - Indicates plug connection
 - Number indicates pin location
- | | |
|----------------|-----|
| Field Wiring | --- |
| Factory Wiring | — |
| Low Voltage | — |
| High Voltage | — |



710340A (Replaces 7103400)