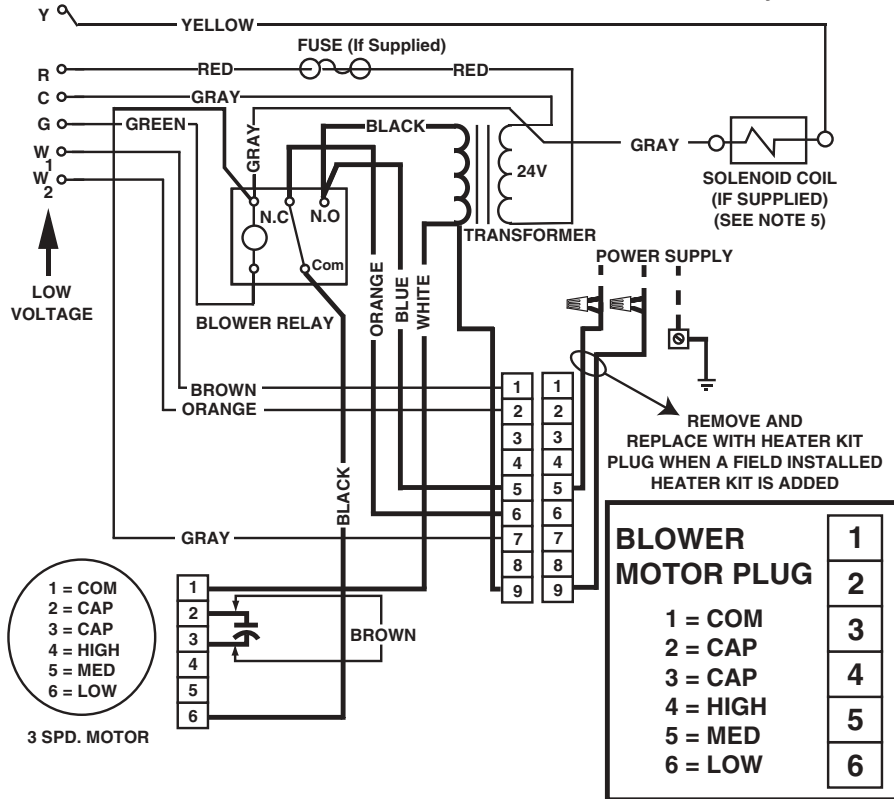


# WIRING DIAGRAM

## Air Handler

### NOTES:

1. The blower motor speed tap connection may not be as shown. See the Installation Instructions.
2. Disconnect all power before servicing.
3. Transformer may have a dual voltage primary tap. Match the tap position with the supply voltage used.
4. If the internal wiring is replaced, use only 105°C copper wire of the same gauge.
5. Solenoid on 066 models only.



710279B

710279B (Replaces 710279A)