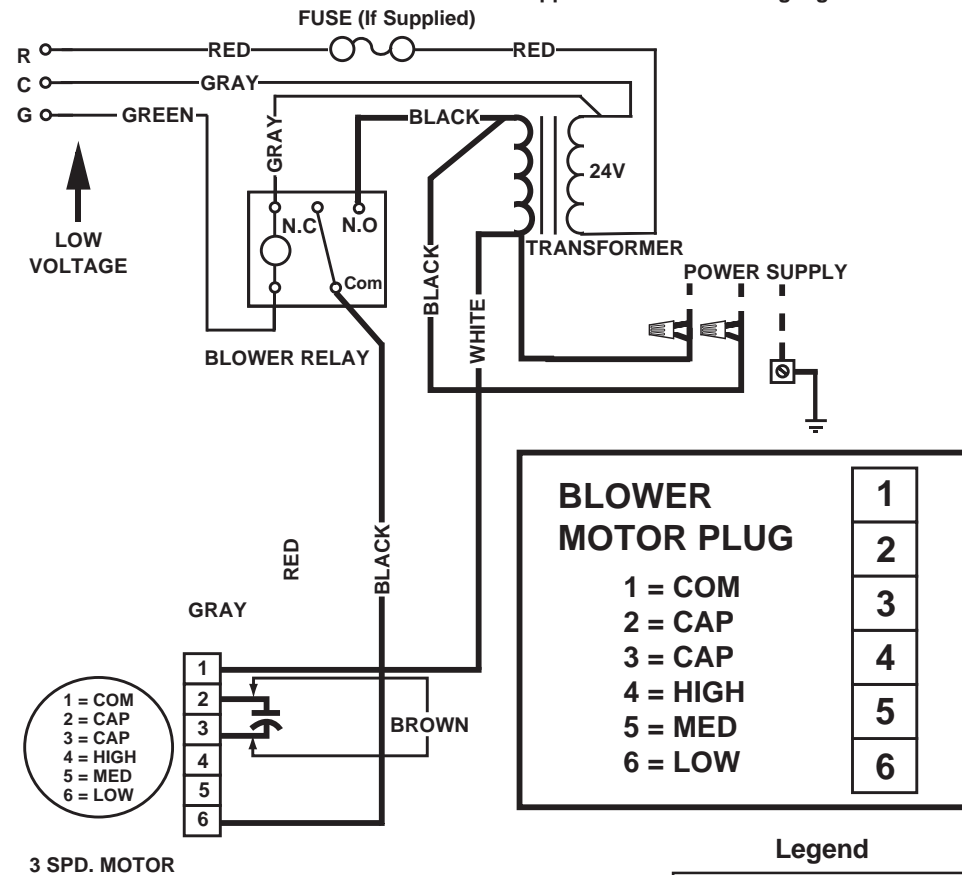


WIRING DIAGRAM

Air Handler

NOTES:

1. The blower motor speed tap connection may not be as shown. See the Installation Instructions.
2. Disconnect all power before servicing.
3. Transformer may have a dual voltage primary tap. Match the tap position with the supply voltage used.
4. If the wiring is replaced, use only 105°C copper wire of the same gauge.



3 SPD. MOTOR

Legend

Field Wiring	- - - - -
Factory Wiring	_____
Low Voltage	_____
High Voltage	_____



7102780