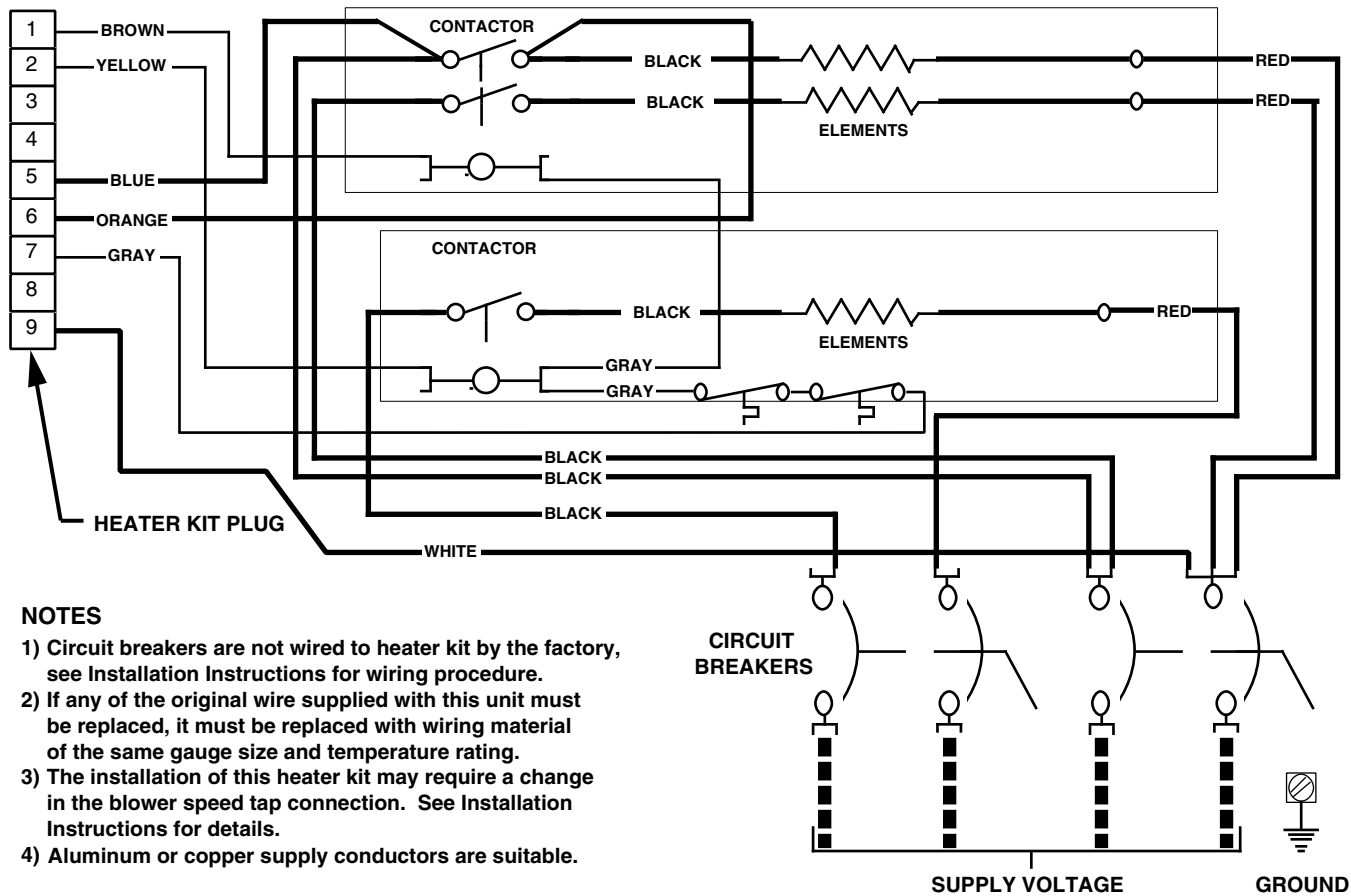


WIRING DIAGRAM

H4HK015H-21A (with circuit breaker) 15 kW, 1-Stage, 240 VAC, 1-Phase Electric Heater Kit
 H3HK015H-01A (without circuit breaker)
 H3HK015H-21A (with circuit breaker)



NOTES

- 1) Circuit breakers are not wired to heater kit by the factory, see Installation Instructions for wiring procedure.
- 2) If any of the original wire supplied with this unit must be replaced, it must be replaced with wiring material of the same gauge size and temperature rating.
- 3) The installation of this heater kit may require a change in the blower speed tap connection. See Installation Instructions for details.
- 4) Aluminum or copper supply conductors are suitable.

FIELD WIRING	■■■■■■■■■■
FACTORY WIRING	—————
LOW VOLTAGE	—————
HIGH VOLTAGE	—————



710210C (Replaces 710210B)