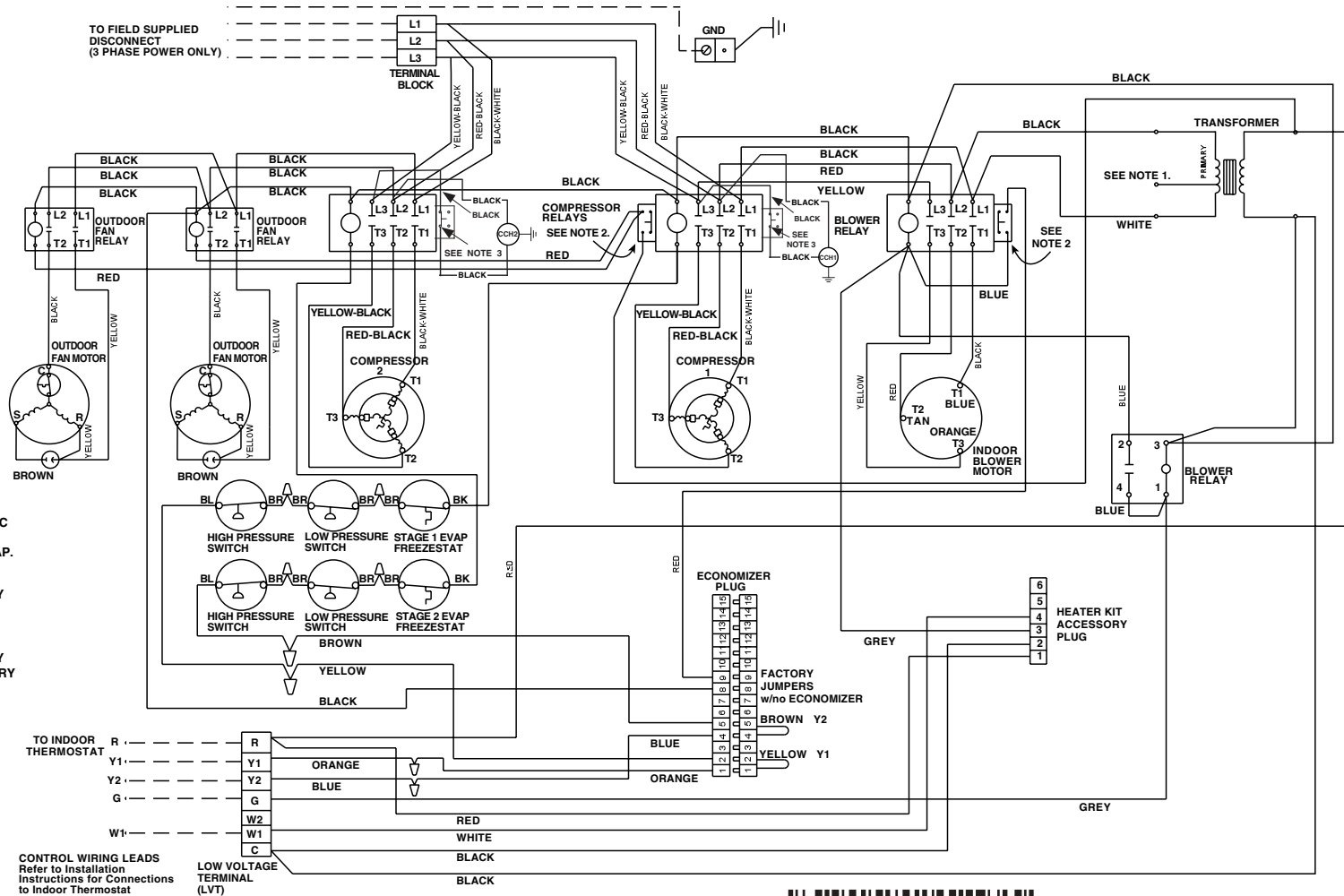


WIRING DIAGRAM

P4 10 Ton Single Packaged Air Conditioner 120* Series



NOTES:

- 1) 120C MODELS ONLY. FOR 208 VAC OPERATION REMOVE WIRE AT 240V TAP AND PLACE ON 208V TAP.
- 2) WIRES ATTACHED TO NORMALLY OPEN CONTACTS OF AUXILIARY SWITCH.
- 3) WIRES ATTACHED TO NORMALLY CLOSED CONTACTS OF AUXILIARY SWITCH.

FIELD WIRING - - - - -
FACTORY WIRING - - - - -



710137A (Replaces 7101370)