

WIRING DIAGRAM

Convertible Packaged Gas Heat/Electric Air Conditioner

460/575 Volt

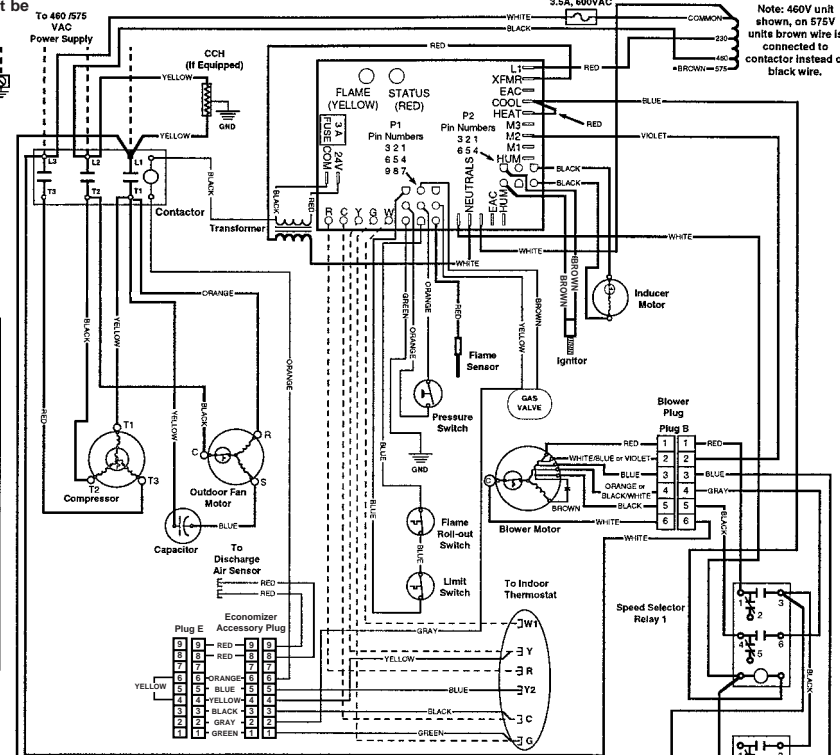
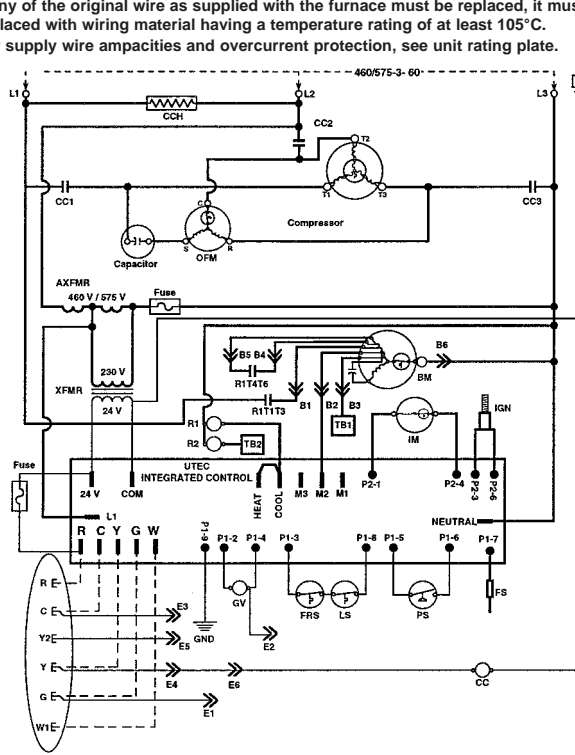
Three Phase

60Hz

NOTES:

1. Disconnect all power before servicing.
2. For supply connections use copper conductors only.
3. If any of the original wire as supplied with the furnace must be replaced, it must be replaced with wiring material having a temperature rating of at least 105°C.
4. For supply wire ampacities and overcurrent protection, see unit rating plate.

1. Couper le courant avant de faire letretien.
2. Employez uniquement des conducteurs en cuivre.



- BM - BLOWER MOTOR
- CC - COMPRESSOR CONTACTOR
- CCH - CRANKCASE HEATER (IF EQUIPPED)
- HTS - HIGH TEMPERATURE SWITCH (IF EQUIPPED)
- OFM - OUTDOOR FAN MOTOR
- SSR - SPEED SELECTOR RELAY
- FS - FLAME SENSOR
- FRS - FLAME ROLLOUT SWITCH
- GV - GAS VALVE
- IGN - INGNITOR
- IM - INDUCER MOTOR
- LS - LIMIT SWITCH
- PS - PRESSURE SWITCH
- XFMR - TRANSFORMER
- AXFMR - AUTOTRANSFORMER

Field Wiring	---
Factory Wiring	—
Low Voltage	—
High Voltage	—

FAULT CONDITION	STATUS LIGHT (RED)
Power On	On
Limit Circuit Open	1 Flash
Pressure Switch Stuck Open with Inducer On	2 Flash
Pressure Switch Stuck Closed with Inducer Off	3 Flash
Ignition Failure (Check Ground)	4 Flash
230 VAC & Neutral Reversed or No Ground	5 Flash
False Flame or Gas Relay Shorted	Continuous Flash
Power Off	Off
FAULT CONDITION	STATUS LIGHT (YELLOW)
Low Flame Sensor Signal	Continuous Flash
Flame Present	On

CONTROL WIRING LEADS
Refer to installation instructions for connections to Indoor Thermostat

Note: See installation instructions for specific blower speed setting; setting shown is not typical for all units.

710023H
(Replaces 710023G)



Autotransformer Note: 460V unit shown, on 575V units brown wire is connected to contactor instead of black wire.