

Light Commercial

Installation Instructions

High Static Blower Drive Kit

12.5 and 15 Ton Light Commercial Package System

GENERAL

These instructions are primarily intended to assist qualified individuals experienced in the proper installation of heating and/or air conditioning appliances. Some local codes require licensed installation/service personnel for this type equipment and their accessories. All installations must be in accordance with these instructions and with all applicable national and local codes and standards.

Packing List:

- (1) Variable Pitch Motor Pulley
- (1) Blower Pulley
- (1) Belt

For 12.5 Ton Model Kits Only:

- (1) 208-230/460-3-60 5 HP Motor
- (1) 3RU1126-4ABO 11-16A Overload Relay
For 230V applications.
- (1) 3RU1926 - 3AA01 Mounting Bracket
For 230V applications.
- (1) 3RU1116 - 1HBO 5.5-8A Overload Relay
For 460V applications.
(Uses existing mounting bracket.)

Before beginning the installation, read these instructions thoroughly and follow all warnings and cautions in the instructions and on the unit.

WARNING!

Improper installation, service, adjustment, or maintenance can cause fire, electrical shock, or other conditions which may result in personal injury or property damage. Unless otherwise noted in these instructions, only factory authorized kits or accessories may be used when modifying this product.

INSTALLATION

1. Set indoor thermostat to “OFF” position.
2. **DISCONNECT ALL ELECTRICAL POWER TO UNIT.**
3. Through Blower/Motor Access Panel slightly loosen the four (4) bolts securing motor to the adjustable mounting base.

NOTICE TO INSTALLER: Belt alignment is extremely critical for proper operation and life expectancy of belts and motor bearings. If not equipped with proper alignment tools, prior to removal of blower and motor pulley measure center of each pulley to a reference point for replacement of new pulleys.

4. Release belt tension by turning adjustment bolt on motor mounting plate. Remove and discard belt.

5. **12.5T Models Only** - Factory motor and pulley combination must be replaced. Loosen motor bolts completely. Remove factory motor assembly. Assemble new motor and pulley combination with pulley located the same distance from motor as factory set up. Secure set screw tightly to shaft key.

15T Models - Loosen motor pulley set screw. Remove and replace new pulley in same location securing set screw tightly to shaft key.

NOTE: Second set screw for adjustable sheave setting may have to be loosened and pulley opened up before pulley will release from shaft. See unit installation instructions for sheave settings. Ensure adjustable portion of motor pulley is oriented towards end of shaft, not motor bearing. Be careful not to install the pulley so far onto the shaft that the key and set screw are not in alignment or on the radius of the keyway.

6. Loosen blower pulley set screw or split taper bushing bolts. Remove and replace pulley securing set screw or split taper bushing tightly to shaft key. Be careful not to install the pulley so far onto the shaft that the key and set screw are not in alignment or on the radius of the keyway.
7. Mount new belt which came with kit and adjust tension. Ensure pulleys are in proper alignment with each other, shafts are parallel, and belt tension is proper. **DO NOT OVER TIGHTEN BELT CAUSING BEARING STRAIN.** As a result the unit could experience vibration and noise problems. A deflection of about $\frac{3}{4}$ " to 1" per foot of span should be obtained by pressing on the belt firmly. **See Figure 1.**
8. Secure all four (4) motor bolts to adjustable mounting base ensuring shafts stay parallel with each other while tightening.
9. **For 12.5T Models Only - Motor Overload Protectors MUST** be replaced in the unit control panel with proper amp settings for application of this equipment.

Unit Model	Relay Model No.	Relay Range	Relay Setting
230V	3RU1126-4ABO (Requires new mounting bracket included in kit)	11 - 16 Amp	14.0 Amp
460V	3RU1116-1HBO	5.5 - 8 Amp	7.0 Amp
10. Restore all electrical power to unit and check for proper operation of equipment.

Motor Pulley – The motor pulley is a variable pitch style pulley which allows blower speed adjustments over a wide range of applications. Refer to unit installation instructions for proper airflow settings.

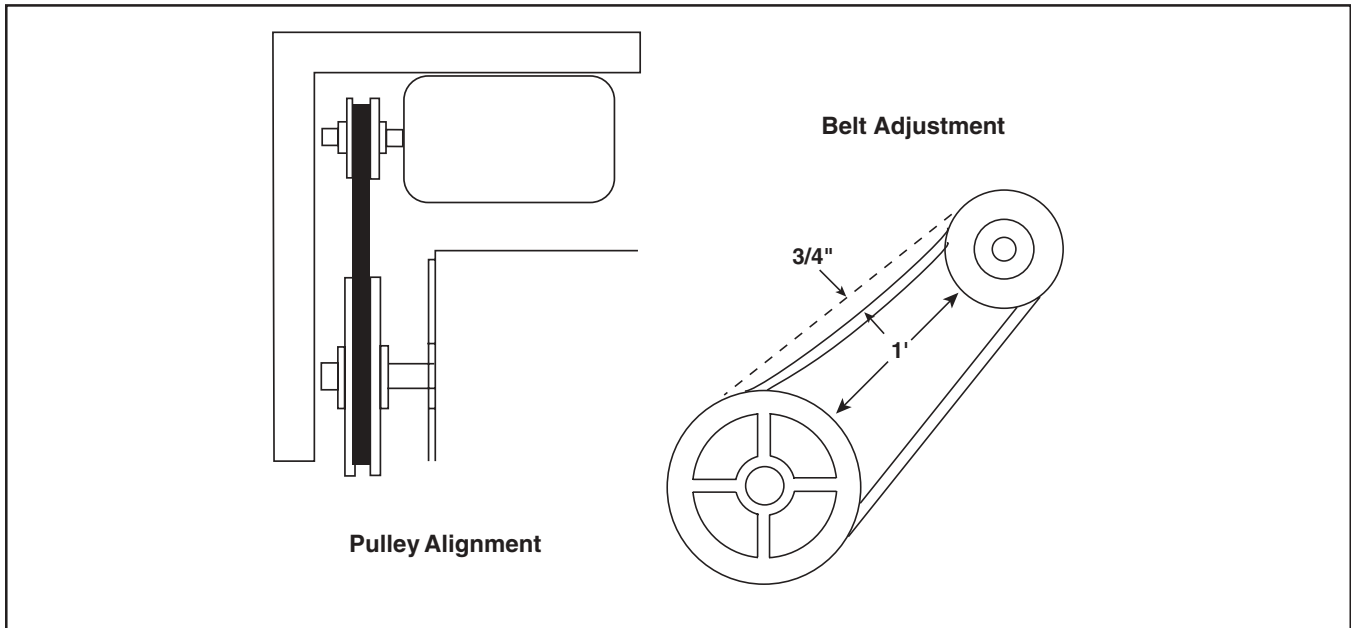


Figure 1. Belt Alignment and Tensioning

Maximum Ampacity and Overcurrent protection ratings may vary. See the unit rating plate for proper electrical ratings.

INSTALLER: PLEASE LEAVE THESE INSTALLATION INSTRUCTIONS WITH THE OWNER

