

# R4GM-150/180 Series

## Installation Instructions

**Thermostatic Expansion Valve Replacement Kit, 12.5 Ton - #918850**

**Thermostatic Expansion Valve Replacement Kit, 15 Ton - #918851**

Read these instructions in their entirety before proceeding with the removal and installation of the Thermostatic Expansion Valve power unit assembly.

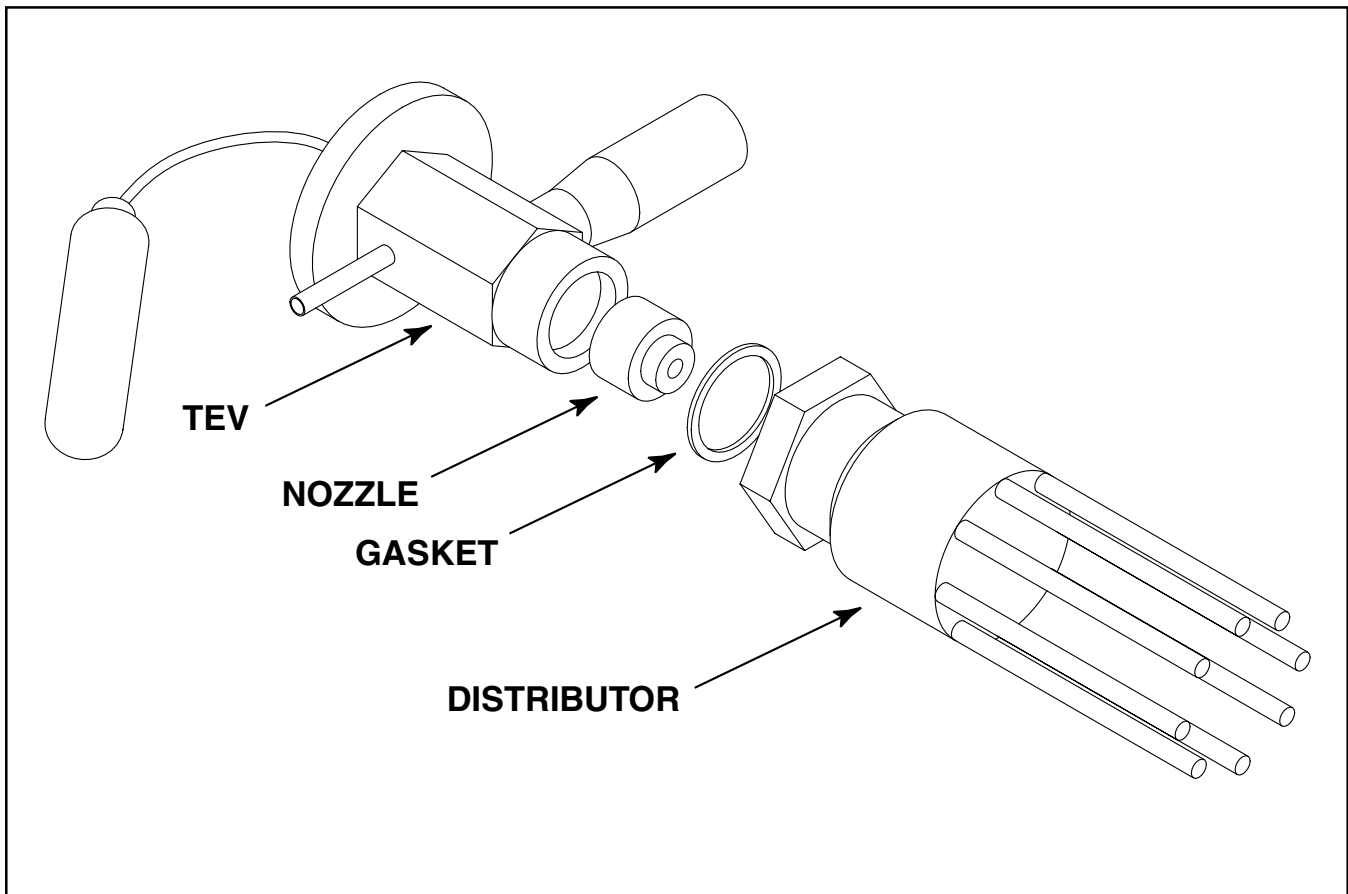


Figure 1. Component Orientation

### **⚠ WARNING:**

**This kit is to be installed by a qualified service technician in accordance with these instructions and all codes having jurisdiction. Failure to follow these instructions could result in serious injury, property damage or death.**

These instructions are primarily intended to assist qualified individuals experienced in the proper installation of this appliance. Some local codes require licensed installation/service personnel for this type of equipment.

### Removal of TEV-

1. Set Indoor Thermostat to "OFF" position.
2. **DISCONNECT ALL ELECTRICAL POWER TO THE UNIT.**
3. **Ensure refrigerant has been properly removed from system circuit being serviced before proceeding.**  
System 1 - Bottom Evaporator Coil Assy.  
System 2 - Top Evaporator Coil Assy.
4. Open Filter Service Door and remove both the Filter and Evaporator Coil Access Panels.
5. Remove the adjacent Blower/HX Tube Access Panel.
6. Remove the TEV power unit from the distributor by loosening the nut at the base of the TEV. Disconnect the equalizer tube and sensing bulb from the suction line. Remove the nozzle and gasket from inside the distributor assembly.

**NOTE: Old gasket and nozzle must be removed from distributor before installing new assembly to ensure proper seal.**

### Installation of TEV-

1. Install new gasket and nozzle into distributor assembly. See Figure 1.
2. Attach TEV to distributor and tighten ensuring a leak free seal. (12-15 Ft-Lbs.)
3. Reconnect liquid line to TEV keeping valve body cool so no damage occurs to assembly.
4. Reconnect equalizer tube and sensing bulb to suction line. Bulb should be located just above horizontal centerline of tube.
5. Pressurize unit with dry nitrogen and check all connections for leaks.
6. Evacuate and recharge system per unit rating plate.
7. Replace Filter and Evaporator Coil Access Panels.
8. Replace Blower/HX Tube Access Panel.
9. Reconnect all power and check unit for proper operation.

**INSTALLER: PLEASE  
LEAVE THESE  
INSTALLATION  
INSTRUCTIONS WITH  
THE OWNER.**

