

R4G*-150/180 Series Accessory

Installation Instructions

Ultraviolet Coil Cleaner Light Mounting Kit

NORDYNE's Ultraviolet Light Mounting Bracket kit is designed for mounting an Ultraviolet Coil Cleaner (NORDYNE P/N-918725) on the Supply Air side of a 12.5 or 15 Ton Packaged Gas/Electric evaporator coil.

Read these instructions and those which accompany the UV Light Kit in their entirety before proceeding with the installation of this light kit.

These instructions are primarily intended to assist qualified individuals experienced in the proper installation of this appliance. Some local codes require licensed installation/service personnel for this type of equipment.

WARNING:

This kit is to be installed by a qualified service technician in accordance with these instructions and all codes having jurisdiction. Failure to follow these instructions could result in serious injury, property damage, or death.

WARNING:

All electrical wiring must comply with the latest edition of the National Electrical Code ANSI/NFPA 70.

Installation

R4G*-150/180 Series

1. Set indoor thermostat to "OFF" position.
2. **DISCONNECT ALL ELECTRICAL POWER TO THE UNIT.**
3. Remove all water tight screws around the full perimeter of the evaporator top pan and set screws aside for later use.
4. Carefully lift and support return air end of top pan approximately 16-18 inches to allow access to supply air side of evaporator coil. See Figure 1. **DO NOT REMOVE OR BEND TOP PAN.**
5. Open the Ultraviolet Light kit. Identify and familiarize yourself with all contents of the kit in its entirety. **WARNING: READ AND FULLY UNDERSTAND ALL INSTRUCTIONS AND WARNINGS WHICH COME WITH THE ULTRAVIOLET LIGHT KIT AND USE IN CONJUNCTION WITH THESE INSTRUCTIONS BEFORE PROCEEDING.**

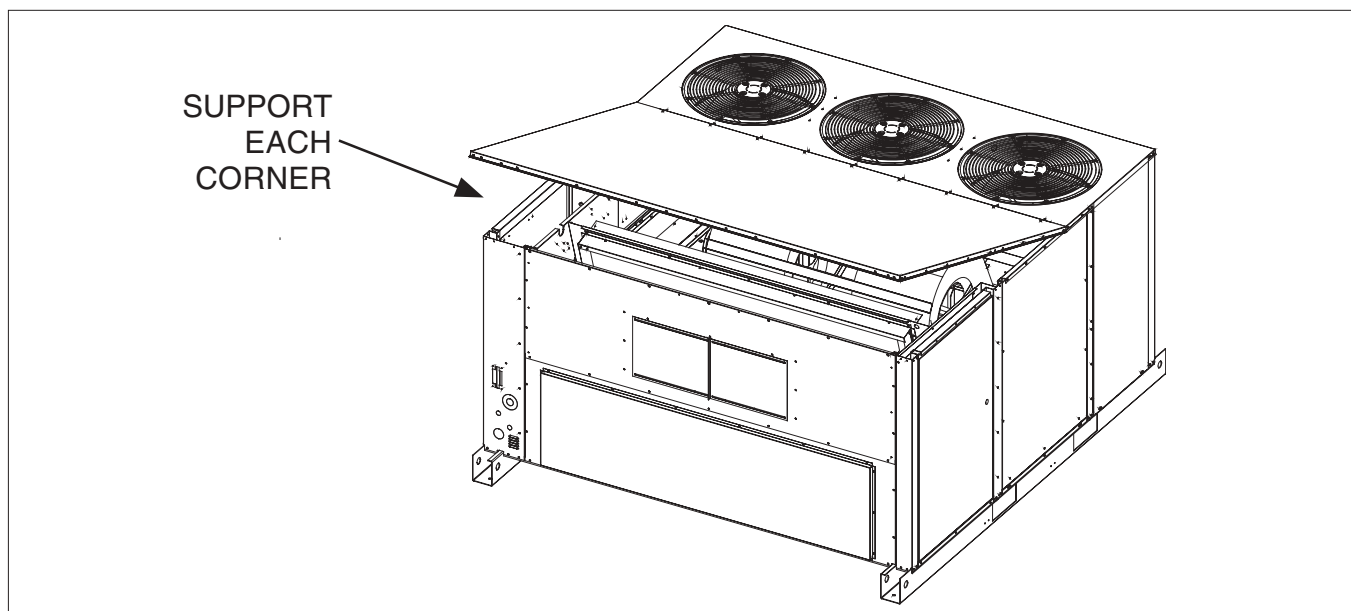


Figure 1

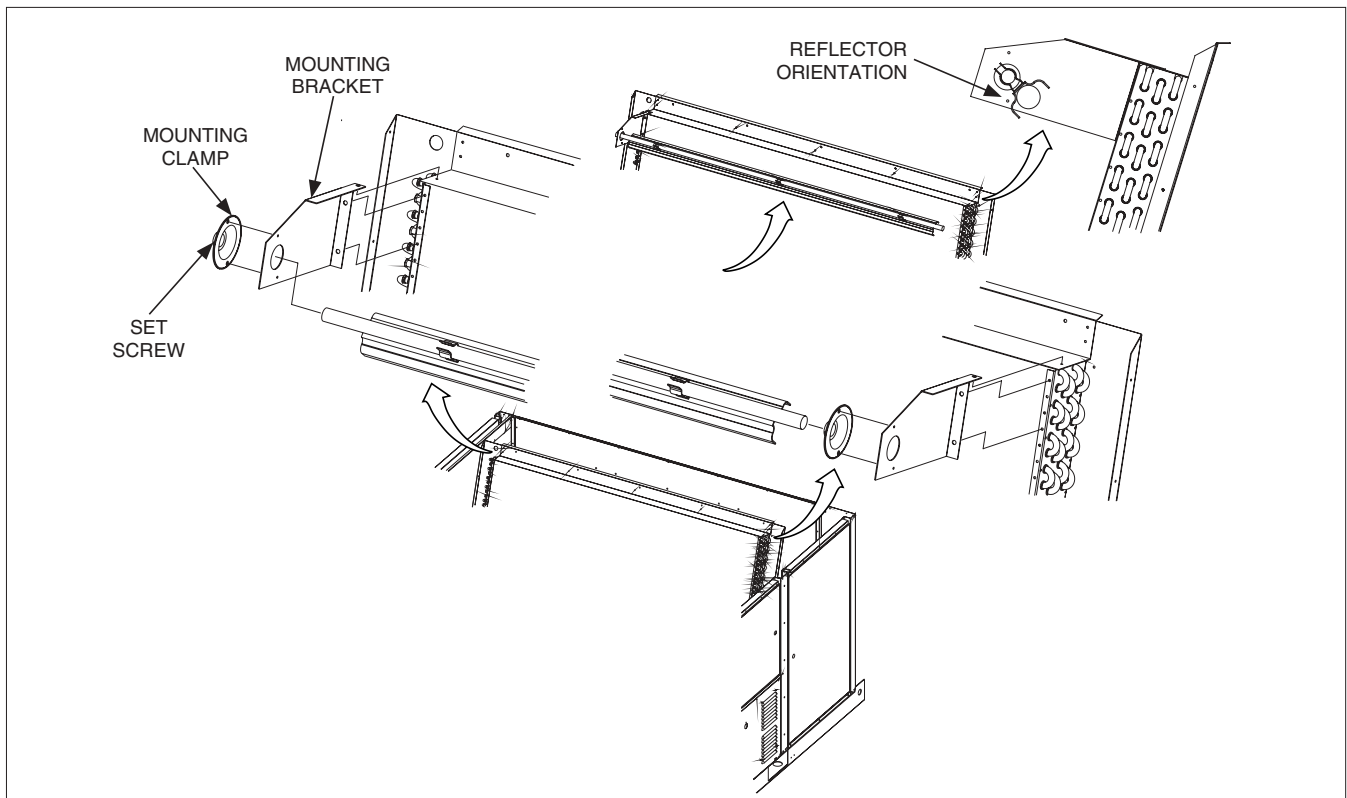


Figure 2

6. Locate pole mounting clamps (2) and attach to light mounting kit brackets with set screws facing front of brackets. See Figure 2.
7. Attach bracket to evaporator coil endplate and top close-off plate using screws provided. Repeat for other side.
8. With Reflector/Shield secured to aluminum pole, slide one end of pole through mounting clamp and then back into clamp on opposite end. Orient reflector at a 45 degree angle, downward from horizontal, with bulb side facing coil and tighten set screws on mounting clamps. See Figure 2.
9. Carefully remove bulb from packaging and insert into Reflector/Shield with power connection facing control panel end of unit. **DO NOT TOUCH LAMP WITHOUT GLOVES.** Clean lamp after handling.
10. Mount Ballast box in lower Control Panel compartment using mounting holes provided. See Figure 3.
11. Route lamp wiring harness up through grommet in control panel center divider, out through an insulated foam gasket located in the top left corner of the control panel, and over to the lamp. Ensure connection is fully seated onto lamp.
12. Connect field supplied electrical connections per the lamp manufacturers installation instructions requirements.
13. Follow all Operation and Maintenance suggestions from the Coil Cleaner manufacturer.
14. Retain these and the Coil Cleaner Installation Instructions with the unit Owners Packet.

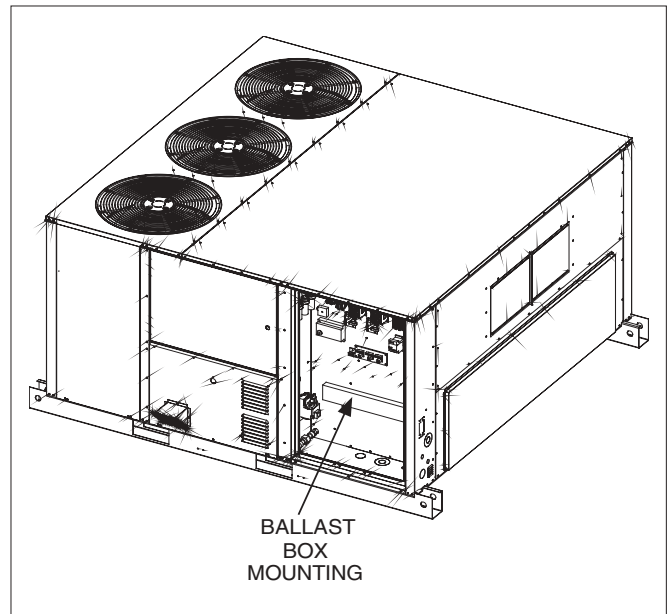


Figure 3

