

Concentric Vent Termination Kit for Condensing Furnaces

Installation Instructions

INTRODUCTION

These instructions are intended to assist qualified individuals in the proper installation of this concentric vent termination kit. If these instructions differ from those packaged with the furnace, follow these instructions. **READ ALL INSTRUCTIONS CAREFULLY BEFORE STARTING THE INSTALLATION.**

SAFETY CONSIDERATIONS

Installing and servicing heating equipment can be hazardous due to gas and electrical components. Only trained personnel should install or service heating equipment. Untrained personnel can perform basic maintenance such as cleaning coils, or cleaning and replacing filters. All other

operations should be performed by trained service personnel. When working on heating equipment, observe all precautions in the literature, and on tags and labels attached to the unit. Follow all safety codes. Wear glasses and work gloves, and have a fire extinguisher available.

WARNING!

Electric shock hazard. Disconnect all electrical power to the appliance before beginning any installation or modification.

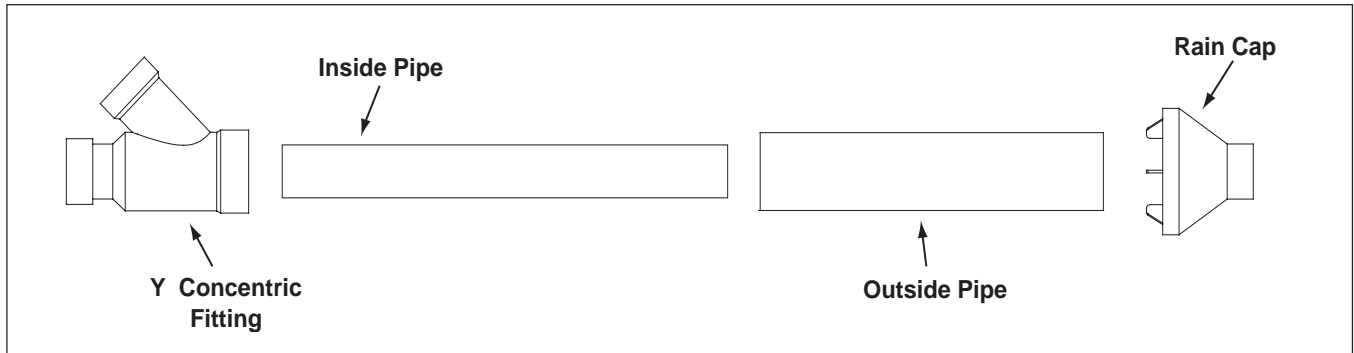


Figure 1. Kit Components

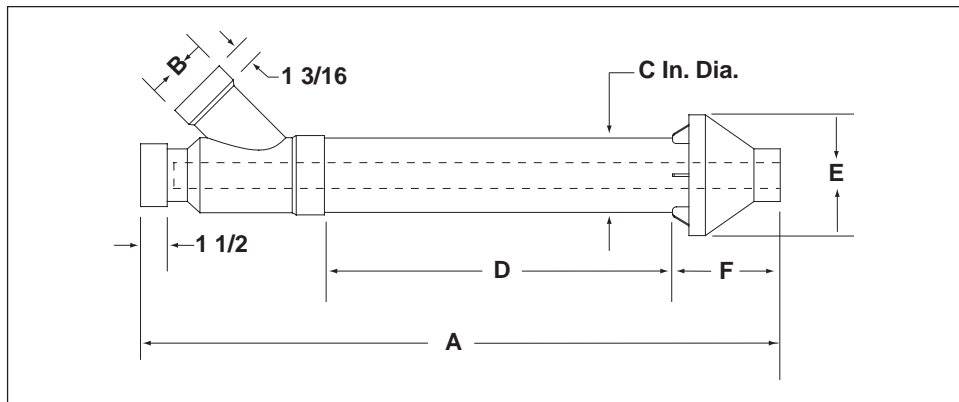


Figure 2. Dimensions

Kit No.	A	B	C	D	E	F
904176 (3")	38 7/8	3	4 1/2	21 1/8	7 3/8	6 1/2
904177 (2")	33 3/8	2	3 1/2	16 5/8	6 1/4	5 3/4

Table 1.

INSTALLATION

WARNING!

These kits are to be used only for terminating condensing Category IV furnaces. DO NOT use kits to terminate Category I, II, or III vent furnaces. Failure to follow these instructions could result in fire, personal injury, or death.

Field supplied pipe and fittings are required to complete the installation. The combustion air and vent pipe fittings must conform to American National Standards Institute (ANSI) and American Society for Testing and Materials (ASTM) standards D1785 (schedule-40 PVC), or D2665 (PVC-DWV), or D2441 (SDR-21 and SDR-26 PVC), or D2661 (ABS-DWV), or F628 (schedule-40 ABS). Pipe cement and primer must conform to ASTM standards D2564 (PVC) or D2235 (ABS).

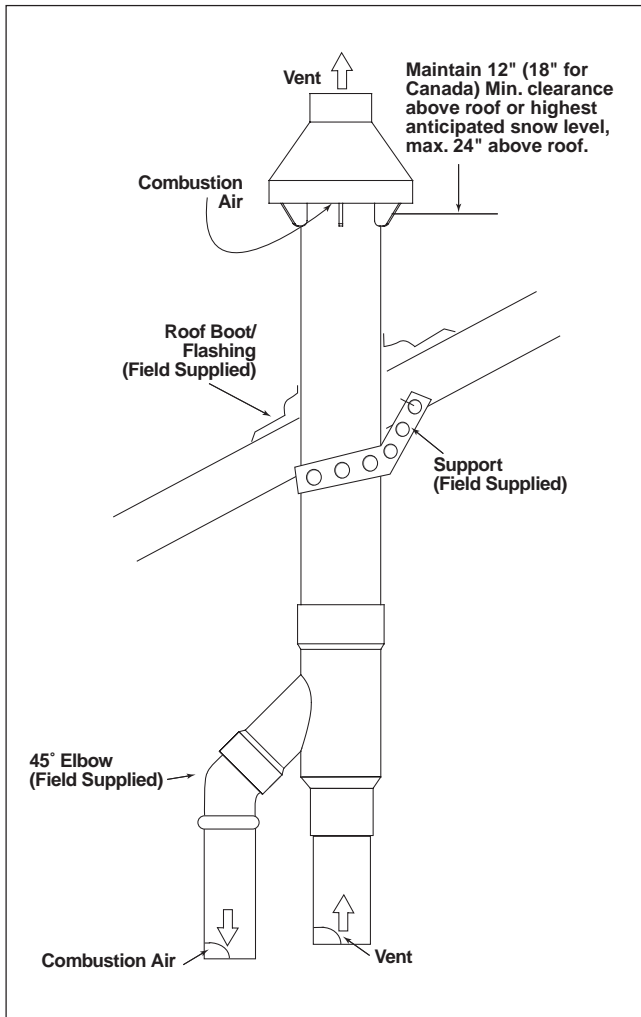


Figure 3. Roof Installation

For Canadian installations, construct all combustion air and vent pipes for this unit of CSA or ULC certified schedule-40 PVC or PVC-DWV, or ABS-DWV pipe and pipe cement.

Consult your furnace installation instructions for the allowable length and size of the plastic vent pipe. The concentric vent termination assembly is equal to 4 feet of 3" inlet and outlet pipe, or 3 feet of 2" inlet and outlet pipe.

The Concentric Vent Termination Kit is shipped assembled but not cemented. Disassemble the kit and cement per Figures 1 and 2.

Procedure 1 - Roof Termination

1. Determine the best location for termination kit.
2. Cut one hole, 5 inch diameter when using kit no. 904176 or a 4 inch diameter hole when using kit no. 904177.
3. Partially assemble the concentric vent termination kit per Figures 1 and 2.
 - a. Cement Y concentric vent fitting to larger diameter kit pipe. (See figure 1.)
 - b. Cement rain cap to smaller diameter kit pipe. (See figure 1.)
4. Install cemented Y concentric fitting and pipe assembly through structure's hole and field supplied roof boot/flashing (See Figure 3).
NOTE: do not allow insulation or other materials to accumulate inside pipe assembly when installing through hole.
5. Secure assembly to roof structure as shown in Figure 3 using field supplied metal strapping or equivalent support material. NOTE: Ensure termination height is above the roof surface or anticipated snow level (12 inches in U.S.A. or 18 inches in Canada). If the assembly is too short to meet the height requirement, the 2 pipes supplied in the kit may be replaced by using the same diameter, field supplied SDR-26 PVC (D2241) pipe. Do not expand dimension "D" more than 60 inches (See Figure 2).

CAUTION:

DO NOT use field supplied couplings to extend pipes. Airflow restriction will occur and the furnace pressure switch may cause intermittent operation.

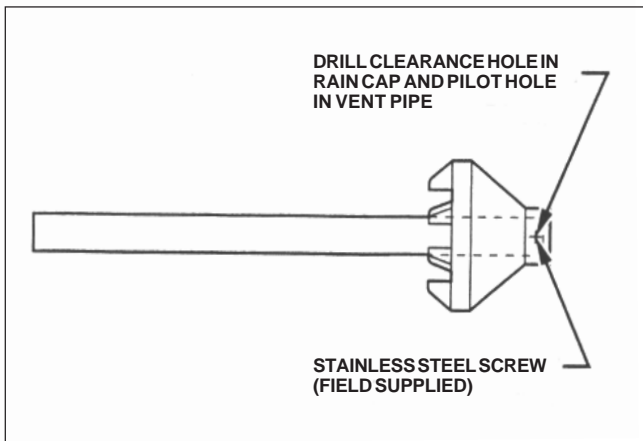


Figure 4. Rain Cap to Vent Pipe Alternate Assembly

NOTE: Instead of cementing the smaller pipe to the rain cap, a field-supplied stainless steel screw may be used to secure the 2 components together when field disassembly is desired for cleaning. (See Figure 4.)

⚠ WARNING!

Do not operate the furnace with rain cap removed. Recirculation of combustion products may occur, or water may accumulate inside larger combustion air pipe and flow into the burner enclosure. Failure to follow this warning could result in product damage or improper operation, personal injury or death.

6. Cement field supplied furnace combustion air and vent pipes to concentric vent termination assembly.
7. Run furnace through a complete heat cycle to ensure combustion air and vent pipes are properly connected to concentric vent termination connections.

Procedure 2 - Side Wall Termination

1. Determine the best location for termination kit.
 - Termination kit should be positioned where the vent vapors will not damage plants/shrubs, or air conditioning equipment.
 - Termination kit should be positioned where it will not be affected by wind eddies or currents that may allow recirculation of combustion products or unwanted intake of airborne leaves or light snow.
 - Termination kit should not be positioned where it may be damaged by foreign objects such as stones, balls, etc.
 - Termination kit should not be positioned where the vapors may be objectionable.

2. Cut one hole, 5 inch diameter for kit no. 904176 or a 4 inch diameter hole when using kit no. 904177.
3. Partially assemble the concentric vent termination kit per Figures 1 and 2.
 - a. Cement Y concentric vent fitting to larger diameter kit pipe. (See Figure 1.)
 - b. Cement rain cap to smaller diameter kit pipe. (See Figure 1.)
4. Install cemented Y concentric fitting and pipe assembly through structure's hole (See Figure 5). **NOTE:** do not allow insulation or other materials to accumulate inside pipe assembly when installing through hole.
5. Secure the assembly to the structure as shown in Figure 5 using field supplied metal strapping or equivalent support material. **NOTE:** Ensure termination location clearance as shown in Figure 5.

NOTE: If assembly needs to be extended, the 2 pipes supplied in the kit may be replaced by using the same diameter, field supplied SDR-26 PVC (D2241) pipe. Do not expand dimension "D" more than 60 inches (See Figure 2).

⚠ CAUTION:

DO NOT use field supplied couplings to extend pipes. Airflow restriction will occur and the furnace pressure switch may cause intermittent operation.

⚠ WARNING!

Do not operate the furnace with rain cap removed. Recirculation of combustion products may occur, or water may accumulate inside larger combustion air pipe and flow into the burner enclosure. Failure to follow this warning could result in product damage or improper operation, personal injury or death.

6. Cement field supplied furnace combustion air and vent pipes to concentric vent termination assembly.
7. Run furnace through a complete heat cycle to ensure combustion air and vent pipes are properly connected to concentric vent termination connections.

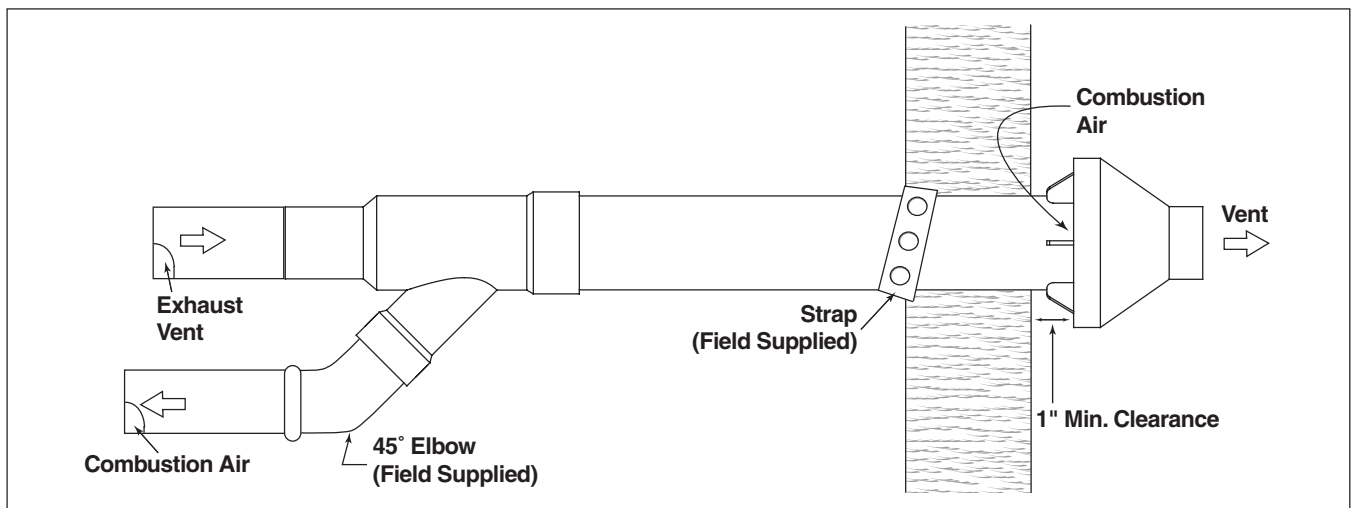


Figure 5. Side Wall Installation

Procedure 3 - Multiventing Terminations

When two or more direct vent furnaces are vented near each other, each furnace must be individually vented. (See Figure 6 and 7.) NEVER common vent or breach vent this furnace. When two or more direct vent furnaces

are vented near each other, each vent termination may be installed as shown in Figure 6 and 7. It is important that vent terminations be made as shown to avoid recirculation of flue gases. A minimum distance of 18 inches or a maximum distance of 36 inches MUST be maintained.

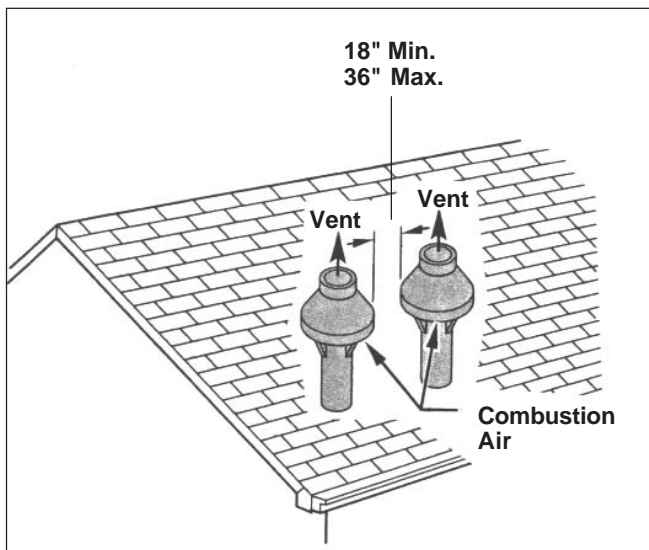


Figure 6. Concentric Vent and Combustion-Air Roof Termination

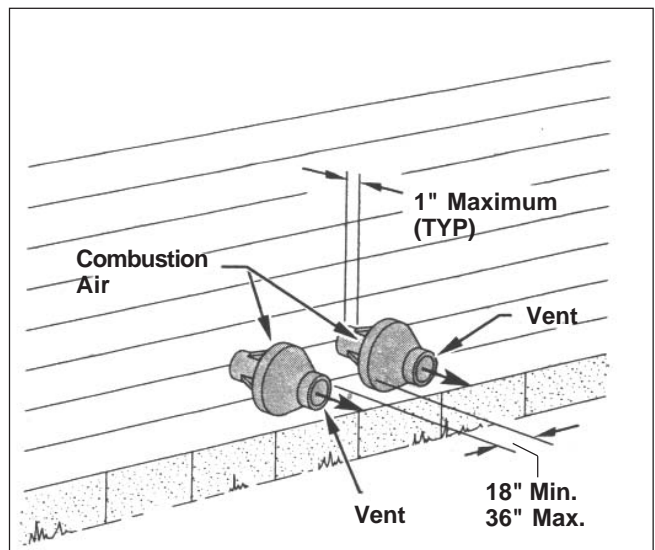


Figure 7. Concentric Vent and Combustion-Air Termination

INSTALLER: PLEASE LEAVE THESE INSTALLATION INSTRUCTIONS WITH THE HOMEOWNER.

