

Installation Instructions for Sub-Base Kits, 902974, 902677 & 904108

ADDENDUM

For *RL*/*TL*/*RK Series Downflow Furnaces.

IMPORTANT: Read these instructions and the furnace installation instructions carefully before beginning the installation.

WARNING!

This kit must be installed by a qualified service person in accordance with this kit and furnace instructions and all codes having jurisdiction. Failure to follow these instructions could result in serious injury, property damage, or death. The qualified service person performing this work assumes responsibility for this furnace installation.

INSTALLING SUB-BASE ON A COMBUSTIBLE FLOOR

For downflow furnace installation, this furnace is approved for use on combustible flooring when NORDYNE combustible floor sub-base kit # 902677, 902974 and 904108.

1. Cut and frame the hole in the floor per the dimensions in Figure 1 and in Table 1.
2. Place the sub-base for combustible floors over the hole with its duct collar extended downward.
3. Attach the supply air plenum to the base in a manner which will ensure 1" clearance to the flooring or other combustible material.
4. Place furnace on the combustible base as shown in Figure 2.
5. When the furnace is installed on a factory or site-built cased air conditioning coil, the sub-base is not necessary. However, the plenum attached to the coil casing must be installed such that its surfaces are at least 1" from combustible material.

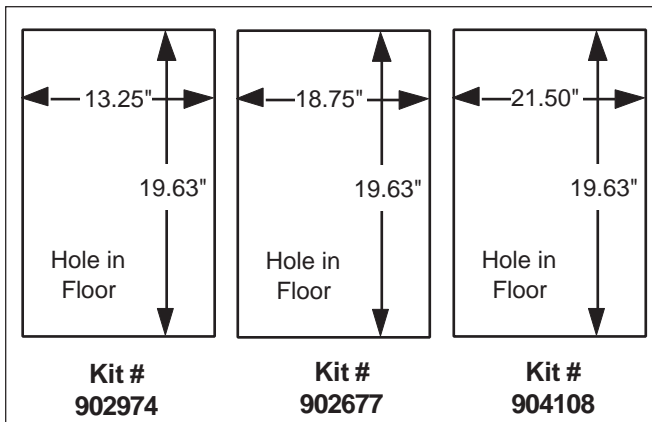


Figure 1. Opening in Wood Floor

Kit Number	Furnace Width
902974	14-1/4
902677	19-3/4
904108	22-1/2

Table 1. Kit Number and Furnace Width

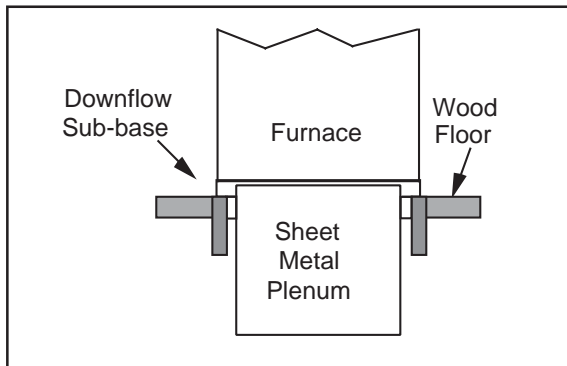
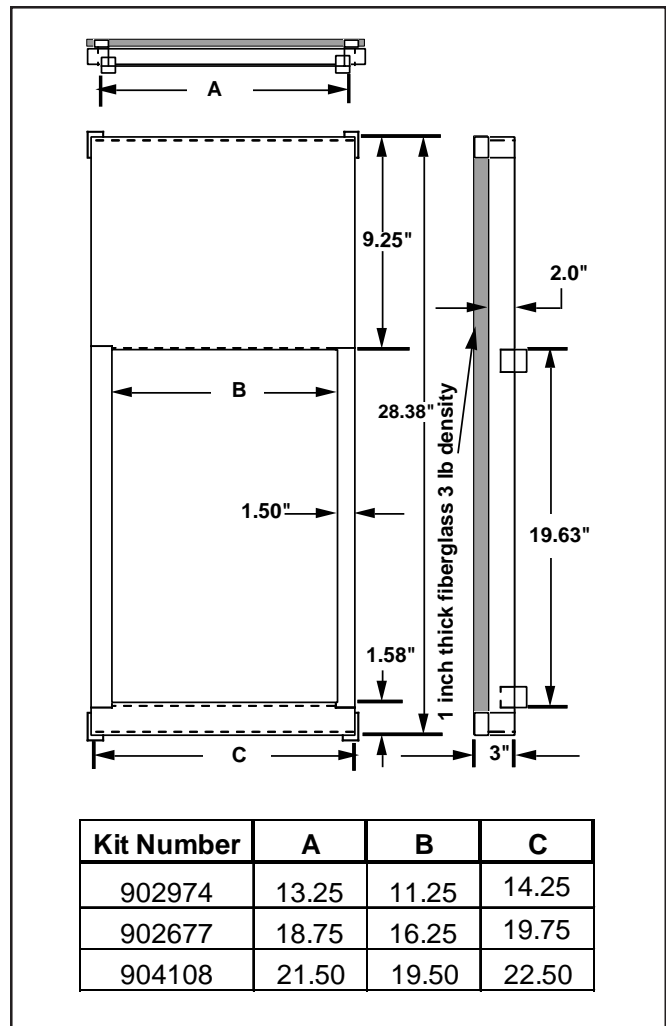


Figure 2. Furnace on a Wood Floor



Kit Number	A	B	C
902974	13.25	11.25	14.25
902677	18.75	16.25	19.75
904108	21.50	19.50	22.50

Figure 3. Downflow Sub-base Dimensions

