

Installation Instructions

P3SN Series-7.5 and 10 Ton Package Air Conditioners

This kit is designed to allow addition of four (4) internally mounted 1" or 2" filters (Field Provided) to 7.5 and 10 Ton Package Air Conditioners, P3SN Series. Kit easily installs using mounting holes provided.

⚠ WARNING:

This kit is to be installed by a qualified service technician in accordance with these instructions and all codes having jurisdiction. Failure to follow these instructions could result in serious injury, property damage, or death.

THIS KIT INCLUDES:

- 1-Top Filter Support
- 1-Center Filter Support
- 1-Bottom Filter Support
- 1-Left Side Filter Bracket
- 1-Right Side Filter Bracket
- 1-Extra Parts Package
 - Filter Adjustment Brackets
 - Plastic Fasteners
 - Mounting Screws
 - Installation Instruction

INSTALLATION:

- **DISCONNECT ELECTRICAL POWER TO UNIT.**
- Remove Evaporator Return Air access panel on unit.
- Attach Top Filter Support Bracket (1) to existing evaporator top close off plate.
- Attach Left and Right Side Filter Bracket (2 & 3) with 1/2" flanges facing center of coil. (NOTE: Mounting and clearance holes are provided on brackets to ensure proper alignment without removal of existing screws.)
- Attach Filter Center Support (4) to right and left side brackets using plastic fasteners provided ensuring the clips mount toward the outside of filter rack.
- Attach Filter Size Adjustment Brackets (5) to lower right and left side brackets using appropriate holes for filter media being used.
 - Front two (2) mounting holes-2" thick filters.
 - Rear two (2) mounting holes-1" thick filters

SECURING FILTERS: (See Figure 1.)

- Using four (4) - 16"x20" (7.5T PAC) or 16"x25" (10T PAC), place top two filters, side by side, up under top filter support bracket and temporarily rest on center support bracket. Slide bottom two filters down between adjustment brackets and coil drain pan.
- 2" filters-Place Bottom Filter Support (6) "OVER" lower two filters and slide back until support drops into slots located in side brackets, securing upper and lower filters in place.
- 1" filters-Place Bottom Filter Support (6) "IN FRONT" of bottom two filters and slide back until support drops into slots located in side brackets, securing upper and lower filters in place.
- Replace Evaporator Return Air access panel.
- **RESTORE ALL ELECTRICAL POWER BACK TO UNIT.**

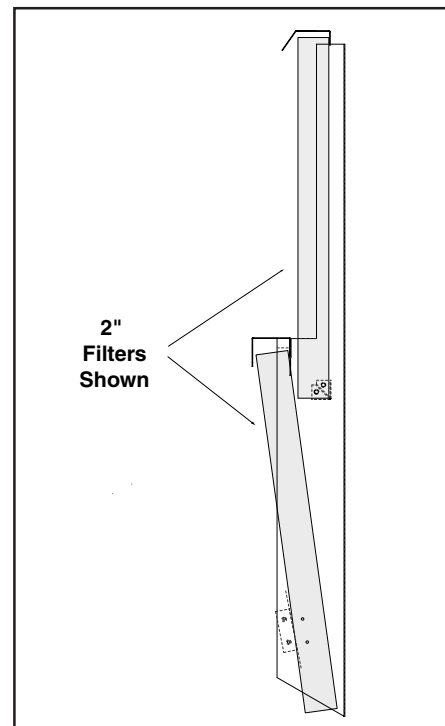
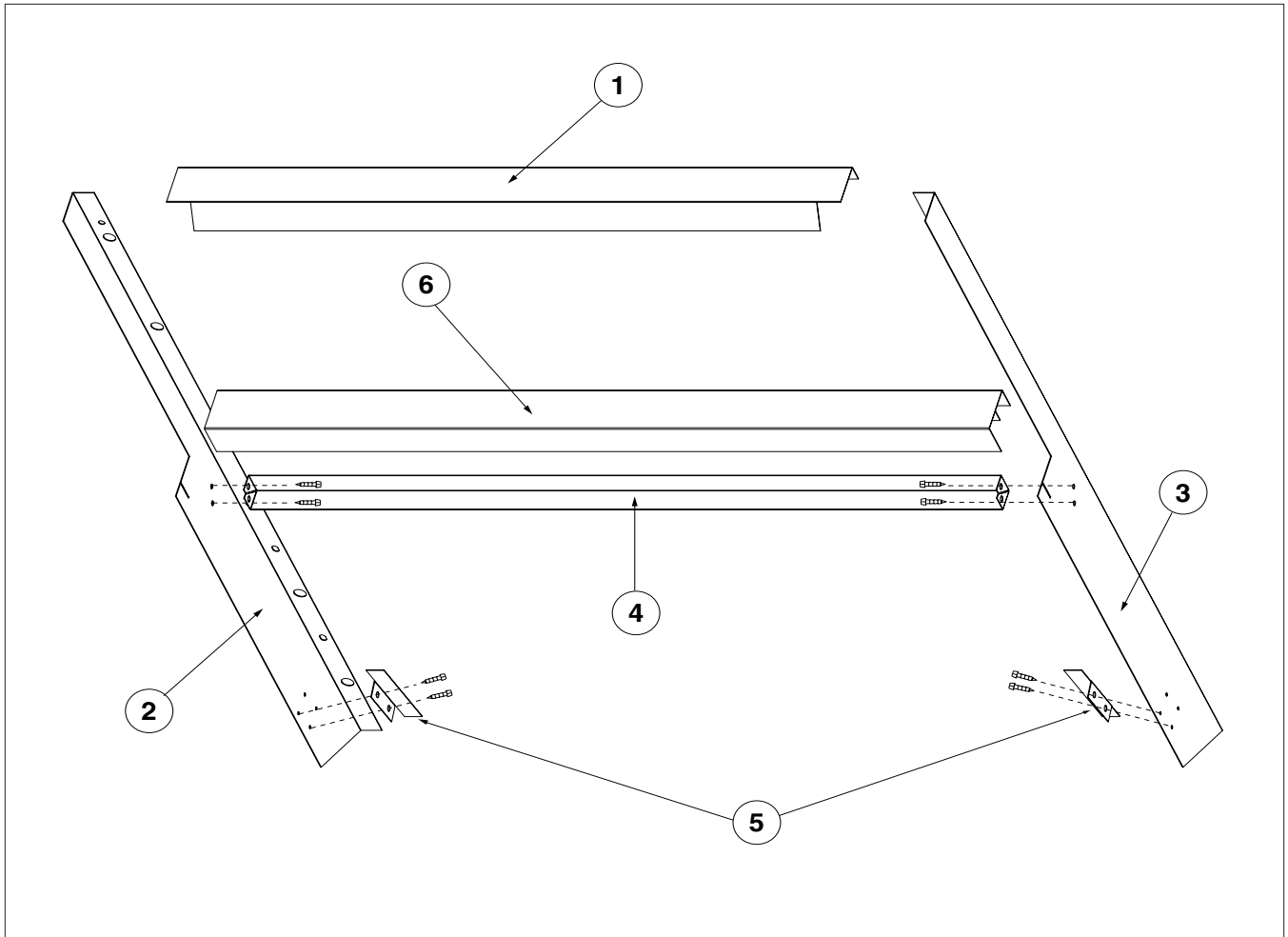


Figure 1. Filter Rack Side View

Filter Rack Kit



7082800

O'Fallon, MO

NORDYNE



7082800

Specifications and illustrations subject to change
without notice and without incurring obligations.
Printed in U.S.A. (02/04)