

## Inducer Replacement Kit

# Installation Instructions

### For G-Series 90+ Furnace Models

**WARNING:** Replacement of the inducer must be performed by a qualified service agency. Improper installation, alteration, service, or maintenance can cause injury or property damage.

#### FOR YOUR SAFETY

#### WHAT TO DO IF YOU SMELL GAS

- Do not try to operate any appliance.
- Do not touch any electrical switch; do not use any phone in your building.
- Immediately call your gas supplier from a neighbor's phone. Follow the gas supplier's instructions.
- If you cannot reach your gas supplier, call the fire department.
- Extinguish any open flame.

Read these installation instructions in their entirety before proceeding with the inducer replacement.

#### Before Starting the Replacement

When replacing the inducer on G3RC models, the condensate drain kit (P/N 903750) and in-line drain assembly (P/N 663714) are also required.

#### Turning Off the Electricity to the Appliance

1. Set the thermostat to the OFF position or to its lowest setting.
2. Turn off all electrical power to the appliance.

#### Replacing the Inducer Assembly

1. Loosen the two hose clamps on the rubber sleeve connecting the inducer to the vent pipe (See Figure 1).
2. Remove the three hex bolts which hold the inducer housing to the plastic collector box.
3. Remove the inducer.
4. Remove the plastic orifice ring from the opening of the old inducer and place it into the opening of the new inducer.

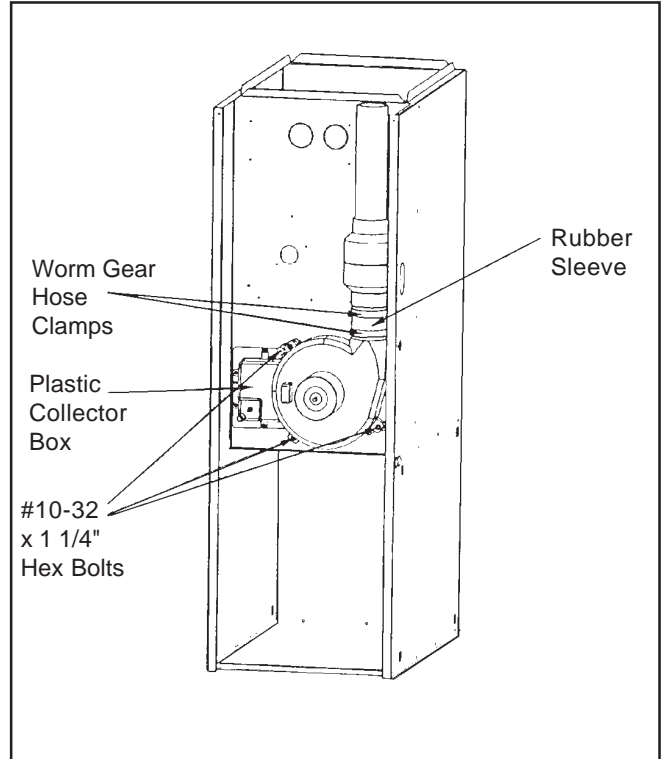


Figure 1.

**NOTE:** 40,000 Btu furnaces (e.g. GXRC040C-XX) require the plastic orifice packed with this replacement inducer.

5. Mount the replacement inducer on the furnace. The bolts should be tight and the inducer should not be capable of moving. **DO NOT OVERTIGHTEN**, this could result in damage to the inducer.
6. Adjust the rubber sleeve over the inducer exit and tighten the two hose clamps.

#### Check the Operation of the Appliance

1. Follow the Start up Procedure as outlined in the G Series installation instructions. Start the furnace to ensure correct pressure switch operation. If the furnace does not fire and a 2 blink code is given by the control board, the inducer bolts require further tightening. Tighten the bolts and restart the furnace.

