

# Installation Instruction Addendum

## Indoor Air Handlers

This unit is equipped with a liquid line solenoid valve that must be connected to the 24VAC control circuit as described below.

1. Disconnect all power to the unit.

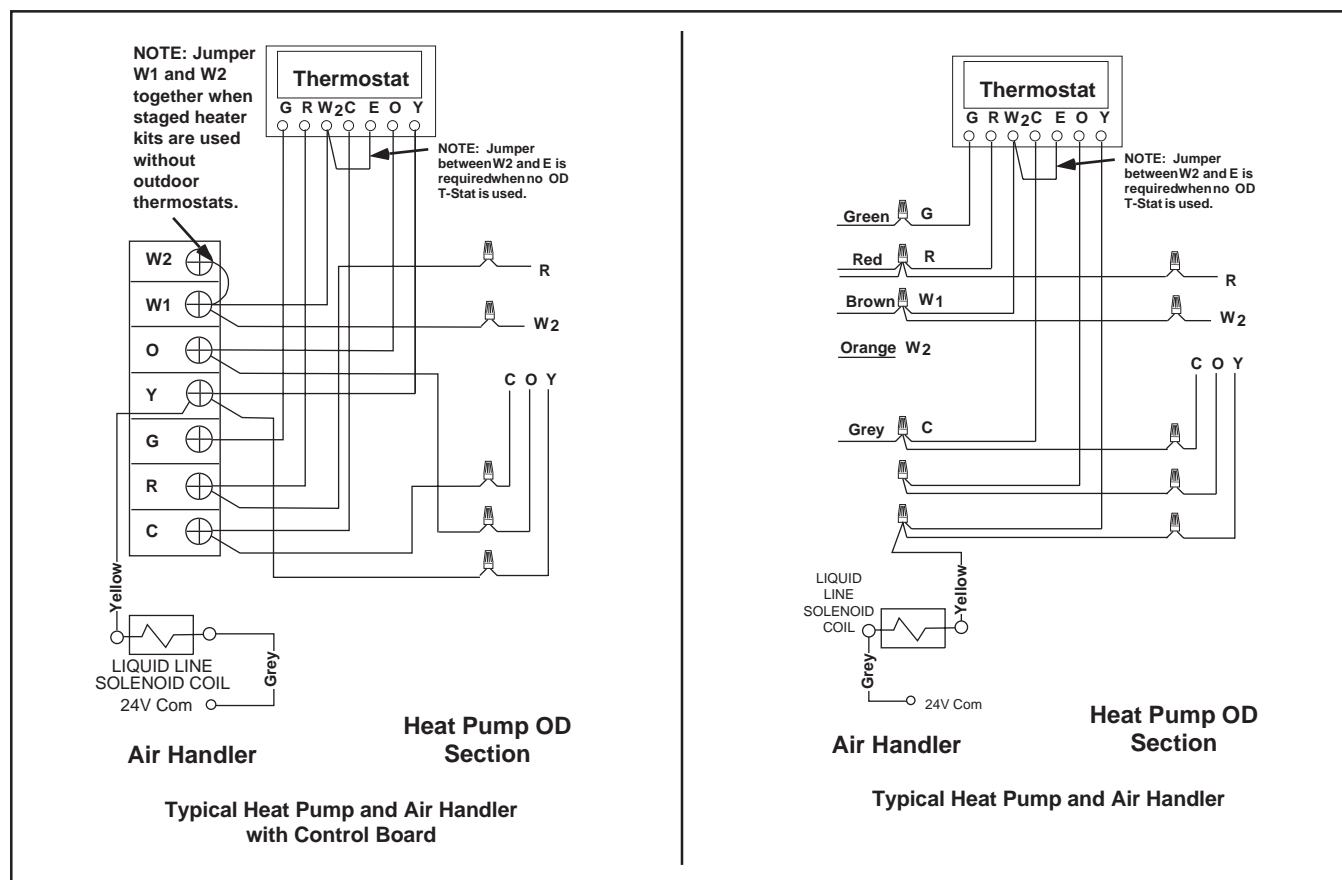
### **⚠ WARNING:**

To avoid the risk of electric shock, personal injury, or death, disconnect all electrical power to the unit before servicing. The unit may be connected to more than one power supply.

2. Remove the upper panel of the air handler to access the control box.
3. Connect the yellow wire from the liquid line solenoid valve located in the low voltage compartment to the field supplied wires joining "Y" on the thermostat and the outdoor unit. The grey common wire is already factory installed to the 24V common circuit of the unit.

Note: On units with control boards the "Y" connections can be junctioned at the "Y" on the terminal strip.

4. Reinstall all access panels and restore power to the system.
5. Verify that the valve is functioning properly. The valve should open when the compressor contactor is energized and close when de-energized, holding the high side pressure.



### Field Wiring Connections

708210



708210