



*Low Boy*

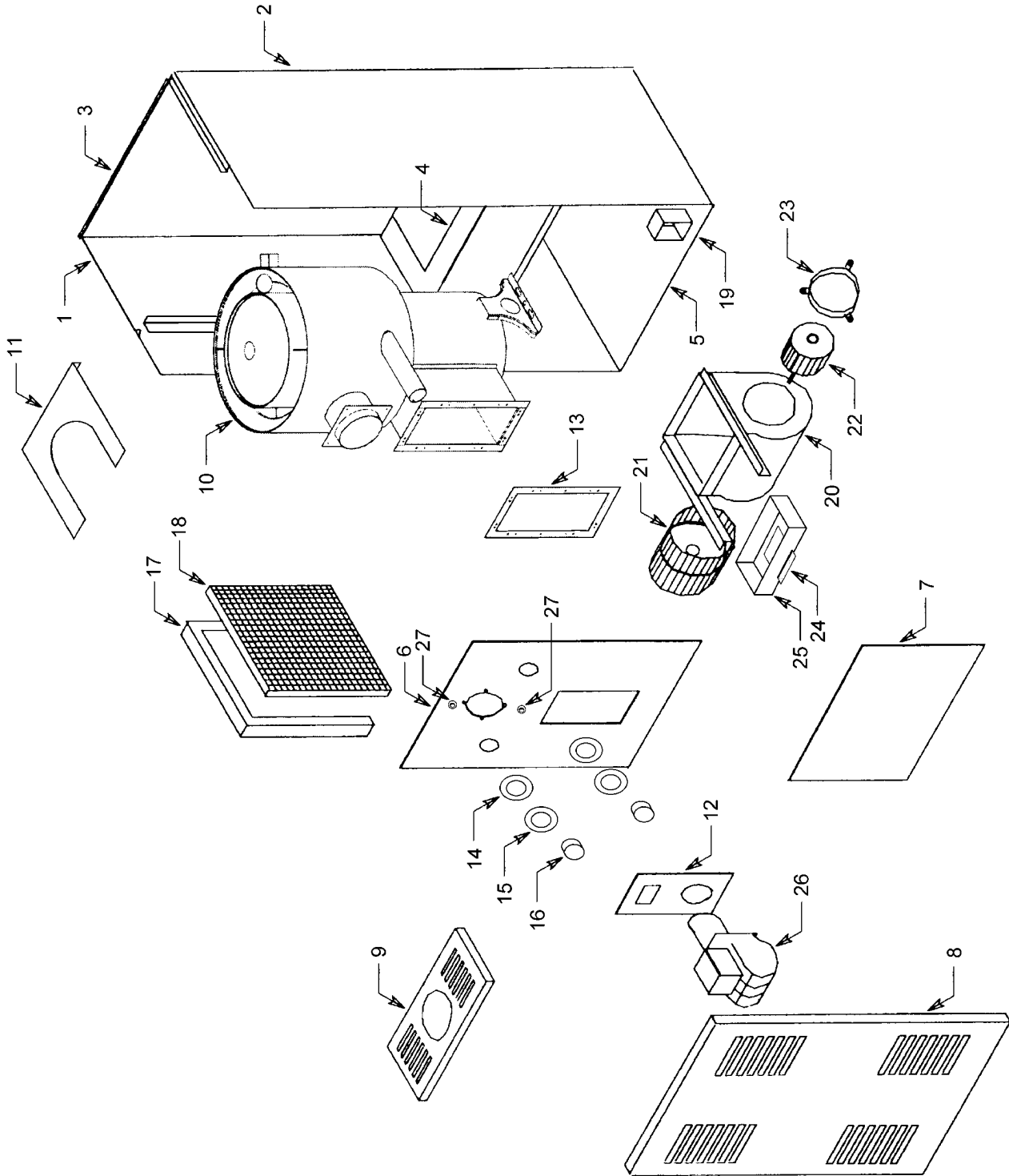


*High Boy*



*Downflow/Horizontal  
shown with optional front vestibule*

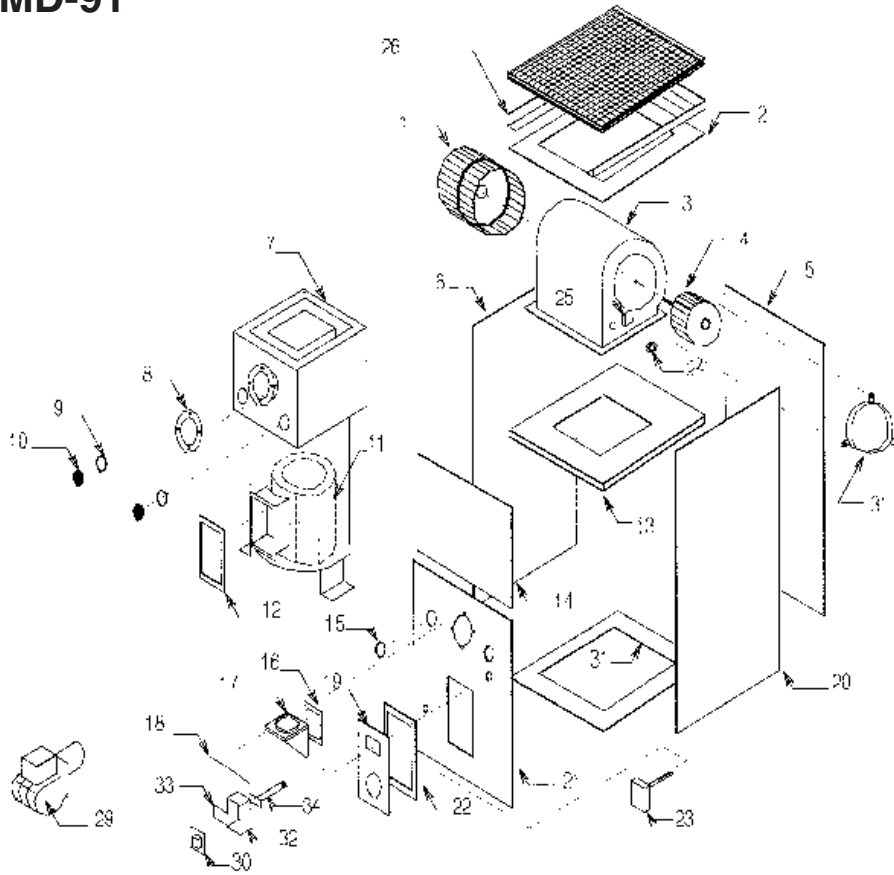
# Model O4HD



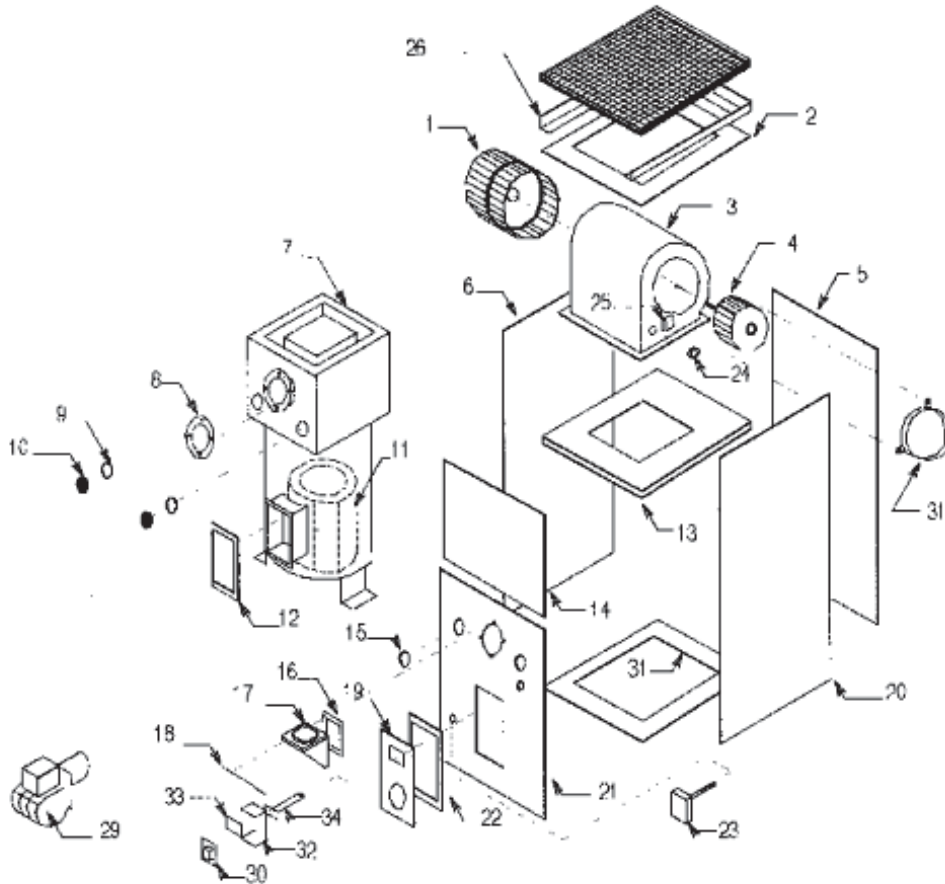
## Model O4HD Horizontal Oil Furnaces

		O4HD	O4HD
ITEM	DESCRIPTION	091A-12F	140A16F
1	Left Side Panel Assy.	OL29178N	OL28457N
2	Right Side Panel Assy.	OL29177N	OL28456N
3	Rear Panel Assy	OL29131N	OL26209N
4	Blower Division Panel Assy.	OL29587	OL29588
5	Base Panel Assy.	OL26216	OL26216
6	Inner Front Panel Assy.	OL29132	OL29355
7	Blower Access Door .	OL29122N	OL29122N
	Door Handle	OL28673	OL28673
8	Front Door Panel	OL29183N	OL29387N
9	Top Panel	OL29140N	OL21437N
10	Heat Exchanger Assy	OL29135	OL29358
	Firepot Bracket Assy	OL4141185A	OL4141185A
11A	Rear Panel Baffle	OL29157	OL29359
11B	Left Side Panel Baffle	OL29158	OL29361
11C	Right Side Panel Baffle	OL29159	Not Used
12	Burner Mounting Plate	OL27033	OL1214B
	Inspection Door Gasket RH	OL27040	Not Used
	Inspection Door Gasket LH	OL27041	Not Used
	Inspection Door Gasket Centre	OL27096	Not Used
	Inspection Door Gasket	Not Used	OL2081055A
13	Inspection Door Assy	Not Used	OL8898A
	Pouch Gasket	OL2080175	OL2080175
14	Flue Pipe Gasket	OL29176	OL29390
	Clean-out Cover Gasket (2)	OL29163	OL29163
15	Clean-out Gasket Retainer (2)	OL29161	OL29161
16	Clean-out Cover (2)	OL29162	OL29162
17	Filter Frame	OL18020	OL18020
	Filter Frame End Support	OL5592B2	OL5592B2
18	Filter 16 x 25 x 1	OL2180023	OL2180023
19	Junction Box	OL28723	OL28723
	Cover Junction Box	OL28722	OL28722
20	Blower Assy	902815	902816
	Blower Motor	902128	902346
	Blower Wheel	667271	667277
	Blower Housing Assy	497224R	497229R
	Capacitor, Motor	621435	621435
	Blower Side Rails	OL29583	OL27733
	Wire Harness, Blower	903961	903961
	Wire Harness, Fan Timer	OL29364	OL29364
	Wire Harness, Transformer	OL29367	OL29367
Wire Harness, Supply	OL29366	OL29366	
24	Fan Timer Board	DUB20123101	DUB20123101
25	Control Box	OL29362	OL29362
	Transformer	OL27738	OL27738
26	Burner Assy, Oil	OL29665	OL29352
	Pump, Oil	622090	622090
	Burner, Motor	OL29689	OL29689
	Flame Retention Head	OL11960	OL11961
	Air Tube Combination	OL28583	OL27610
	Protector Relay	OL29664	OL29664
	Nozzle	OL29641	660641
Solid State Igniter	OL29522	OL29522	
27	Limit Control, Upper	OL29197	OL28654
	Limit Control, Lower	OL29198	Not Used
	Flue Pipe Elbow (not shown)	OL29475	OL29476
	Draft Regulator (not shown)	OL27494	OL12240

# Model O4MD-91



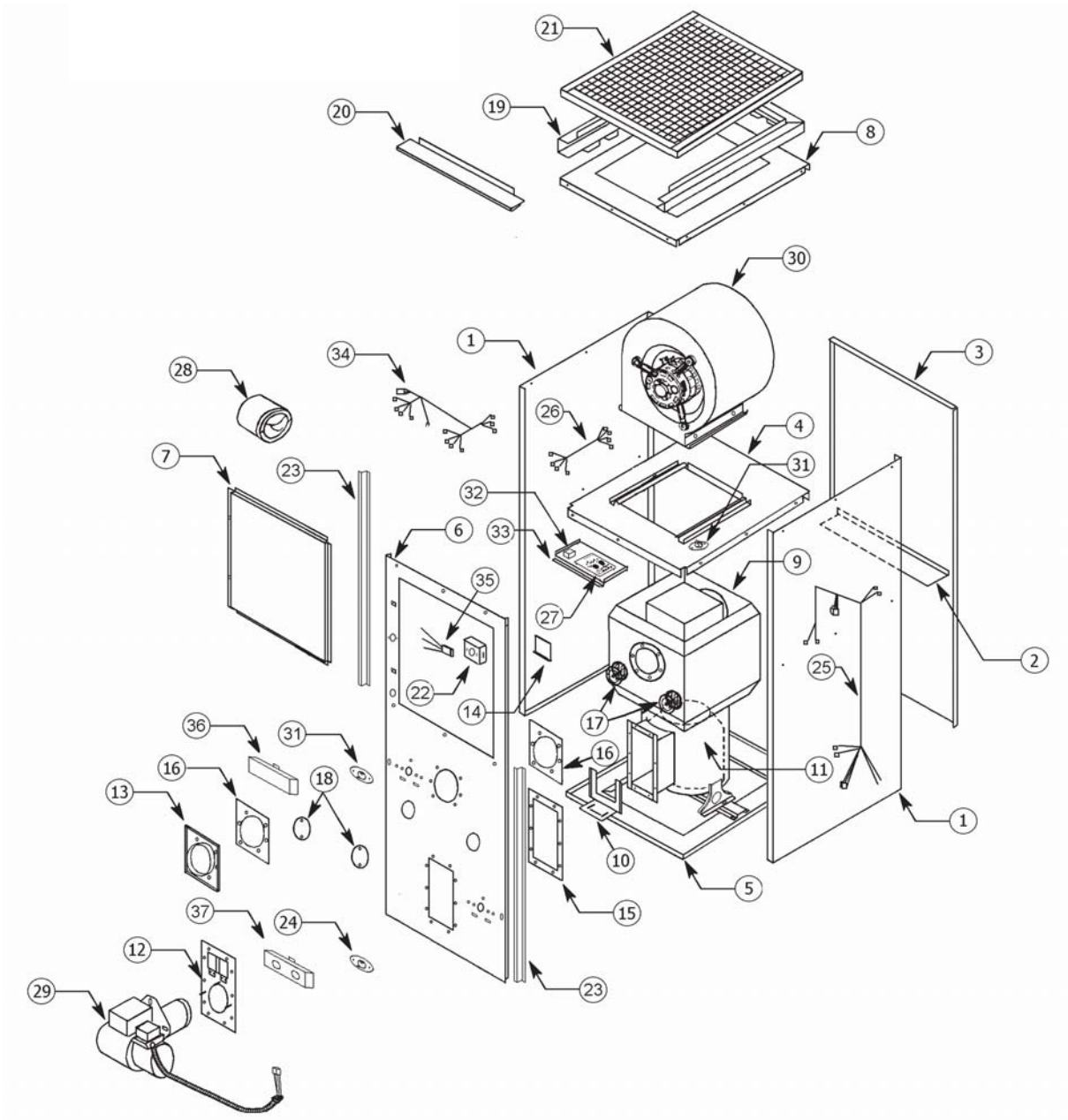
# Model O4MD-140



## Model O4MD Counterflow/Horizontal Oil Furnaces

		O4MD	O4MD
ITEM	DESCRIPTION	091A-12F	140A16F
1	Blower Wheel	OL26430	OL29692
2	Top Panel	OL29013N	OL26862N
	Blower Assy	OL29027	OL27010
3	Blower Housing	OL28142	OL17559
4	Blower Motor	OL26088	OL26088
5	Rear Panel	OL29009N	OL26864N
6	Left Side Panel	OL29008N	OL26865N
7	Heat Exchanger Assy	OL27876	OL26871
8	Flue Gasket	OL21994	OL21994
9	Gasket, Radiator Clean-out	OL2080176	OL2080176
10	Radiator Clean-out Cover	OL27280	OL27280
11	Firepot Replacement	OL27000WP	OL27000WP
12	Pouch Gasket	OL2080175	OL2080175
13	Division Panel, Blower	OL29012	OL26982
14	Blower Door	OL29016N	OL27005N
15	Casing, Clean-out Cover	OL3011325A	OL3011325A
16	Flue Gasket	OL21994	OL21994
17	Flue Connector	OL29005	OL1295B2
18	Cover Plate, Flue Coll Assy	Not Used	OL1297B2
19	Burner Mounting Plate	OL27033	OL27033
	Inspection Door Gasket RH	OL27040	OL27040
	Inspection Door Gasket LH	OL27041	OL27041
	Inspection Door Gasket, Centre	OL27096	OL27096
20	Right Side Panel Assy	OL29008N	OL26865N
21	Front Panel	OL29010N	OL26863N
22	Pouch Gasket	OL2080175	OL2080175
23	Fan & Limit Control	OL28589	OL27022
24	Limit, Auxilliary	OL27996	OL27021
25	Capacitor, Blower Motor	621435	621435
26	Filter Frame	OL21260	OL21260
	Filter 20 x 20 x 1	OL2180032	OL2180032
	Filter Frame End Support	OL21306	OL21306
29	Burner Assy, Oil	OL29028	OL27007
	Burner Motor	OL2020009	OL2020009
	Oil Pump	OL2060011	OL2060011
	Transformer	OL2050023	OL2050023
	Primary Control	OL27260	OL27260
	Air Tube Combination	OL28583	OL27610
	Flame Retention Head	OL11960F0	OL11961f3
	Nozzle	660624	660641
	Burner Combustion Wheel	OL18204	OL18204
30	Fan Center	OL27740	OL27740
31	Sub-Base	Not Used	OL546010
32	Junction Box	OL21318	OL27039
33	Junction Box Cover		OL27097
34	Limit, Auxilliary		OL27067
	Gasket, Limit Control (not shown)		OL26762
	Draft Regulator (not shown)	OL27494	OL12240
	Base Panel (not shown)	OL29006	Not Used
	Motor Mounting Band (not shown)	OL17811	OL17811
	Motor Mounting Arm (3) (not shown)	OL26251	OL17812

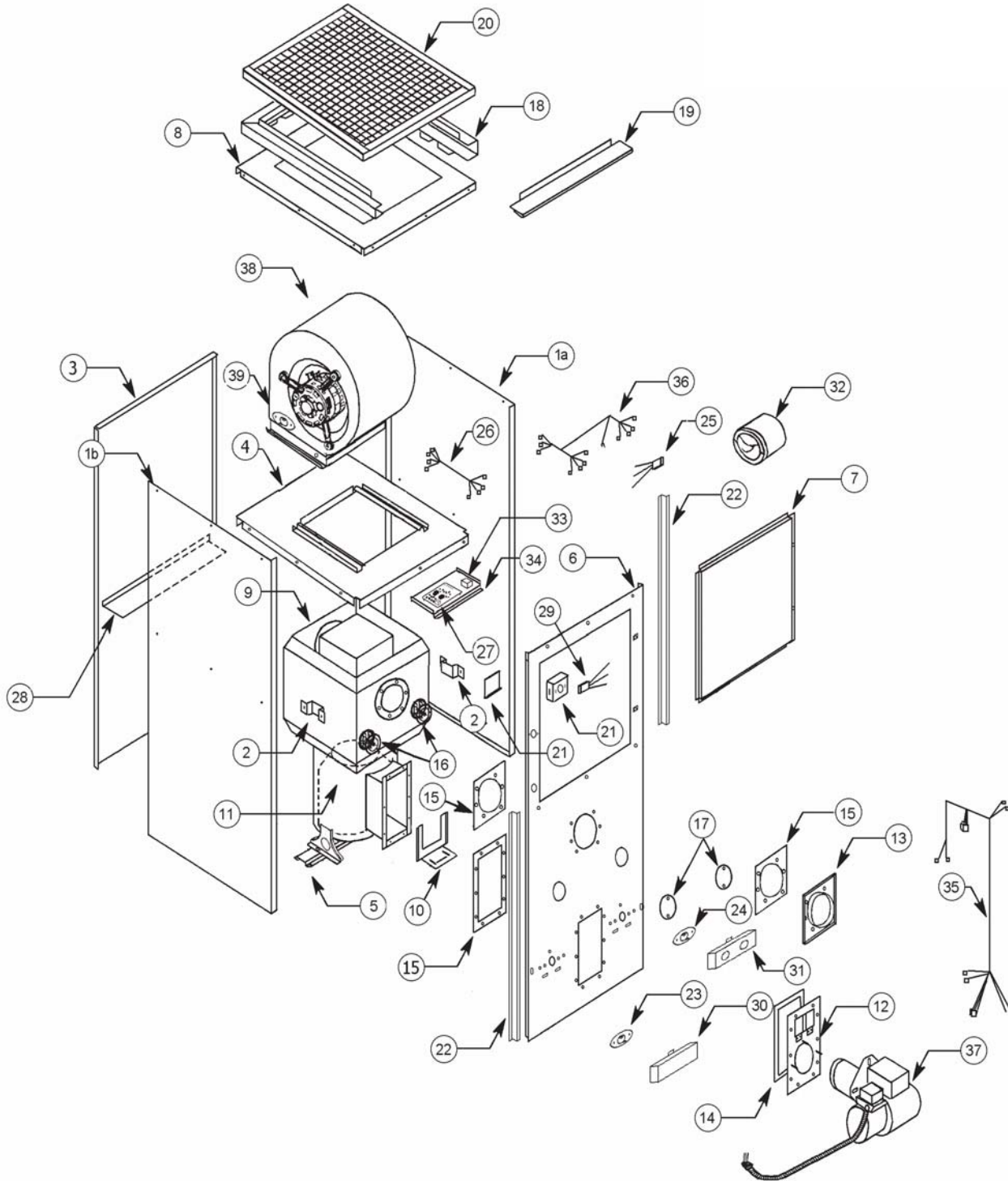
# Model O4MD-091A-12-FA



# Model O4MD-091A-12-FA Counterflow/Horizontal Oil Furnaces

		O4MD
Ref. No.	DESCRIPTION	091A-12FA
1	Right and Left Side Panel	OL30072N
2	Rear Panel Baffle	OL27918
3	Rear Panel	OL30272N
4	Blower Division Panel Assembly	OL29012
5	Base Panel Assembly	OL29007
6	Front Panel	OL30073N
7	Blower Access Door	OL30074N
	Door Handle - P2 - 41	OL28673
	Logo Bezel	OL28749
	Logo Label	OL28563
8	End Panel	OL29013N
9	Heat Exchanger Assembly	OL27861
10	Firepot Retainer Bracket	OL27068
11	Replacement Combustion Chamber	OL2700WP
12	Oil Burner Mounting Plate Assembly	OL29872
13	Flue Pipe Connecting Flange	OL29005
14	Junction Box Cover	OL28722
15	Pouch Gasket	OL2080175
16	Flue Pipe Gasket (2 per unit)	OL21994
17	Radiator Cleanout Cover Assembly	OL1061A
	Cleanout Cover Gasket	OL2080176
18	Casing Clean-out Cover	OL3011325A
19	Filter Frame	OL21260
20	Filter Frame End Support	OL21306
21	Air Filter - 20x20x1 (Permanent)	OL2180032
22	Junction Box	OL28723
23	Channel Wire Retainer	OL29027
24	Limit Control 60T11BOF L180°F	OL28654
25	Wire Harness Control	OL30268
26	Wire Harness Blower Direct Drive	OL30265
27	Fan Timer Control: Honeywell ST9103A or UTC 1158-150	OL29388
28	Draft Regulator 5"	OL27494
29	Beckett Oil Burner AF76BNHS	OL30288
	Burner Motor 1/7 HP 3450 RPM PSC	OL29689
	Beckett Clean-cut Oil Pump	622090
	Solid State Igniter	OL29522
	Primary Combustion Control R7184A	OL29664
	Flame Retention Head	OL11961
30	Nozzle 0.65 / 80°A	660605
	Blower Assembly, Complete Direct Drive, 1/2 hp, 4-speed	OL29027
	Blower Housing and Wheel, GT10 DD	OL28142
	Blower Wheel, GT10 DD	OL26430
	Blower Motor, 1/2 hp, 4-speed	OL26088
	Motor Mounting Band - TR6884B	OL17811
	Motor Mount Arms - 10-10 DD Blower (3 per unit)	OL26251
	Motor Run Capacitor, 10 mfd @370 vac	OL27743
	Capacitor Strap	OL27760
Blower Slide Rail (2 per unit)	OL29026	
31	Auxiliary Limit 60T11BOF L140°F	OL29198
32	Transformer	OL27738
33	Control Panel	OL30190
34	Wire Harness, Junction Box to Control	OL30264
35	Wire Harness, Supply	OL29366
36	Limit Cover, Left	OL30240
37	Limit Cover, Right	OL30195
	Low Fire Kit	OL29880
	Low Firing Rate Baffle	OL25521101
	Nozzle, .50/80° A	660606
	Vestibule Kit (not shown)	OL30554N
	Base Panel (not shown)	OL29019N
	Top Panel (not shown)	OL21437N
	Door Panel (not shown)	OL29022N
	Left Side Panel (not shown)	OL30527N
	Right Side Panel (not shown)	OL30528N
	Sub Base (not shown)	OL06000075N

# Model O4MD-140A-16-FA

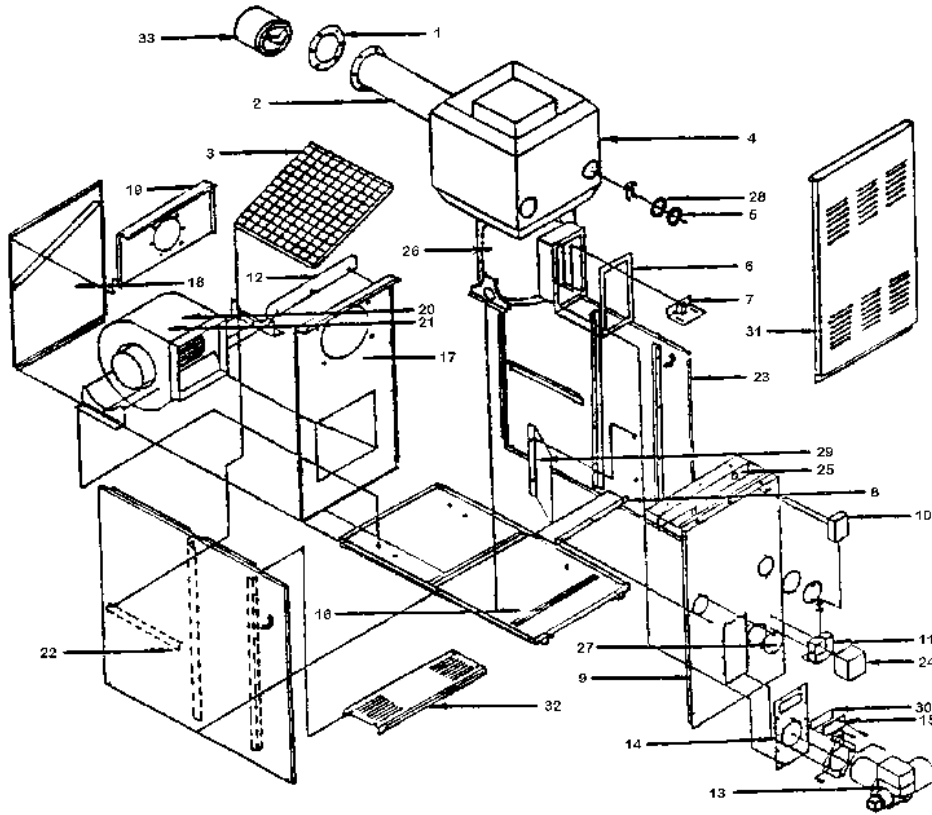




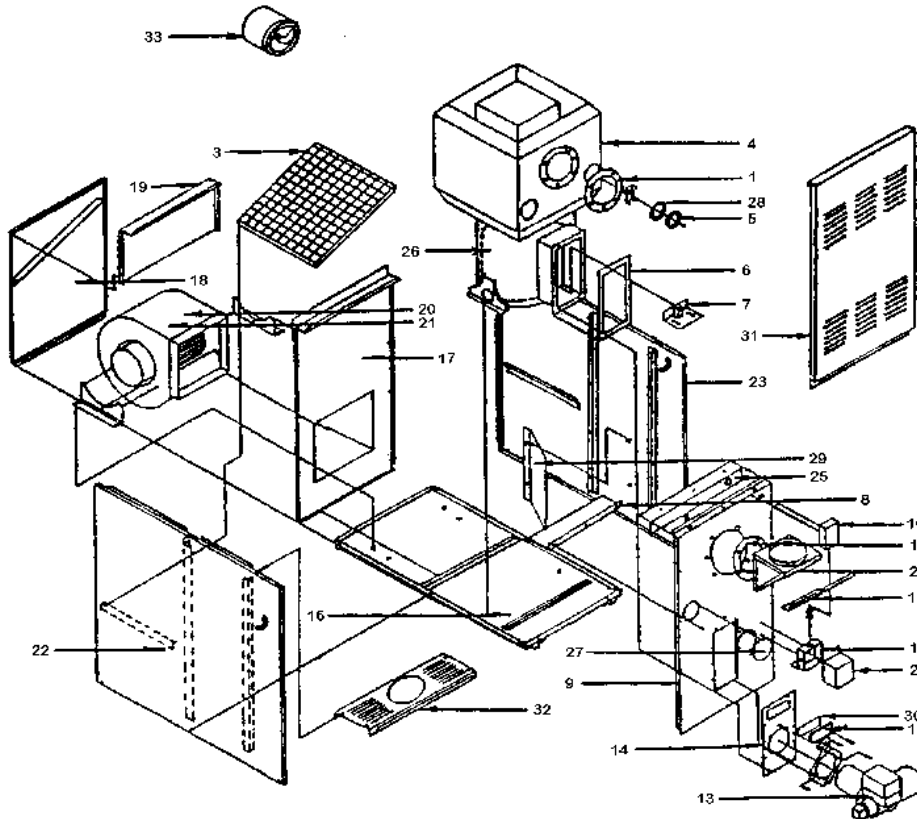
# Model O4MD-140A-16-FA Counterflow/Horizontal Oil Furnaces

		O4MD
ITEM	DESCRIPTION	140A-16-FA
1a	Right Side Panel	OL30360N
1b	Left Side Panel	OL30351N
2	Side Panel Heat Exchanger Support (2 per unit)	OL27038
3	Rear Panel	OL30353N
4	Blower Division Panel Assembly	OL30354
5	Base Heat Exchanger Support	OL26975
6	Front Panel	OL30350N
7	Blower Access Door	OL30363N
	Door Handle - P2-41	OL28673
	Logo Bezel	OL28479
	Logo Label	OL28563
8	End Panel	OL30352
9	Heat Exchanger Assembly	OL30380
10	Firepot Retainer Bracket	OL27068
11	Replacement Combustion Chamber	OL27000WP
12	Oil Burner Mounting Plate Assembly	OL29873
	Inspection Door Gasket	OL29871
13	Flue Connector	OL28306
14	Pouch Gasket	OL2080175
15	Flue Pipe Gasket	OL21994
16	Radiator Cleanout Cover Assembly	OL1061A
	Cleanout Cover Gasket	OL2080176
17	Casing Clean-out Cover	OL3011325A
18	Filter Frame	OL21260
19	Filter Frame End Support	OL21306
20	Air Filter - 20x20x1 (Permanent)	OL2180032
21	Junction Box	OL28723
22	Channel Wire Retainer	OL29027
23	Limit Control 60T11BOF L150°F	OL29197
24	Limit Control 60T11BOF L160°F	OL29662
25	Wire Harness Junction Box to Control	OL30392
26	Wire Harness Blower Direct drive	OL30391
27	Fan Timer CONTROL: Honeywell ST9103A or UTC 1158-150	OL29388
28	Air Baffle	OL30364
29	Wire Harness, Supply	OL29366
30	Limit Cover, Left	OL30240
31	Limit Cover, Right	OL30195
32	Draft Regulator 6"	OL12240
33	Transformer	OL27738
34	Control Panel	OL30355
35	Wire Harness Burner to Timer Board	OL30390
36	Wire Harness Transformer to Timer Board	OL30393
37	Beckett Oil Burner AF76XN	OL27007
	Burner Motor 1/7 HP 3450 RPM PSC	OL29689
	Beckett Clean-cut Oil Pump A2EA6520	622090
	Solid State Igniter FRANCE 10SAY-04	OL29522
	Primary Combustion Control R7184A	OL29664
	Air Tube Combination AF76XN	OL27610
	Flame Retention Head (O4MD-140A-16-FA 91,000 to 117,000 BTUH)	OL11961
	Flame Retention Head (O4MD-140A-16-FA 128,000 BTUH)	OL12646
	Nozzle 1.00/60° A (O4MD-140A-16-FA 117,000 BTUH)	660639
Nozzle 1.10/70° A (O4MD-140A-16-FA 128,000 BTUH)	660644	
38	Blower Assembly, Complete, Direct Drive, 1/2 hp, 4-speed	OL30387
	Blower Housing and Wheel, GT12-10 DD	OL17559
	Blower Wheel, GT12-10 DD	OL29692
	Blower Motor, 3/4 hp, 4-speed	OL27161
	Motor Mounting Band - TR6884B	OL17811
	Motor Mount Arms - 12-12 DD Blower (3 per unit)	OL17812
	Motor Run Capacitator, 20 mfd @ 370 vac	OL27745
	Blower Slide Rail	OL29026
39	Auxillary Limit L130°F 60T11 BOF	OL30388
	Sub Base (not shown)	OL006000073N

# Model O4LD-140, 168R



# Model O4LD-140, 168F



## Model O4LD Series Oil Furnaces

		O4LD	O4LD	O4LD	O4LD
ITEM	DESCRIPTION	140A16R	140A16F	168A16R	168A16F
1	Flue Collar Gasket	OL21994	OL21994	OL21994	OL21994
2	Flue Collector Assy.	Not Used	OL1295B2	Not Used	OL1295B2
2A	Flue Pipe Assy.	OL20597	Not Used	OL20597	Not Used
3	Filter 20 x 25 x 1 Permanent	OL2180024	OL2180024	OL2180024	OL2180024
4	Heat Exchanger Assy.	OL26098S	OL26097S	OL26098S	OL26097S
5	Radiator Cleanout Cover Assy.	OL1061A	OL1061A	OL1061A	OL1061A
6	Pouch Gasket	OL2080175	OL2080175	OL2080175	OL2080175
7	Firepot Bracket Assy.	OL4141185A	OL4141185A	OL4141185A	OL4141185A
8	Air Baffle Angle	OL21425	OL21425	OL21425	OL21425
9	Inner Front Panel Assy.	OL28425	OL28428	OL28425	OL28428
10	Fan & Limit Assy.	OL18002	OL12356	OL18002	OL12356
11	Junction Box	OL21318	OL21318	OL21318	OL21318
12	Plenum Flat Edge	OL21660	Not Used	OL21660	Not Used
12A	Flue Collector Cover	Not Used	OL1297B2	Not Used	OL1297B2
13	Oil Bumer Assy.	OL29592	OL29592	OL29594	OL29594
	Bumer Motor	OL29689	OL29689	OL29689	OL29689
	Oil Pump Cleancut	622090	622090	622090	622090
	Igniter, Solid State	OL29522	OL29522	OL29522	OL29522
	Prmary Control R7184B	OL29664	OL29664	OL29664	OL29664
	Air Tube Combination	OL11986	OL11986	OL20877	OL20877
	Flame Retention Head	OL11961F3	OL11961F3	OL12646F6	OL12646F6
	Nozzle	660641	660641	660647	660647
	Bumer Combustion Wheel	OL18204	OL18204	OL18204	OL18204
14	Bumer Mtg.Plate Assy.	OL1214B	OL1214B	OL1214B	OL1214B
15	Oil Inspection Door Assy.	OL8898A	OL8898A	OL8898A	OL8898A
16	Base Panel Assy,	OL28459	OL28459	OL28459	OL28459
17	Blower Division Panel Assy.	OL28424	OL28427	OL28424	OL28427
18	Blower Access Door Assy.	OL26586N	OL26586N	OL26586N	OL26586N
19	Upper Rear Panel	OL26048N	OL21421N	OL26048N	OL21421N
20	Blower Assy.Direct Drive	OL20643	OL20643	OL20643	OL20643
20A	Blower Housing Assy	OL15011	OL15011	OL15011	OL15011
20B	Blower Wheel	OL26430	OL26430	OL26430	OL26430
20C	Blower Motor	OL26088	OL26088	OL26088	OL26088
20D	Capacitor 10/370	621435	621435	621435	621435
20E	Motor Mtg Band	OL17811	OL17811	OL17811	OL17811
20F	Motor Mtg Arms (3)	OL26251	OL26251	OL26251	OL26251
21	Blower Assy.Belt Drive	Not Used	Not Used	Not Used	Not Used
22	Left Side Panel Assy.	OL28423N	OL28423N	OL28423N	OL28423N
23	Right Side Panel Assy.	OL28422N	OL28422N	OL28422N	OL28422N
25	Baffle & Insulation Retainer	OL21485	OL21485	OL21485	OL21485
26	Firepot Replacement 9200c	OL8823B1	OL8823B1	OL8823B1	OL8823B1
27	Clean-Out Cover	OL3011325A	OL3011325A	OL3011325A	OL3011325A
28	Clean-Out Cover Gasket	OL2080176	OL2080176	OL2080176	OL2080176
29	Right Side Panel Baffle	OL21344	OL21344	OL21344	OL21344
30	Inspection Door Gasket	OL2081055A	OL2081055A	OL2081055A	OL2081055A
31	Front Door Panel	OL21338N	OL21338N	OL21338N	OL21338N
32	Top Front Panel	OL26017N	OL21437N	OL26017N	OL21437N
33	Draft Regulator	OL12240	OL12240	OL12240	OL12240
	Fan Center 57-01V18BC4E231 (not shown)	OL27740	OL27740	OL27740	OL27740
	Fuse.ABC-15 (not shown)	OL2200096	OL2200096	OL2200096	OL2200096
	Fuse Holder (not shown)	OL27089	OL27089	OL27089	OL27089
	Low Speed Switch (not shown)	OL20693	OL20693	OL20693	OL20693
	Bracket Low Speed Switch (not shown)	OL18932	OL18932	OL18932	OL18932

# Blocked Vent Shut-Off System Kits by Oil Furnace Model Number

Oil Furnace Model Number	Oil Furnace SKU	Blocked Vent Shut-Off System Kit	
		Item Number	Nordyne SKU
O4LD-140A-16-R	544100	30674	555661
O4LD-140A-16-F	544101	30686	555666
O4LD-168A-16-R	544102	30674	555661
O4LD-168A-16-F	544103	30686	555666
O4HD-091A-12-F	544104	30685	555665
O4HD-140A-16-FA	544105A	30686	555666
O4MD-091A-12-FA	544106A	30677	555664
O4MD-140A-16-FA	544107A	30676	555663
O4LD-098A-12-R	555624	30675	555662
O4HD-091A-V-F	555646	30685	555665
O4HD-140A-V-F	555647	30686	555666
POF1HD091AVF	555648	30685	555665
POF1HD140AVF	555649	30686	555666

708199B (Replaces 708199A)



708199B