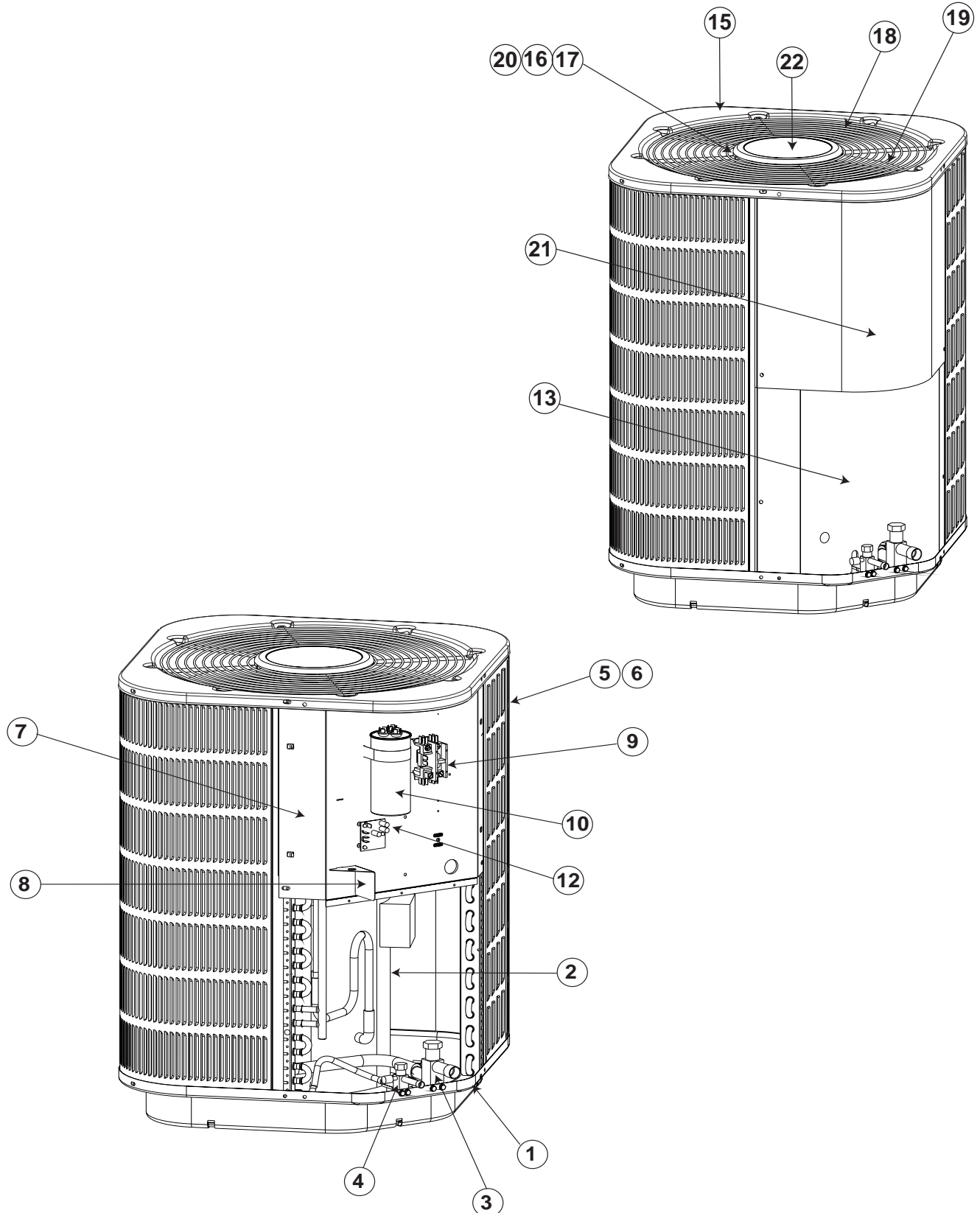


# REPLACEMENT PARTS LIST

## FS3BA-(A,B) Series

10 SEER Residential  
Split System Air Conditioner



# FS3BA-(A,B) Series 10 SEER Residential Split System Air Conditioner

ITEM	DESCRIPTION	Single Phase 208/230										Three Phase 208/230									
		018KA	024KA	030KA	036KA	042KA	048KA	060KA	060KB	036CA	048CA	060CA	060CB	036CA	048CA	060CA	060CB				
1	Bottom Pan	494480	494480	494480	494480	494480	494480	494490	494480	494480	494480	494490	494480	494480	494480	494490	494490				
2	Compressor	912969	912956	912957	914955	912958	917337	914928	914926	913944	917336	914495	913944	917336	914951	914495	914495				
3	Refrigerant Valve (Large)	663864	663864	663864	663864	663864	663865	663865	663865	663864	663865	663865	663865	663865	663865	663865	663865				
4	Refrigerant Valve (Small)	663862	663862	663862	663862	663862	663862	663862	663862	663862	663862	663862	663862	663862	663862	663862	663862				
5	Coil Guard (Formed)	D10391R	D10391R	D10391R	D10391R	D10393R	D10394R	D11234R	D11233R	D10394R	D10391R	D11233R	D10394R	D10394R	D11234R	D11233R	D11233R				
6	Outdoor Coil (Formed)	917387	917387	917388	917389	917391	917390	917390	917390	917389	917389	917390	917389	917389	917390	917390	917390				
7	Control Box	496540	496540	496540	496540	496540	496540	496540	496540	496540	496540	496540	496540	496540	496540	496540	496540				
8	Low Voltage Divider	258790	258790	258790	258790	258790	258790	258790	258790	258790	258790	258790	258790	258790	258790	258790	258790				
9	Contact	621661	621661	621661	621661	621661	621661	621662	621662	621662	621662	621662	621662	621662	621662	621662	621662				
10	Capacitor	620780	620777	620762	620779	620765	620888	621466	621906	621433	621434	621433	621433	621434	621433	621433	621433				
11	Capacitor Strap	258781	258781	258781	258780	258780	258780	258780	258780	258780	258780	258780	258780	258782	258782	258782	258782				
12	Anti Short-Cycle Timer	621586	621586	621586	621586	621586	621586	621586	621586	621586	621586	621586	621586	621586	621586	621586	621586				
13	Access Panel	374270	374270	374270	374270	374272	374273	374273	374272	374272	374273	374272	374272	374273	374273	374273	374272				
14	Snap Bushing (Not Shown)	631323	631323	631323	631323	631323	631323	631323	631323	631323	631323	631323	631323	631323	631323	631323	631323				
15	Top Pan	496161	496161	496161	496161	496161	496161	496161	496162	496161	496161	496162	496161	496161	496161	496162	496162				
16	Condenser Motor (42 Frame)	621865	621865	621864	621864	621864	Not Used	Not Used	Not Used	Not Used	Not Used	Not Used	Not Used	Not Used	Not Used	Not Used	Not Used				
	Cond Motor (42 Frame) Note 1	621919	621919	621918	621918	621918	Not Used	Not Used	Not Used	Not Used	Not Used	Not Used	Not Used	Not Used	Not Used	Not Used	Not Used				
	Condenser Motor (48 Frame)	621634	621634	621856	621856	621856	621827	621306	621912	621856	621827	621306	621856	621827	621306	621912	621912				
	Condenser Motor (48 Frame) Note 1	621634	621634	621856	621856	621856	621917	621912	621912	621856	621917	621912	621856	621917	621912	621912	621912				
17	Fan Blade	667261	667261	667261	667262	667262	667309	667212	667212	667262	667309	667212	667262	667309	667212	667212	667212				
18	Fan Grill	669201	669201	669201	669201	669201	669201	669201	669202	669201	669201	669202	669201	669201	669201	669202	669202				
19	Motor Wire Conduit	258950	258950	258950	258950	258950	258950	258950	258950	258950	258950	258950	258950	258950	258950	258950	258950				
20	Nut, Acorn	606260	606260	606260	606260	606260	606260	606260	606260	606260	606260	606260	606260	606260	606260	606260	606260				
21	Control Box Cover	374260	374260	374260	374260	374260	374260	374260	374260	374260	374260	374260	374260	374260	374260	374260	374260				
22	Top Cap	175740R	175740R	175740R	175740R	175740R	175740R	175740R	175740R	175740R	175740R	175740R	175740R	175740R	175740R	175740R	175740R				

Note 1- Changed 06/01/01  
Specify Model No. and Serial No. along with the exact part number(s) when ordering parts from the nearest authorized Dealer or Service Center.



708148

7081480 (Replaces 7079850)

Specifications and illustrations subject to change without notice and without incurring obligations. Printed in U.S.A. (06/02)