

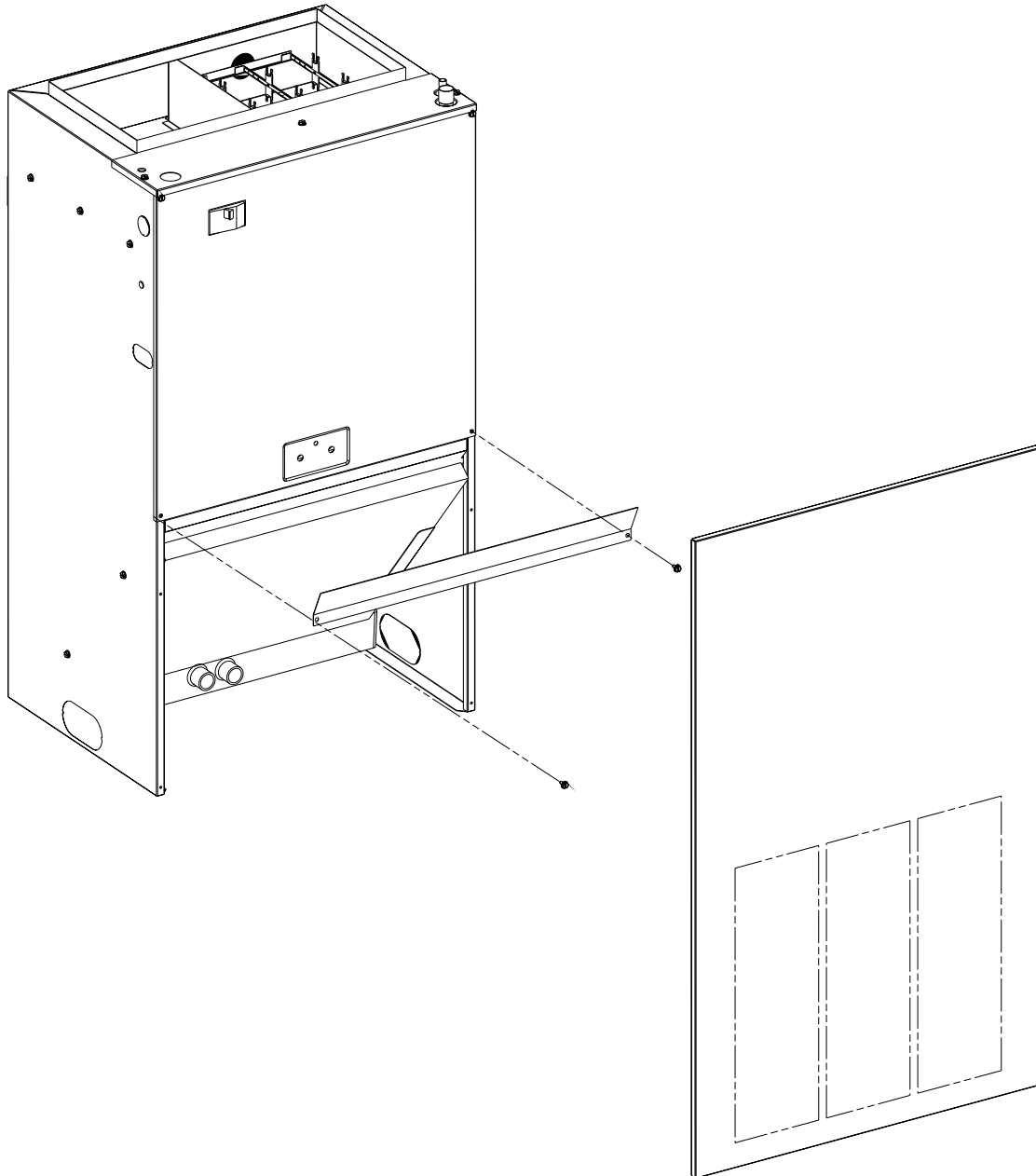
Wall Mount Air Handler

Installation Instructions

Louvered Panel Accessory, Vertical Wall Mount Air Handler (903892)

This louvered panel accessory is designed to be used to cover the wall-mount Air Handler in installations where the Air Handler is mounted flush with the wall surface.

1. Remove the (2) lower screws on the upper access panel.
2. Attach the door mounting bracket to the Air Handler with the (2) screws removed in step 1.
3. Slide the louvered panel on the front of the Air Handler until the mounting brackets interlock. The panel should be flush with the wall surface.



7080700

