

For C1BA or C2BA Cased Coils

Installation Instructions

C1 to C3 Conversion Kits for Upflow or Downflow Applications (B & C width only)

DESCRIPTION

These instructions are primarily intended to assist qualified individuals in the proper installation of this appliance. Some local codes require licensed installation/service personnel for this type of equipment. Read all instructions carefully before starting the installation.

INTRODUCTION

This kit is designed to allow the conversion from a C1 coil to a C3 coil in C1BA or C2BA Cased Coils (B & C width only), applied in either an upflow or downflow configuration.

Table 1 shows the correct application of the available C3 coils and conversion kits for the upflow & downflow B & C width units.

Model #	C1 Cased Coil Unit Sku #	C3 Coil Sku #	C1 to C3 Conversion Upflow & Downflow Kit Part #			
			914735	914736	914737	914738
C1BA-024C-B	912865	914400	X			
C1BA-030C-B	912866	914401	X			
C1BA-036C-B	912867	914402	X			
C1BA-042C-B	912868	914403	X			
C1BA-048C-B	912869	914405		X		
C1BA-042C-C	912974	914404			X	
C1BA-048C-C	912975	914406			X	
C1BA-060C-C	912870	914407				X
C1BA-066C-C	913360	914408				X

Model #	C2 Cased Coil Unit Sku #	C3 Coil Sku #	C1 to C3 Conversion Upflow & Downflow Kit Part #			
			914735	914736	914737	914738
C2BA-024C-B	913889	914400	X			
C2BA-030C-B	913890	914401	X			
C2BA-036C-B	913891	914402	X			
C2BA-042C-B	913892	914403	X			
C2BA-048C-B	913893	914405		X		
C2BA-042C-C	913894	914404			X	
C2BA-048C-C	913895	914406			X	
C2BA-060C-C	913896	914407				X
C2BA-066C-C	913897	914408				X

Table 1

Table 2 shows the list of parts your kit should include.

Description	Qty.
Bottom Conversion Baffles	2
Coil Access Door	1
Screws #10 x 0.50, self-tapping	6
Tube Close Off Plate	1
Split Bushing (Plastic), small	1
Split Bushing (Plastic), large	1
Tube Close-Off Insulation Gasket (EVA Foam)	1
Front, Cabinet Tie/Duct Flange	1

Table 2

PROCEDURE

- 1) Remove C1 coil from coil case.
- 2) For C2BAs screw the front cabinet tie/duct flange to the case coil cabinet. Use self-tapping screws to screw it on at the front of the left and right duct flanges. This will make a duct collar flange across the front of the unit and stabilize the unit sides so they will hold their shape during the rest of the installation.
- 3) Place the bottom conversion baffles into the bottom left and right sides of the coil case. The 1/2" flange angles should sit in the channels along the perimeter of the coil case bottom air opening. The base of the coil will rest on and seal against the large 2" flanges. (See Figure 1.)
- 4) Slide the coil into the cabinet.

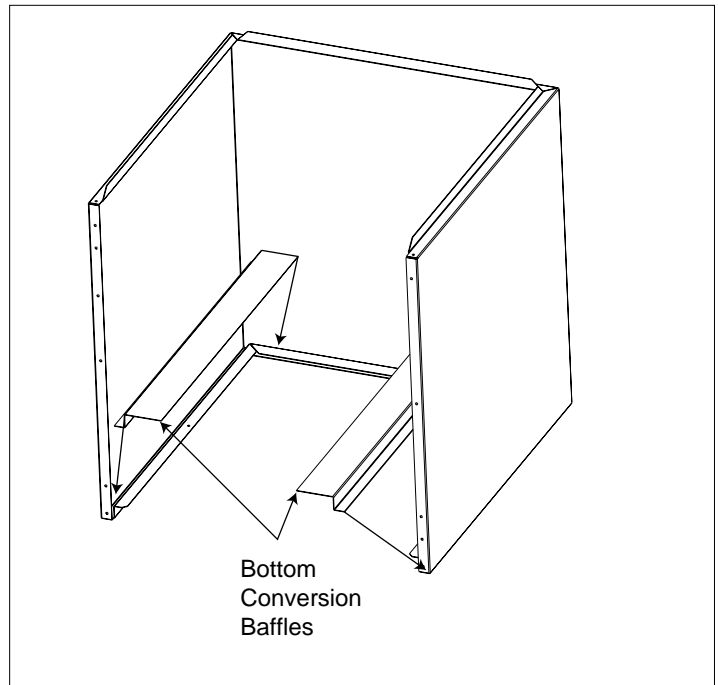


Figure 1

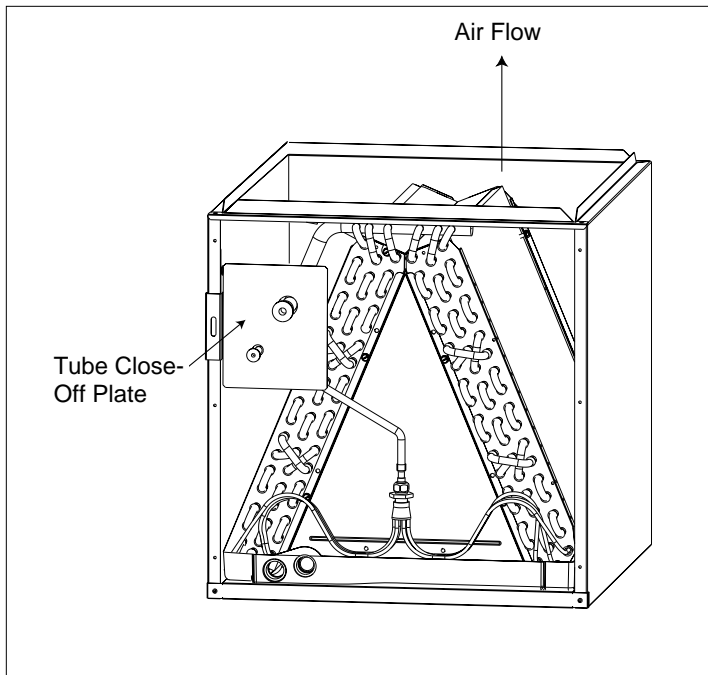


Figure 2.

- 5) Place the tube close-off plate over the suction and liquid headers and screw onto the front cabinet rail. (See Figure 2.)
- 6) Replace the new door with the old door using the self tapping screws where necessary.

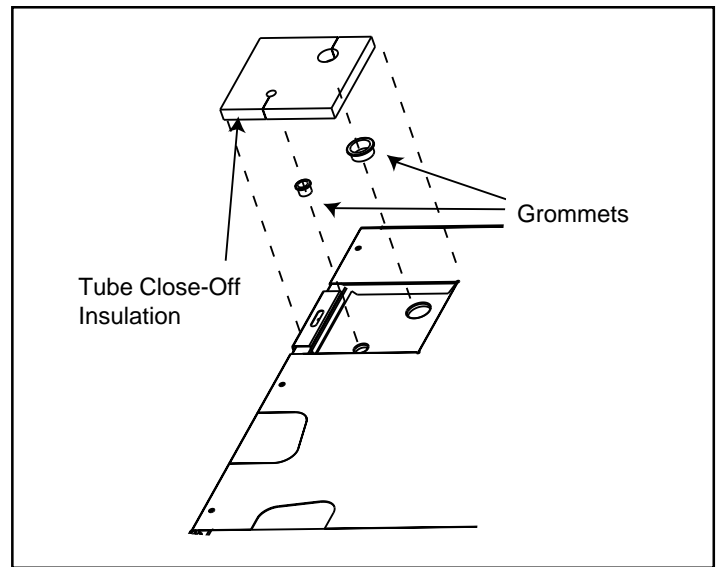


Figure 3. Placement of Grommets and Tube Close-Off Insulation (Line Set Tubing Not Shown for Clarity)

- 7) After making all necessary connections and properly charging the system:
 - a. Pull the line set tubing insulation away from the connection locations, at the front of the unit, if necessary.
 - b. Place the large and small plastic grommets over the suction and liquid tubes respectively.
 - c. Press the grommets into the tube close-off plate so they snap in place between the tube close-off plate holes and the copper tubes.
 - d. Place the tube close-off insulation gasket over the tubes and press onto the tube close-off plate so it sits in the recessed area. (See Figure 3.)