

For B1BM/B1VM

# Installation Instructions

## C1 to C3 Conversion Kits for Upflow or Downflow Applications (B & C width only)

### DESCRIPTION

These instructions are primarily intended to assist qualified individuals in the proper installation of this appliance. Some local codes require licensed installation/service personnel for this type of equipment. Read all instructions carefully before starting the installation.

### INTRODUCTION

This kit is designed to allow the conversion from the C1 coil to a C3 coil in B1BM and B1VM units (B & C width only), applied in either an upflow or downflow position.

**NOTE:** For downflow configured units the downflow adaptor rack for the C1 coil must be replaced with a new downflow adaptor rack kit for the C3 coil.

### PROCEDURE

- 1) Remove C1 Coil From B1 unit
- 2) For downflow configurations:
  - a. Remove the C1 downflow adaptor rack.
  - b. Replace with the C3 downflow adaptor rack as per the instructions supplied with that kit.
- 3) For upflow configurations place the rear latch deflector over the back edge of the vertical drain pan on the back of the C3 coil assembly. The notch on the rear latch deflector will go over the semicircular notch on the inside of the drain pan edge. (See Figure 1.)

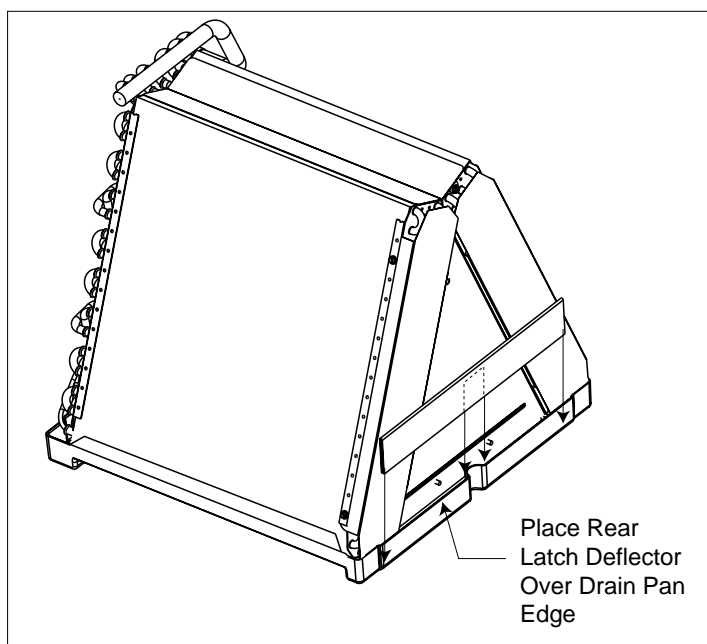


Figure 1

- 4) Slide the coil into the cabinet. The coil should snap into place for upflow configurations.
- 5) Place the tube close-off plate over the suction and liquid headers and screw onto the front cabinet rail. (See Figure 2.)
- 6) Replace the old door with the new door using the self-tapping screws where necessary.
- 7) After making all necessary connections and properly charging the system:
  - a. At the front of the unit pull the line set tubing insulation away from the connection locations, if necessary.
  - b. Place the larger and smaller plastic grommets over the suction and liquid tubes respectively.
  - c. Place the tube close-off insulation gasket over the tubes and press onto the tube close-off plate so that it seats in the recessed area at that location.

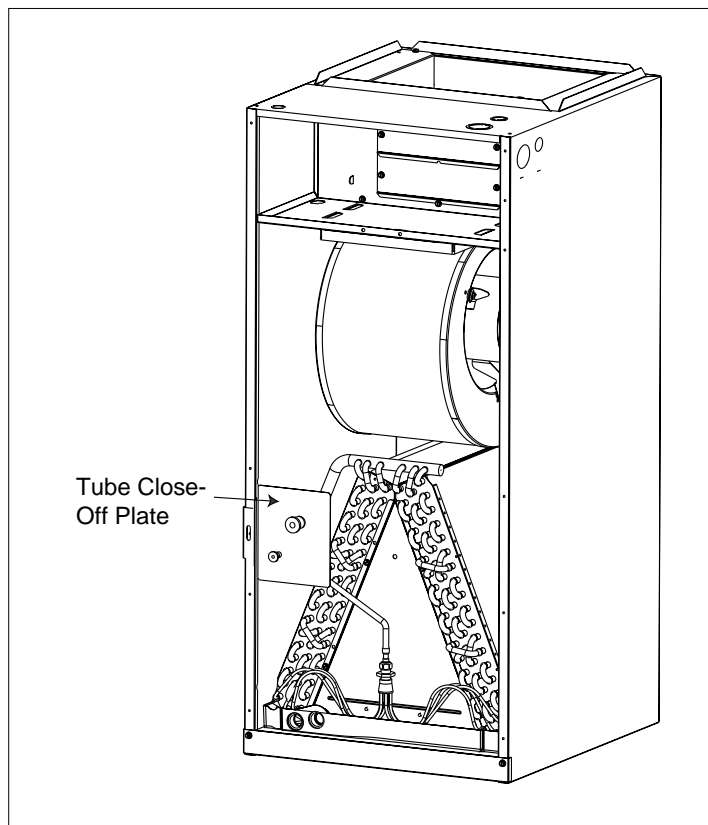


Figure 2. (Shown for upflow)

INSTALLER: PLEASE LEAVE  
THESE INSTALLATION  
INSTRUCTIONS WITH THE  
HOMEOWNER

