

Accessory Kit

Installation Instructions

Model LLS Liquid Line Solenoid Kits

This accessory kit may be used with NORDYNE Split System Air Conditioners and Heat Pumps matched with stand-alone coils or air handlers. The purpose of this kit is to retain refrigerant liquid in the high side of the system after the unit shuts off.

NOTE: This kit consists of a properly sized liquid solenoid valve and a check valve pre-assembled and ready to install in the liquid line. It is recommended that this kit be installed indoors close to the evaporator. The kit may be installed outside provided that a rain-tight enclosure is used. Recommended installation is in a horizontal line with the solenoid valve coil located directly on top of the valve. The valve may be installed in any position as long as the coil assembly is never lower than the center line of the valve body. A start assist kit may be required to assist compressor starting when this kit is installed.

⚠ WARNING:

Improper installation may damage equipment and may create a hazard. Persons not qualified for proper installation and operation of this equipment should not interpret these instructions or install this kit.

INSTALLATION SEQUENCE

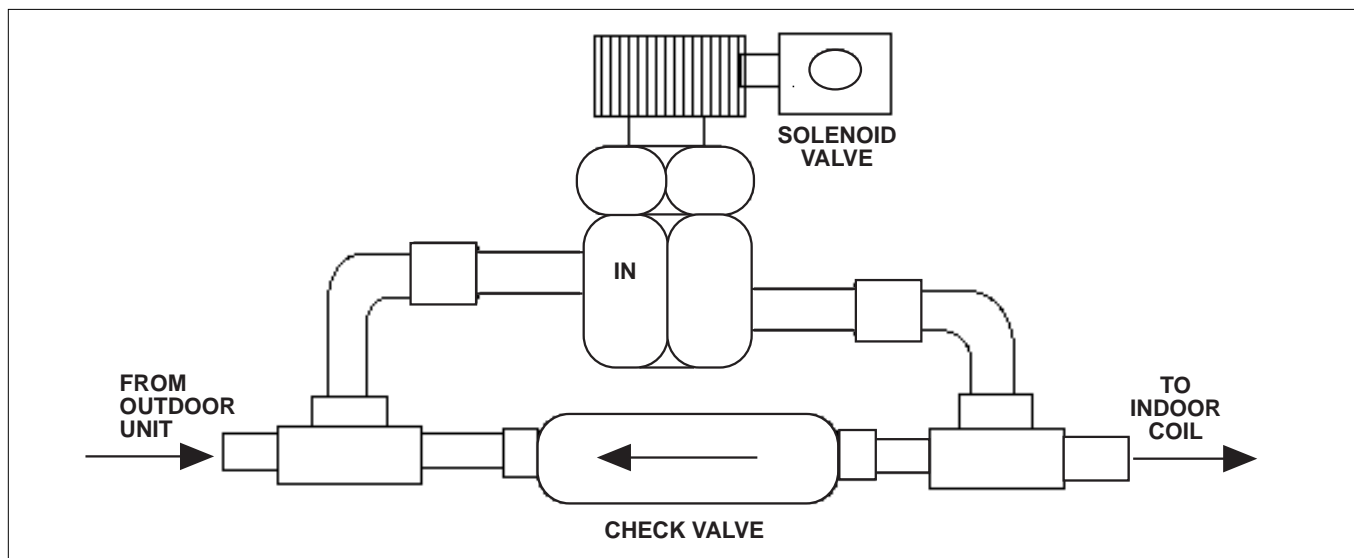
1. Reasonable precautions must be observed when brazing this kit. Torch flame should be directed away from valve body.
2. After evacuating refrigerant charge from the system, cut liquid line and install kit as shown below. Care must be taken to install valve in proper direction of refrigerant flow.
3. Evacuate and recharge the system.

ELECTRICAL CONNECTIONS

All electrical wiring performed in the field must conform to the National Electrical Code (NEC) as well as all local codes.

The solenoid coil is rated for a 24 vac, 50 - 60 Hz power source. This coil must be energized every time the unit contactor is energized. Connect coil leads to the "common" terminal and the "Y" terminal on the indoor or the outdoor low voltage terminal board.

A transformer with higher VA rating may be required for the equipment in which this kit is used. Refer to the installation instructions supplied with the valve for further information.



707033A (Replaces 7070330)

Specifications and illustrations subject to change without notice and without incurring obligations. Printed in U.S.A. (10/93)