

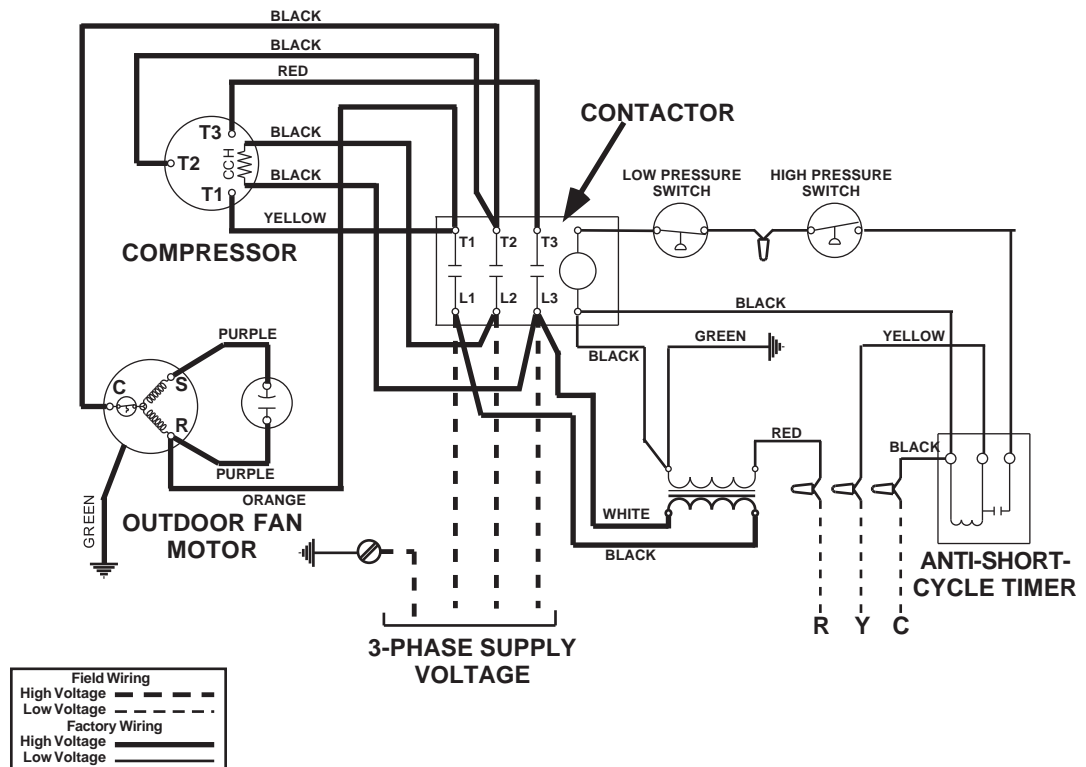
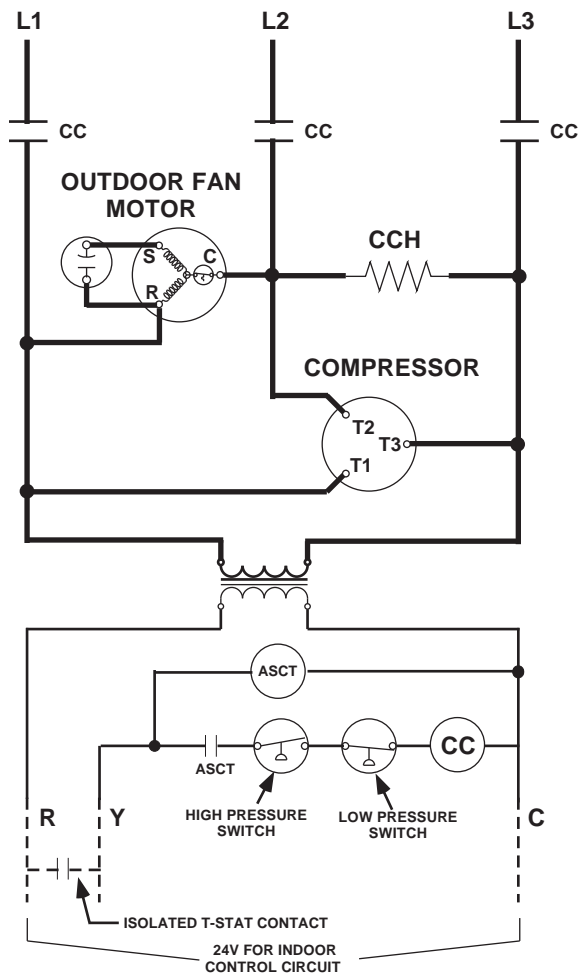
WIRING DIAGRAM

Split System Air Conditioner (Outdoor Section)

Three Phase

- Notes:**
- 1) Disconnect all power before servicing.
 - 2) For supply connections use copper conductors only.
 - 3) Furnace/Air Handler w/factory equipped 24 V control circuit transformers, should be modified/rewired to ONLY use 24V transformer from outdoor section. See installation instructions for typical modifications.
 - 4) For replacement wires use conductors suitable for 105° C.
 - 5) For ampacities and overcurrent protection, see unit rating plate.

- 1) Couper le courant avant de faire leretien.
- 2) Employez uniquement des conducteurs en cuivre.



©703977Vα

7039770