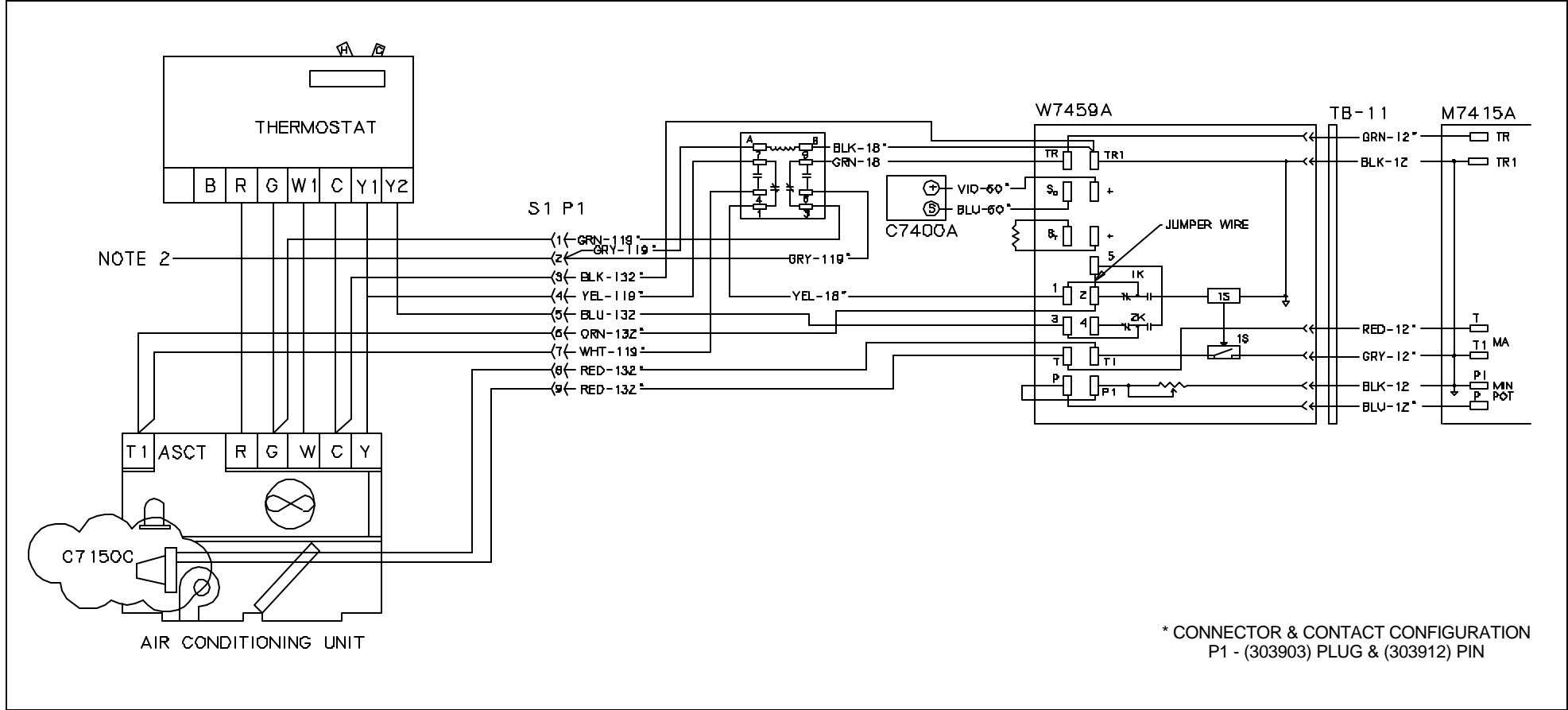


MATERIALSLIST		
QTY.	RSI PART#	DESCRIPTION
276"	303000	Wire 18 Ga. Red
149"	303001	Wire 18 Ga. Green
60"	303002	Wire 18 Ga. Vio let
132"	303003	Wire 18 Ga. Yel low
174"	303004	Wire 18 Ga. Black
119"	303005	Wire 18 Ga. White
204"	303006	Wire 18 Ga. Blue
132"	303007	Wire 18 Ga. Orange
250"	303008	Wire 18 Ga. Gray
1	303100	#1/HW Mo tor
1	303101	Logic Module
1	303103	Mixed Air Sen sor
1	303140	Enthalpy Control
1	303402	Re lay DPDT
1	303510	TB- 11 Board
1	303604	Male ¼" Push On Adap tor
23	303605	Fe male ¼" Quick Disc. (Red)
5	303607	Fe male ¼" Quick Disc. (Red)
1	303616	Fe male ¼" Quick Disc. (Blue)
10	303620	Wire Ties 3/4" L
1	303903	AMP 9 Cir Plug Conn Male
8	303912	AMP Pin Con tact Male

HARNESS DETAIL	COMPONENT CODE	WIRE COLOR CODE
<b>E# = WIRE END DESIGNATION</b> E2 STUD #6 18 Ga. Wire E3 Female ¼ Quick Disc. E4 Male ¼ Quick Disc. Insul E6 Wire Nut Size 73B E7 Raw End E8 Female ¾ Quick Disc.	C7400A Fresh Air Sensor M7415A Damper Actuator 24v C7150C Mixed Air Sensor W7459A Logic Module P1 Economizer Plug S1 Unit Economizer Plug TB-11 Terminal Board	BLK Black BLU Blue GRN Green GRY Gray ORN Orange RED Red VIO Violet WHT White YEL Yellow

**HARNESS ENDS AT P1**



\* CONNECTOR & CONTACT CONFIGURATION P1 - (303903) PLUG & (303912) PIN

- Notes:
- Unit wir ing shown as ref er ence only. Check unit wir ing for ac tual unit wir ing.
  - Connection: "R4" units: Yel low side of gas valve  
"P4" units: "W" on A/C unit  
"Q4" units: "B" on in door ther mo stat sub- base.
  - Y2 must be en er gized for the com pres sor to op er ate dur ing econo mizer op era tion.

**Horizontal Modulating Economizer**  
R4GA/GC 024- 060 P4SA/SC Q4SA/SC 036-060

Roof top Systems, Inc. 2405 Mclver Lane Car roll ton, Texas 75006 Phone (972) 247- 7447 Fax (972) 243- 0940	Date: Janu ary 14, 2002 Supercedes: 01-10-02 Drawn by: Unit# 47-324-06 Diagram# 32406W
---	--